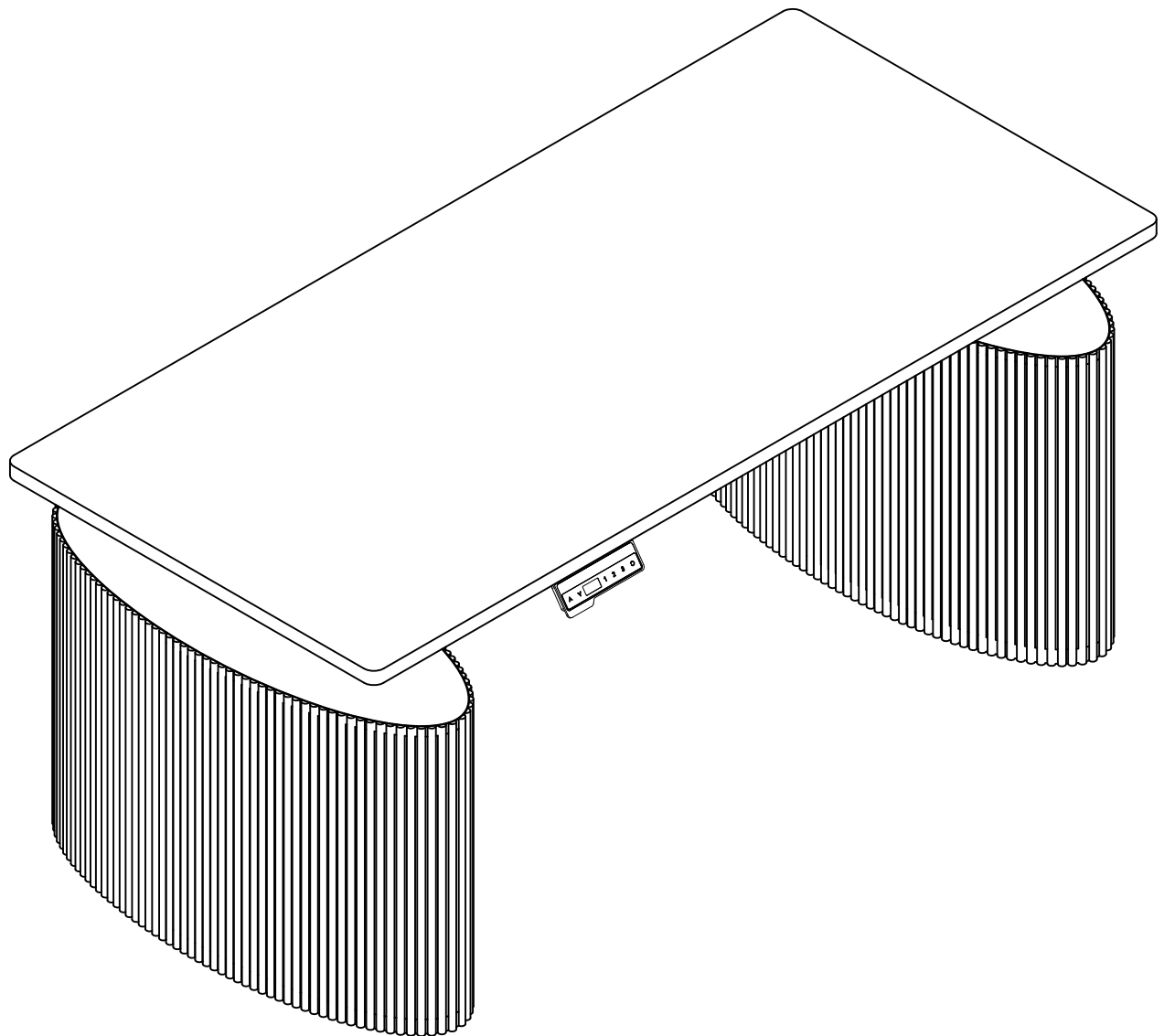


Assembly Instructions

Willy Series



Lifely*

Product Code

WILY-ED160-BLK

Willy Electric Height Adjustable Office Desk

Dimensions(W x D x H)

1600*800*727mm

Important

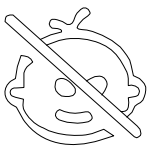
Please read through instruction carefully

Before assembly and keep for future reference.

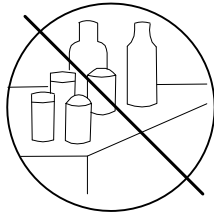
For our full catalogue of assembly instructions,

Visit: lifely.com.au/assembly.

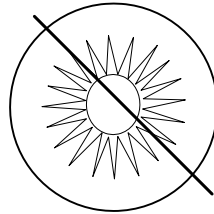
Important Tips and Maintenance



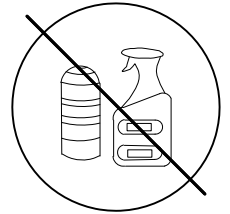
1. Keep children and animals away from working area as smaller parts may cause choking if swallowed.



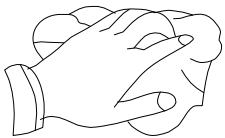
2. Never place liquids or anything damp upon furniture as it will mark. Ensure a coaster or running is beneath.



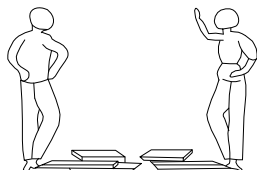
3. To avoid fading, keep furniture out of direct sunlight.



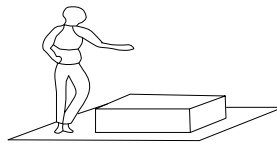
4. Never use ammonia based cleaning products as it will damage the finish.



5. Use a soft or dry cloth when wiping or cleaning surfaces.



6. Two person are required.



7. Lay a soft matt down to protect the furniture piece before and during assembly.

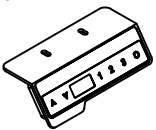
So your relationship is strong. But is it flat-pack furniture strong? Unless you're an aerospace engineer, assembling furniture can be slightly stressful. We recommend meditating quietly, pouring yourself a herbal tea (or slightly less herbal wine) and tackling things one step at a time. If you feel a passive aggressive remark coming on, try a compliment instead. E.g. "You're so good looking."

This 5-step assembly should take around 25 minutes with an Allen key-or 15 minutes with an electric drill.

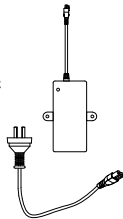
Designed for everyday

Component Hardware are in box one.
Please check you have all the fittings
part or tools are listed in below.

No. A
Quantity:1 Pc
Controller



No. B
Quantity:1 Pc
Power Plug
100-240V



No. C
Quantity:14 Pcs
Screw Bolts
M6*25mm



No. D
Quantity:10 Pcs
Screw Bolts
M8*55mm



No. E
Quantity:4 Pcs
Screw
Ø3.5*14mm



No. F
Quantity:10 Pcs
EVA Pad
Ø25mm



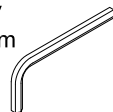
No. G
Quantity:1 Pc
Key
5mm



No. H
Quantity:1 Pc
Key
4mm



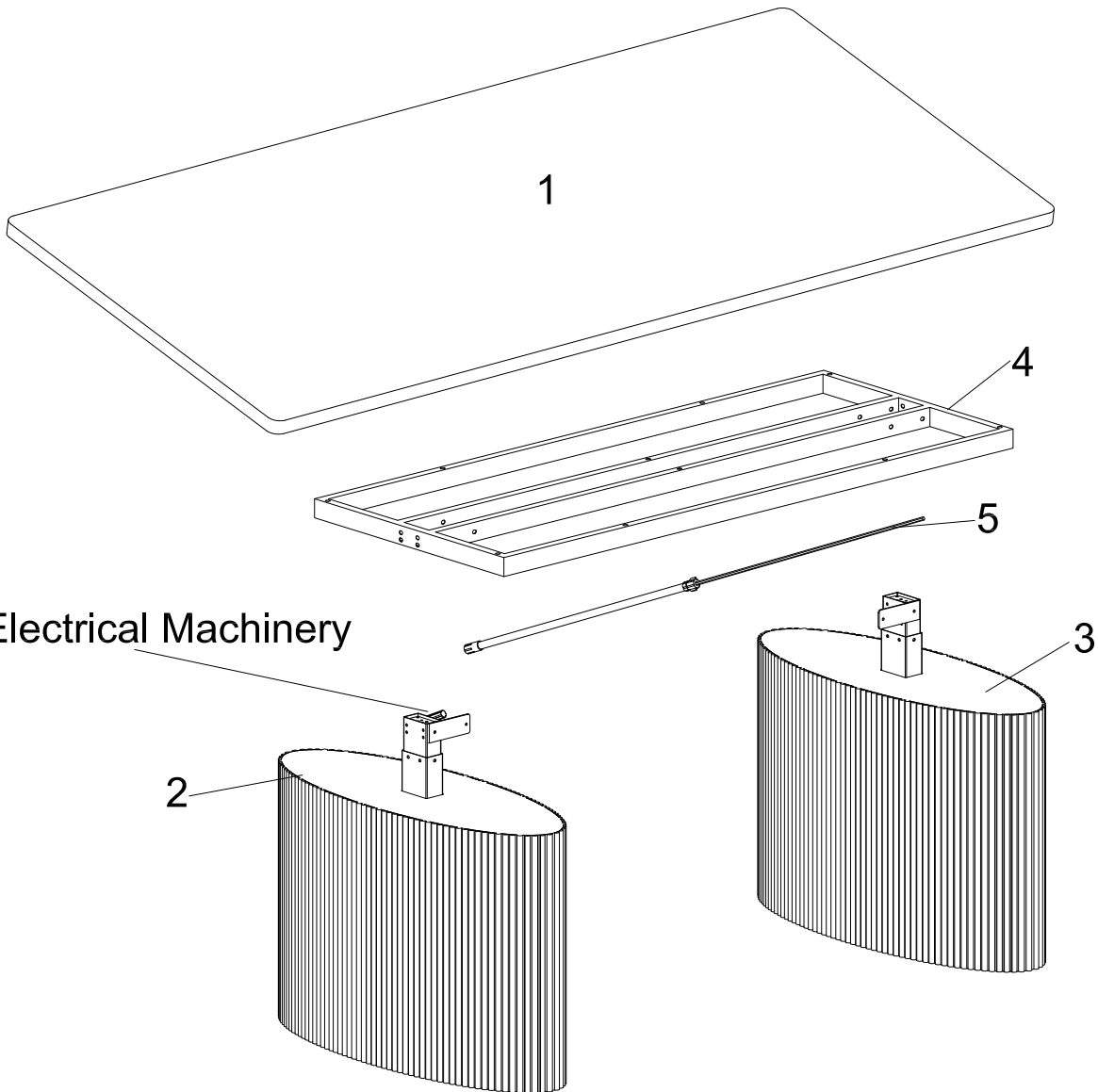
No. I
Quantity:1 Pc
Key
5mm



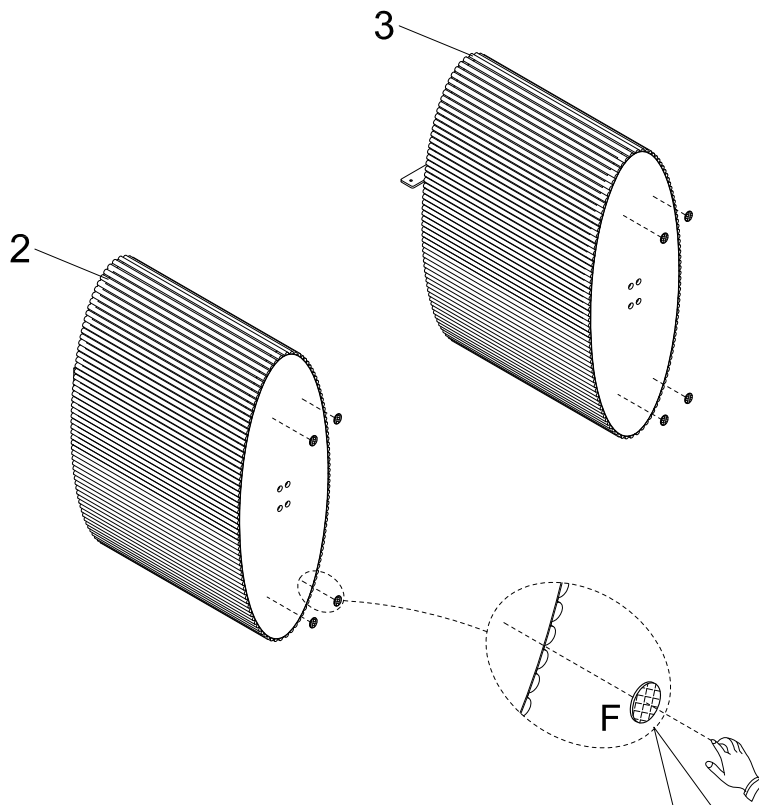
Component Panels & part List

Please check you have all the panels
are listed below.

- 1. Top Panel----- x1 CTN 1/3
- 2. Leg-L ----- x1 CTN 3/3
- 3. Leg-R ----- x1 CTN 2/3
- 4. Metal Frame----- x1 CTN 1/3
- 5. Transfer Rod----- x1 CTN 1/3



STEP 1

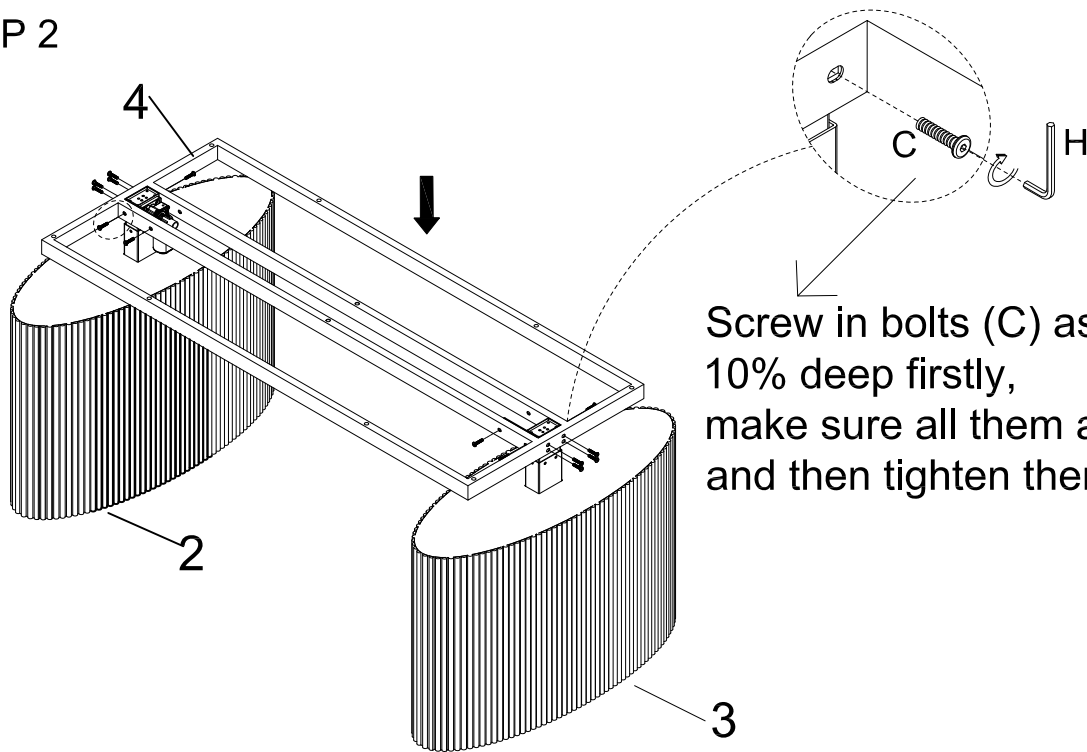


No. F
Quantity:10 Pcs



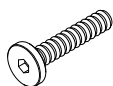
If the bottom is uneven,
please add one more
pads to adjust.

STEP 2

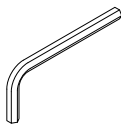


Screw in bolts (C) as shown by
10% deep firstly,
make sure all them are seated,
and then tighten them one by one.

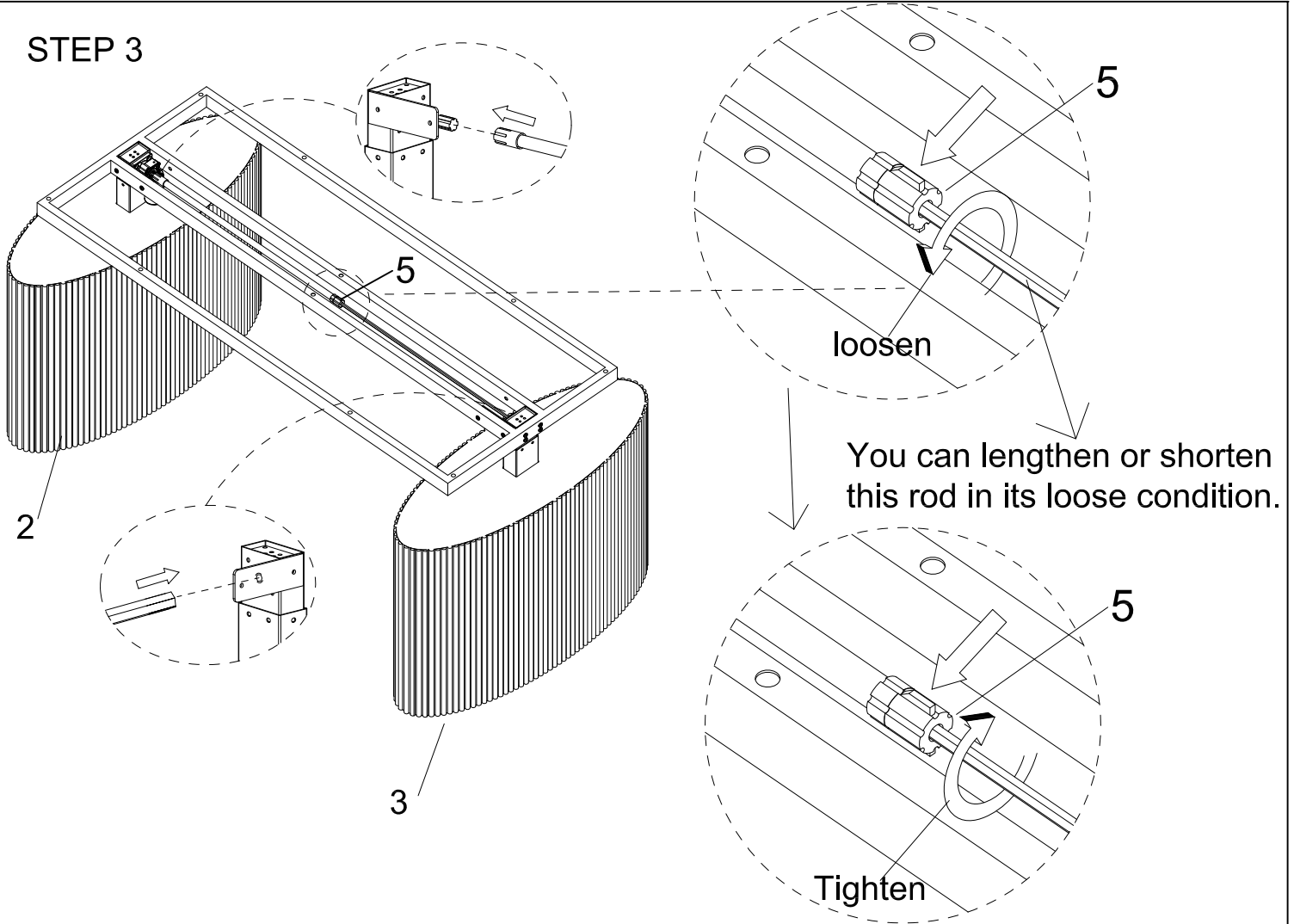
No. C
Quantity:14 Pcs



No. H
Quantity:1 Pc

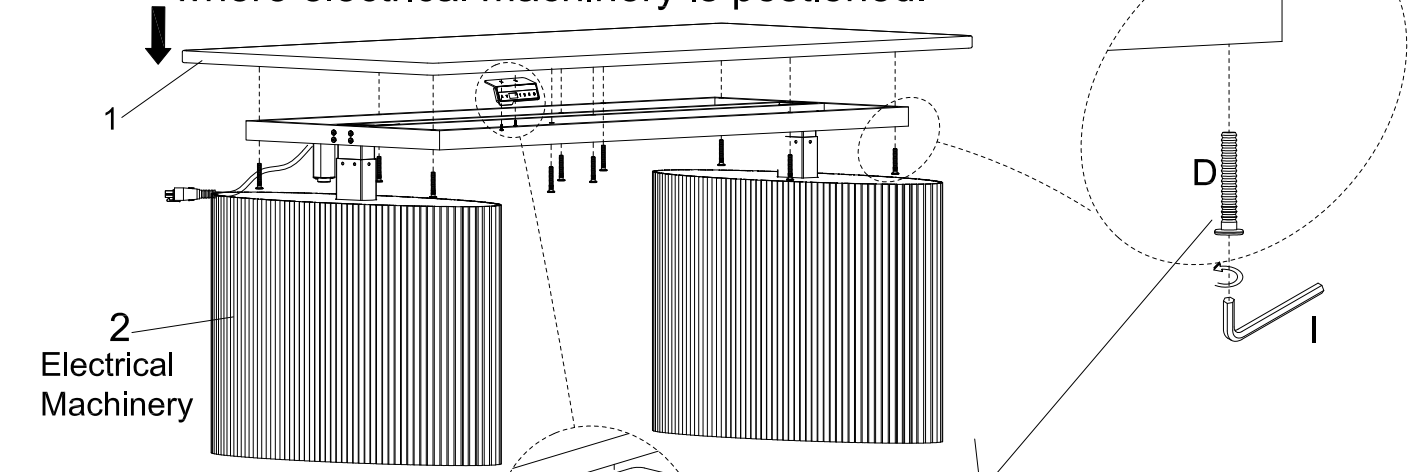


STEP 3

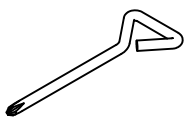


STEP 4

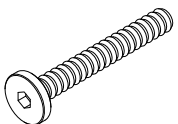
Controller must be assembled on the end as shown where electrical machinery is positioned.



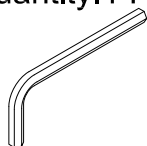
No. G
Quantity: 1 Pc



No. D
Quantity: 10 Pcs



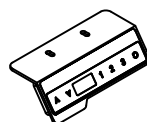
No. I
Quantity: 1 Pc



No. E
Quantity: 2 Pcs



No. A
Quantity: 1 Pc



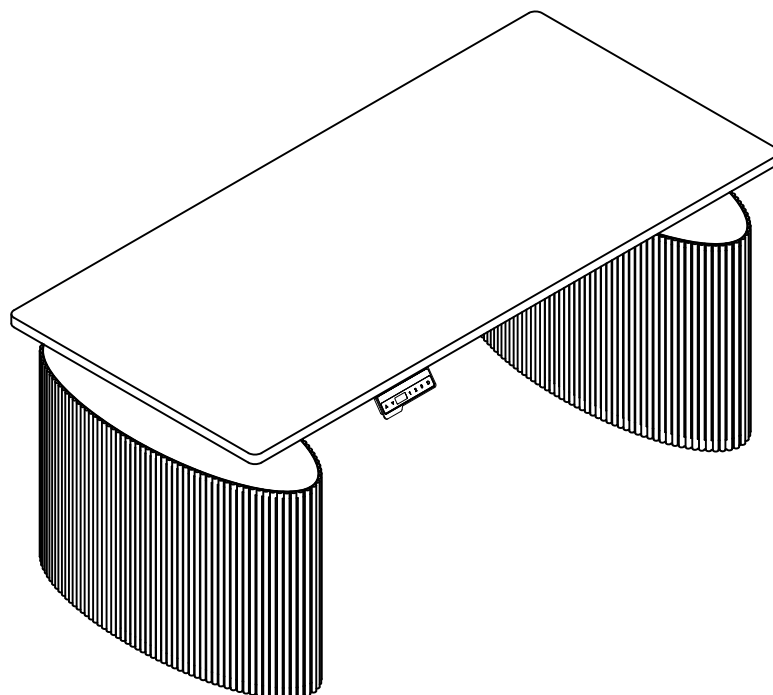
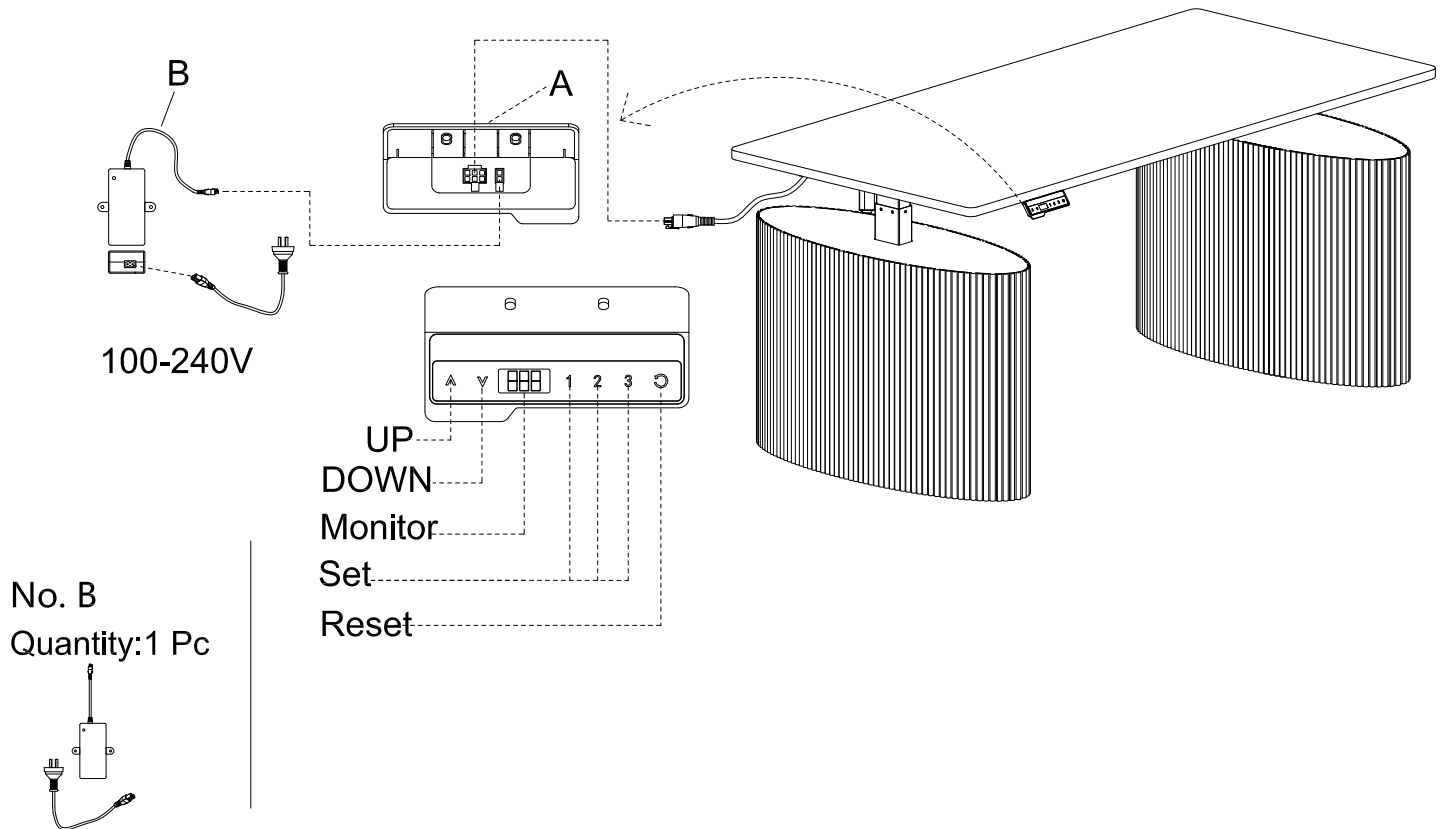
Screw in bolts (D) as shown by 10% deep firstly, make sure all them are seated, and then tighten them one by one.

STEP 5

Height recording: This controller can record three heights by numbers 1, 2, and 3. Press down 'Up or Down' key until tabletop goes to the desired height, and then hold down number 1 key until the indicator flickers. Now you are done with the 1st height recording. Repeat this procedure for the 2nd height recording and the 3rd height recording.

Set height running: Press a number, the indicator shows recorded height, and tabletop goes to the recorded height automatically. Abort it by pressing any key in the middle.

Reset to factory value: Hold down RST key for three seconds until the indicator flickers with '---'. Controller goes into reset mode, tabletop will go down to the lowest position and come back by 3-5mm, then done resetting.



lifely.com.au

Great job. You're done!

Don't forget to share how it looks in
your space and tag us on Instagram.

@lifelyhome #homewithlifely!