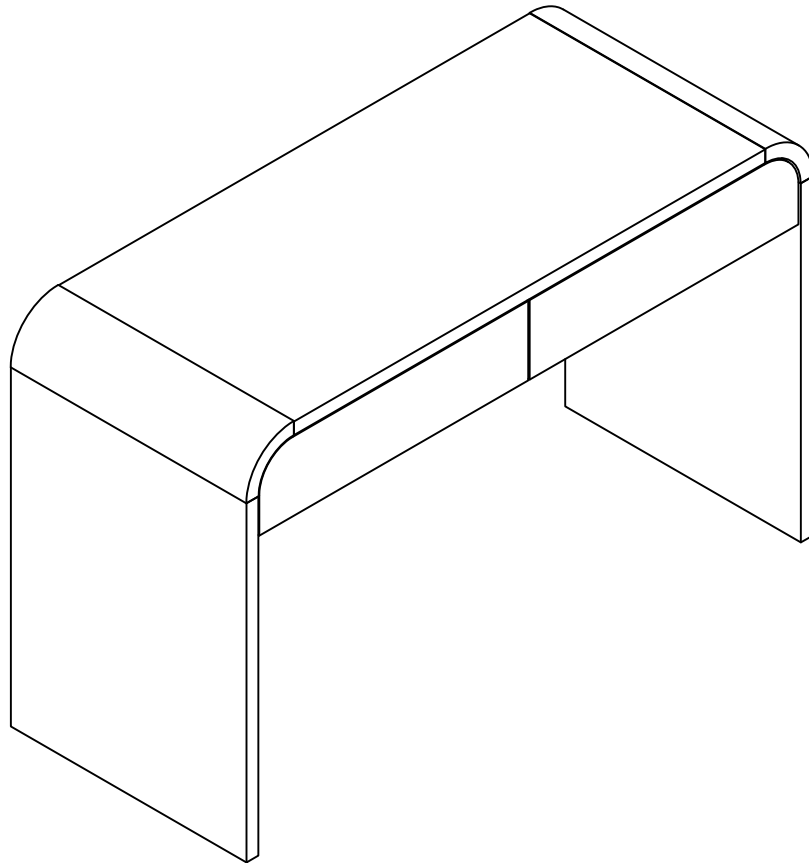


Assembly Instructions

Odeon Series



Lifely*

Product Code

ODEN-D120-OAK Desk

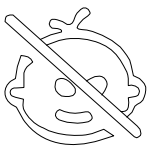
Dimensions(W x D x H)

1200*500*760mm

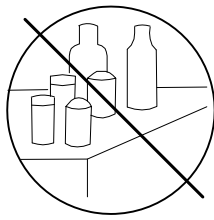
Important

Please read through instruction carefully
Before assembly and keep for future reference.
For our full catalogue of assembly instructions,
Visit: lifely.com.au/assembly.

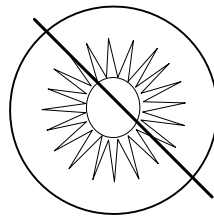
Important Tips and Maintenance



1. Keep children and animals away from working area as smaller parts may cause choking if swallowed.



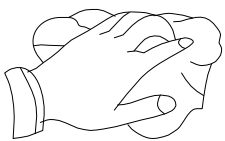
2. Never place liquids or anything damp upon furniture as it will mark. Ensure a coaster or running is beneath.



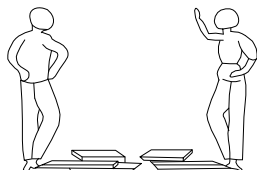
3. To avoid fading, keep furniture out of direct sunlight.



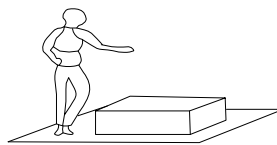
4. Never use ammonia based cleaning products as it will damage the finish.



5. Use a soft or dry cloth when wiping or cleaning surfaces.



6. Two person are required.



7. Lay a soft matt down to protect the furniture piece before and during assembly.

So your relationship is strong. But is it flat-pack furniture strong? Unless you're an aerospace engineer, assembling furniture can be slightly stressful. We recommend meditating quietly, pouring yourself a herbal tea (or slightly less herbal wine) and tackling things one step at a time. If you feel a passive aggressive remark coming on, try a compliment instead. E.g. "You're so good looking."

This 11-step assembly should take around 45 minutes with an Allen key-or 30 minutes with an electric drill.

Designed for everyday

Component Hardware CTN 1/2
Please check you have all the fittings
part or tools are listed in below.

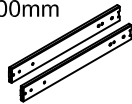
No. A
 Quantity:36 Pcs
 Cam
 Ø15*12mm



No. B
 Quantity:36 Pcs
 Cam Lock Dowel
 Ø7*25



No. C
 Quantity:2 Sets
 L=300mm



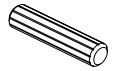
No. D
 Quantity:8 Pcs
 Screw
 Ø4*35mm



No. E
 Quantity:26 Pcs
 Screw
 Ø3.5*14mm



No. F
 Quantity:11Pcs
 Wooden Dowel
 Ø8*30mm



No. G
 Quantity:8 Pcs



No. H
 Quantity:8 PcS
 Nut
 M8



No. I
 Quantity:8 PcS
 Screw
 M8*70



No. J
 Quantity:4 Pcs
 EVA Pad
 Ø15mm



No. K
 Quantity:36Pcs
 Cover
 Ø20mm



No. L
 Quantity:8Pc
 Cover
 Ø50mm



No. M
 Quantity:1 Pc
 Key
 5mm



No. N
 Quantity:1 Pc
 Spanner



No. O



L=200mmx2



x2



Ø4*25mmx4

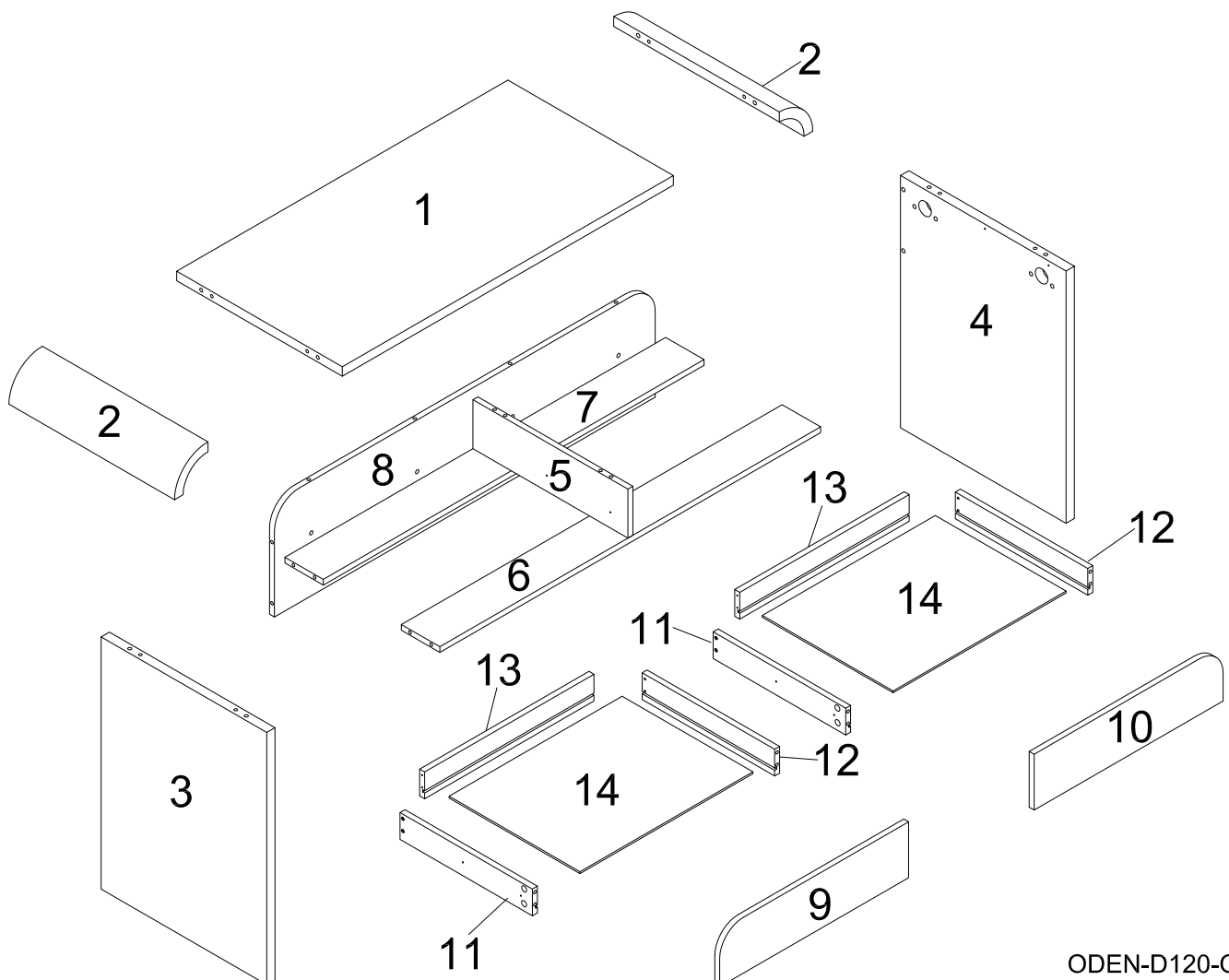


Ø4x4

Component Panels & part List

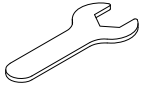
Please check you have all the panels are listed below.

- | | | |
|-------------------------------|----|---------|
| 1. Top Panel----- | x1 | CTN 2/2 |
| 2. Corner----- | x2 | CTN 1/2 |
| 3. Side Panel-Left----- | x1 | CTN 1/2 |
| 4. Side Panel-Right----- | x1 | CTN 1/2 |
| 5. Division Panel----- | x1 | CTN 1/2 |
| 6. Front Supporting----- | x1 | CTN 2/2 |
| 7. Back Supporting----- | x1 | CTN 2/2 |
| 8. Back Panel----- | x1 | CTN 2/2 |
| 9. Drawer Panel-Left----- | x1 | CTN 1/2 |
| 10. Drawer Panel-Right----- | x1 | CTN 1/2 |
| 11. Drawer Side Panel-Left--- | x2 | CTN 1/2 |
| 12. Drawer Side Panel-Right-- | x2 | CTN 1/2 |
| 13. Drawer Back Panel----- | x2 | CTN 1/2 |
| 14. Drawer Bottom Panel----- | x2 | CTN 2/2 |

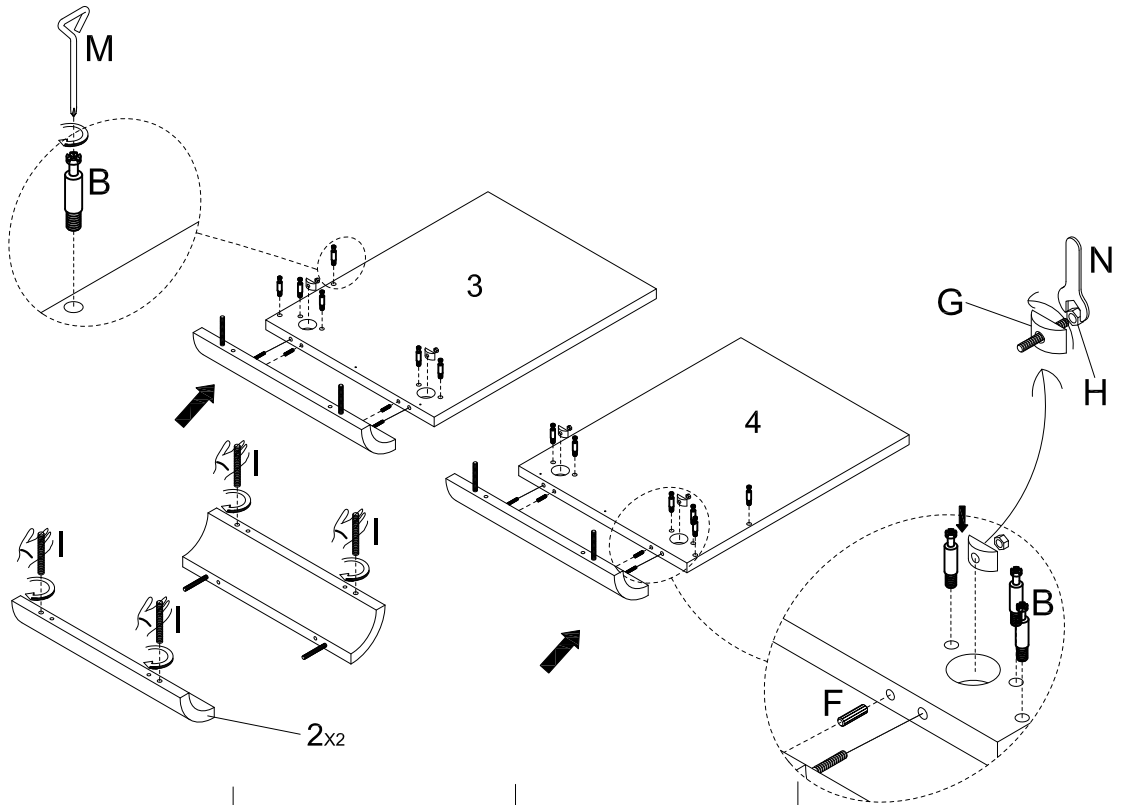
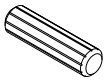


STEP 1

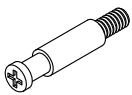
No. N
Quantity:1 Pc



No. F
Quantity:4 Pcs



No. B
Quantity:12 Pcs



No. G
Quantity:4 Pcs



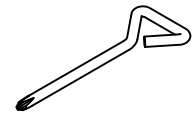
No. H
Quantity:4 Pcs



No. I
Quantity:8 Pcs

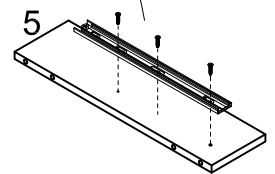
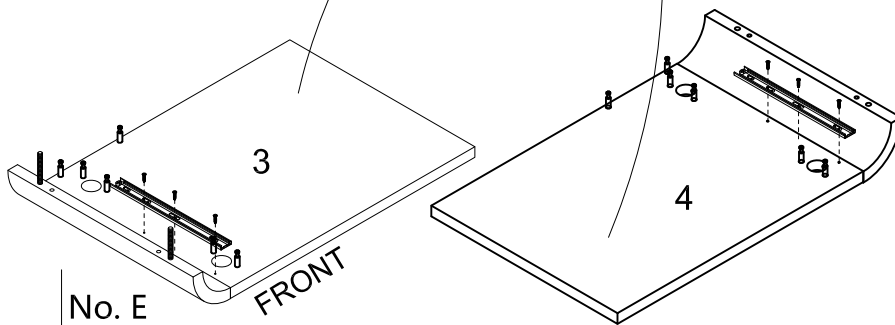
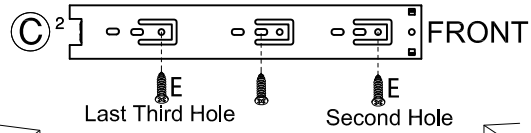
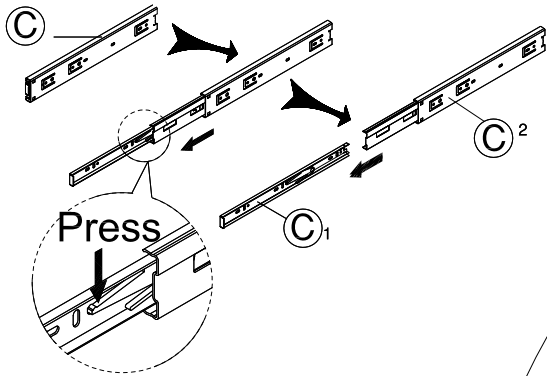


No. M
Quantity:1 Pc

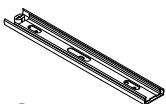


STEP 2

NOTE:Please through the hole in the center.



No. C
Quantity:3 Pcs

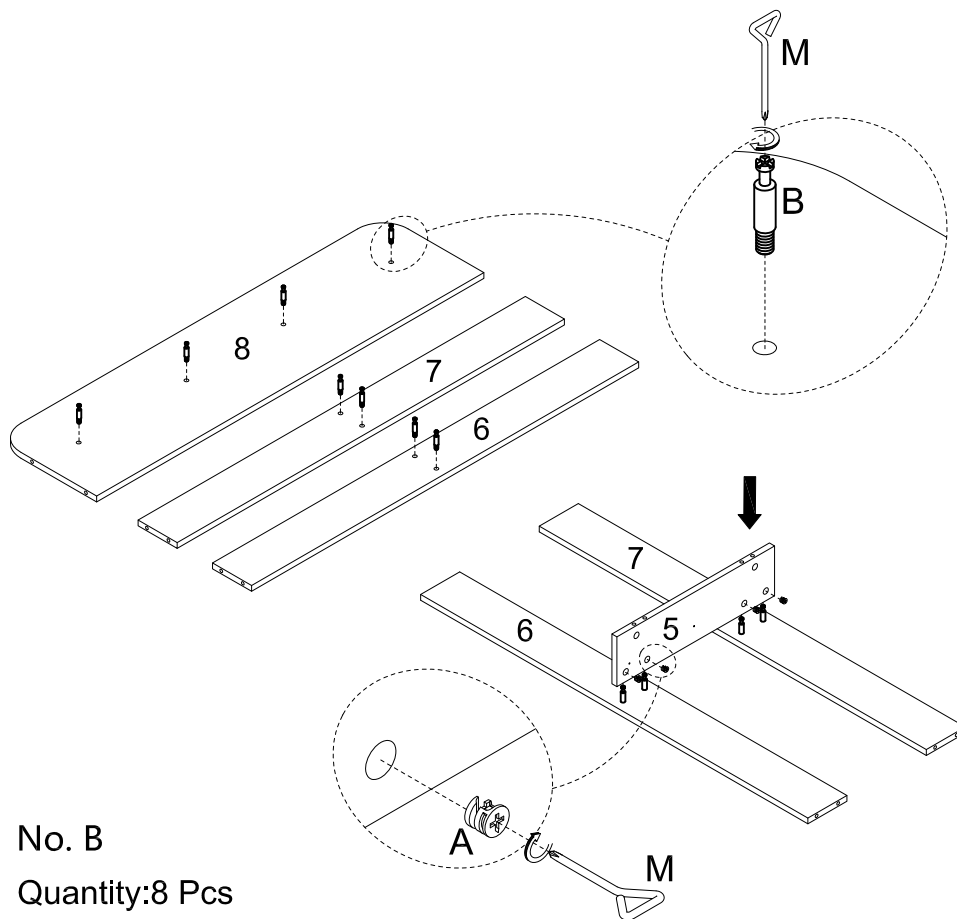


C₂

No. E
Quantity:9 Pcs

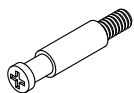


STEP 3



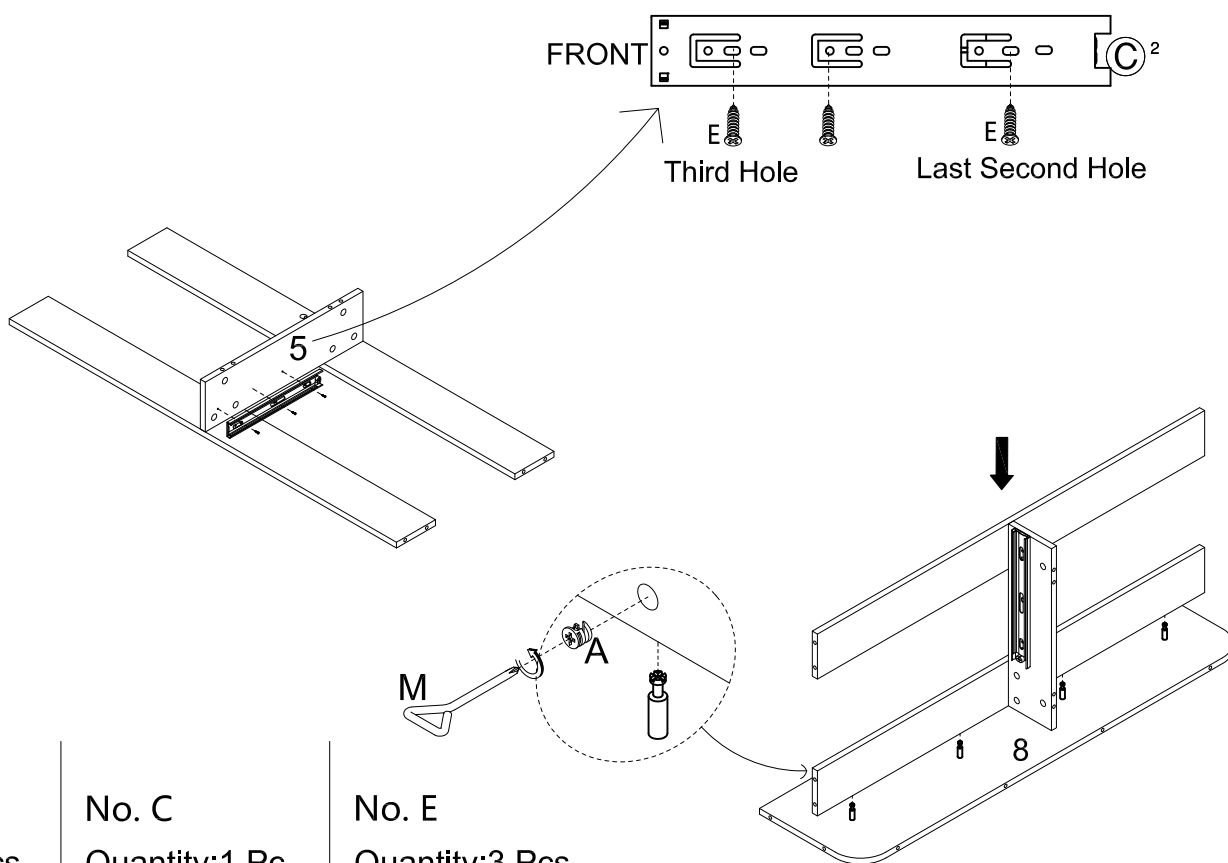
No. A
Quantity:4 Pcs

No. B
Quantity:8 Pcs



STEP 4

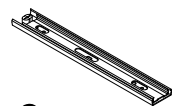
NOTE: Please through the hole in the center.



No. A
Quantity:4 Pcs

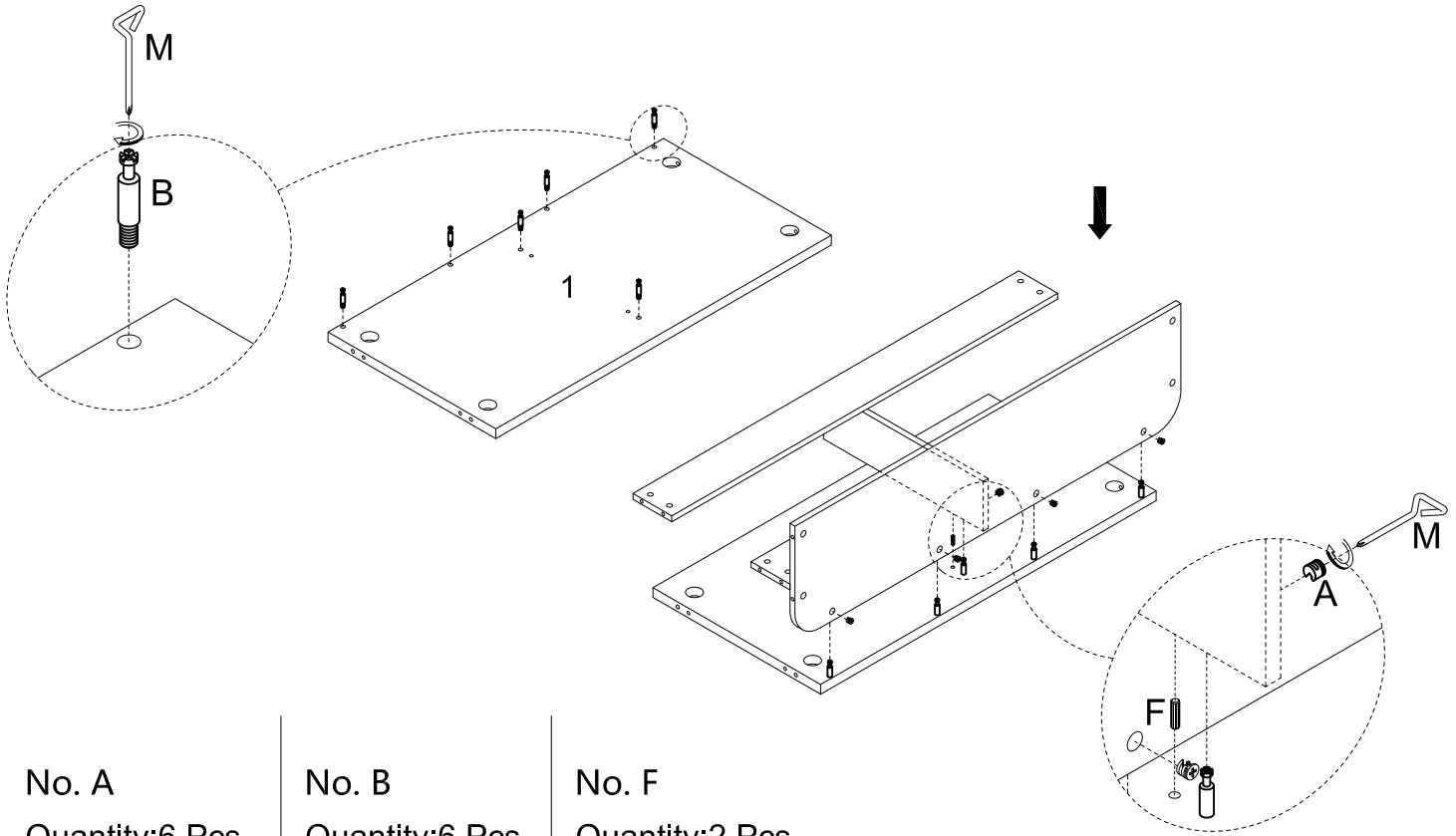
No. C
Quantity:1 Pc

No. E
Quantity:3 Pcs



C₂

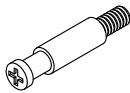
STEP 5



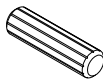
No. A
Quantity:6 Pcs



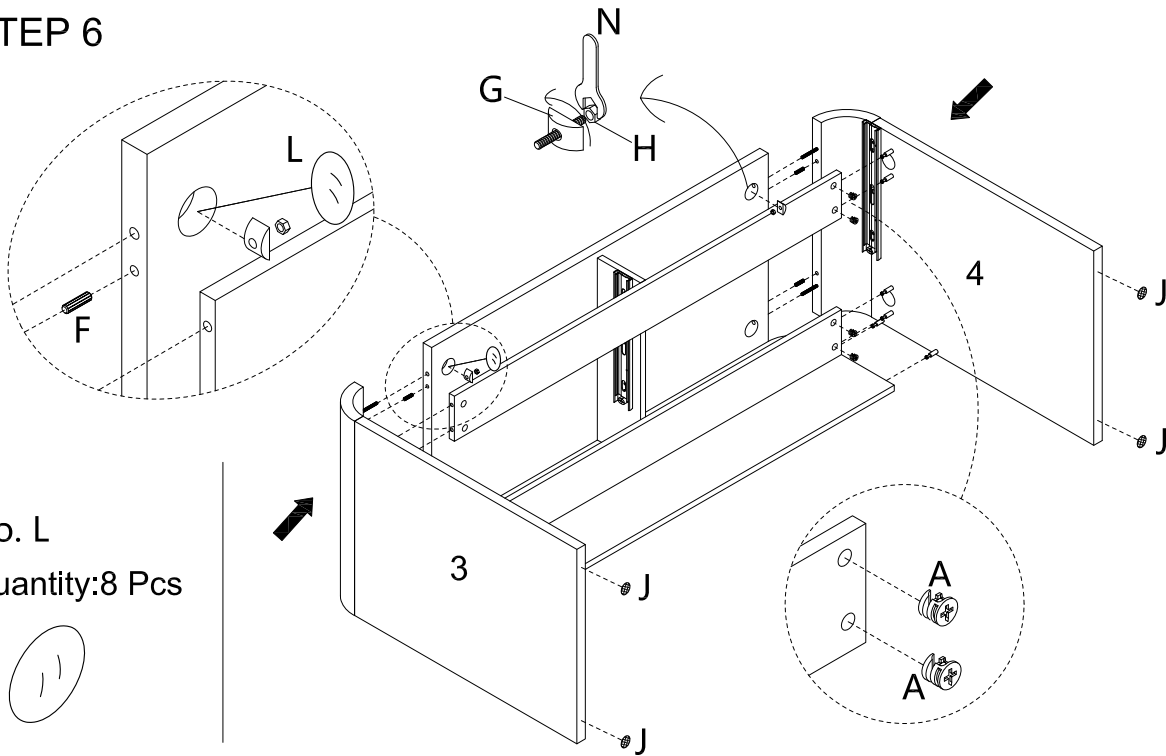
No. B
Quantity:6 Pcs



No. F
Quantity:2 Pcs



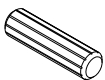
STEP 6



No. L
Quantity:8 Pcs



No. F
Quantity:4 Pcs



No. G
Quantity:4 Pcs



No. H
Quantity:4 Pcs



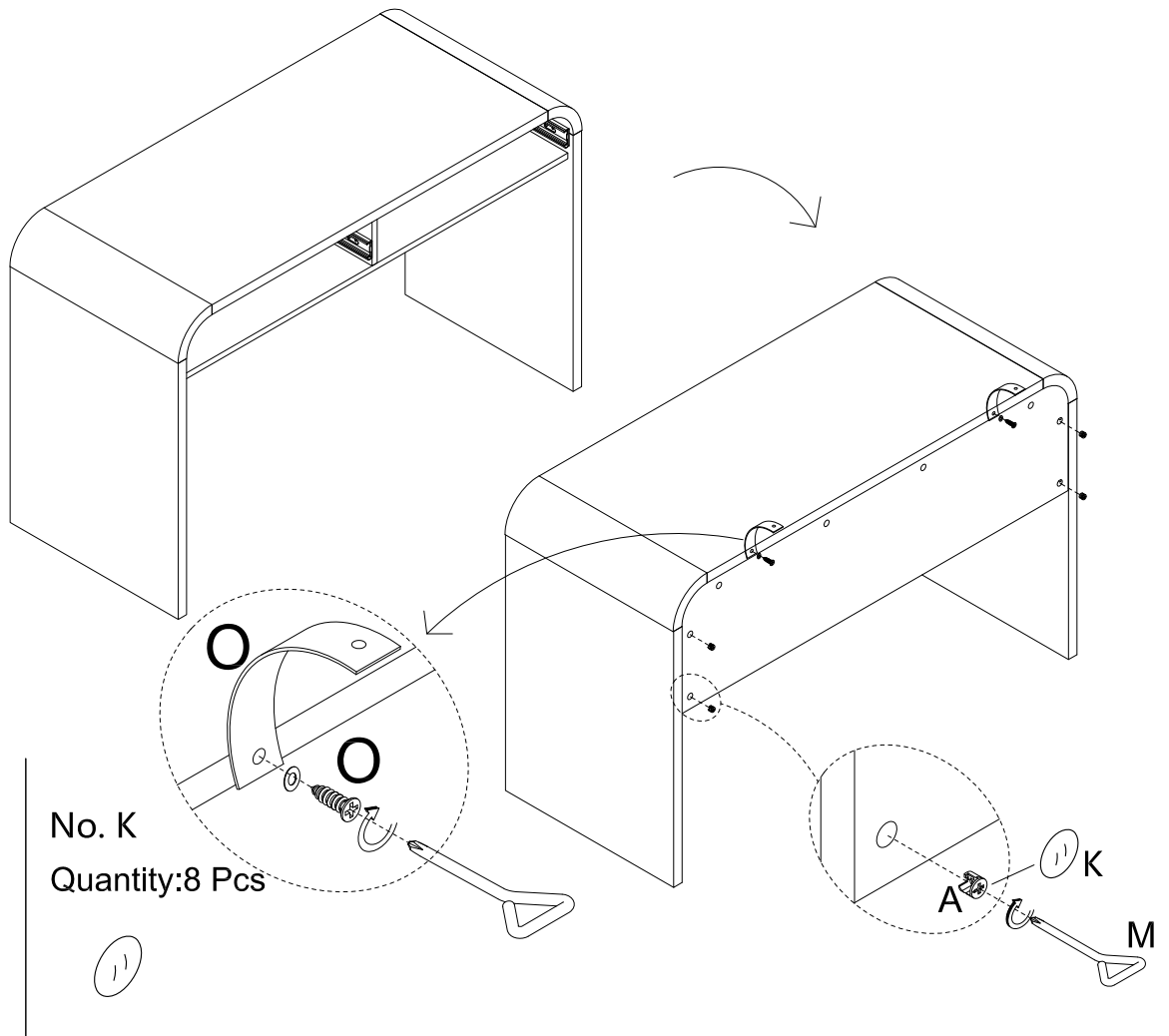
No. J
Quantity:4 Pcs



No. A
Quantity:8 Pcs



STEP 7



No. O
Quantity:2 Pcs



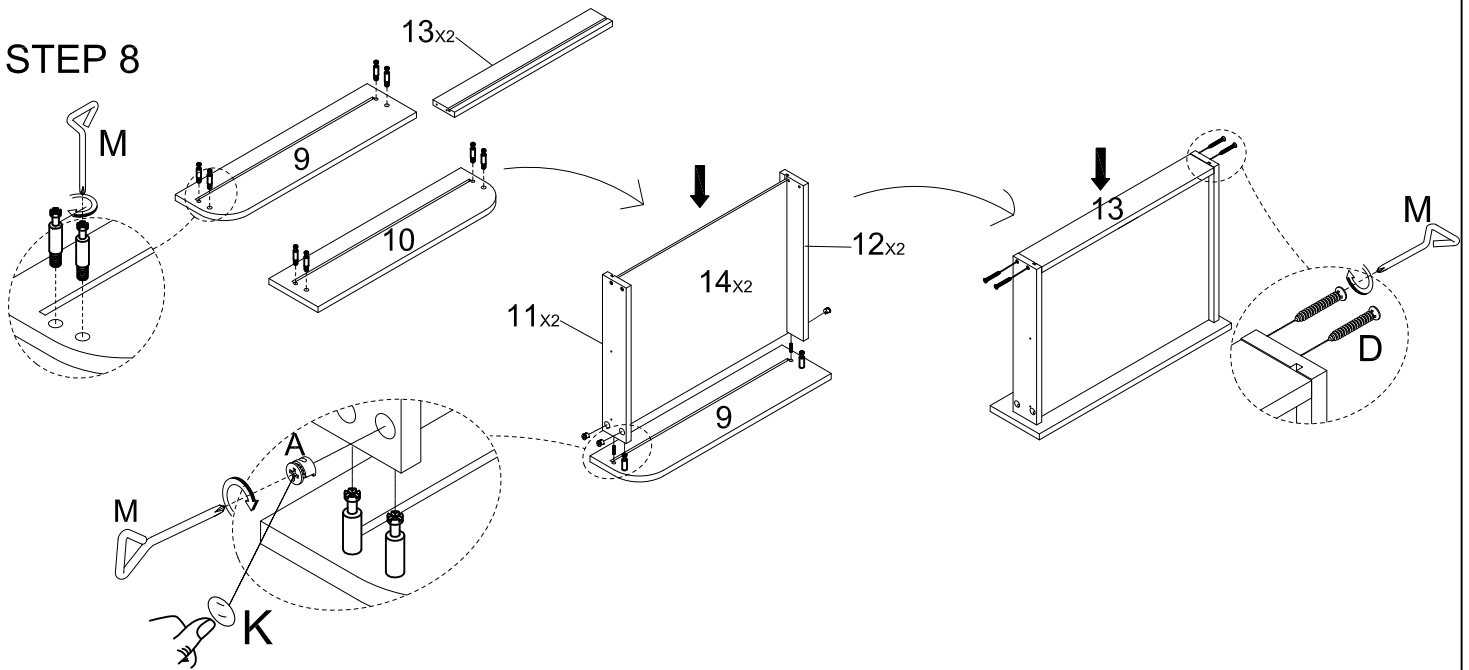
No. A
Quantity:4 Pcs



No. K
Quantity:8 Pcs



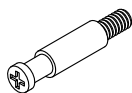
STEP 8



No. A
Quantity:8 Pcs



No. B
Quantity:8 Pcs



No. D
Quantity:8 Pcs

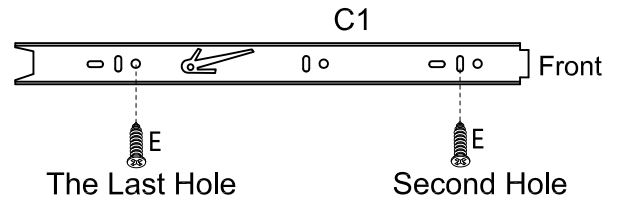
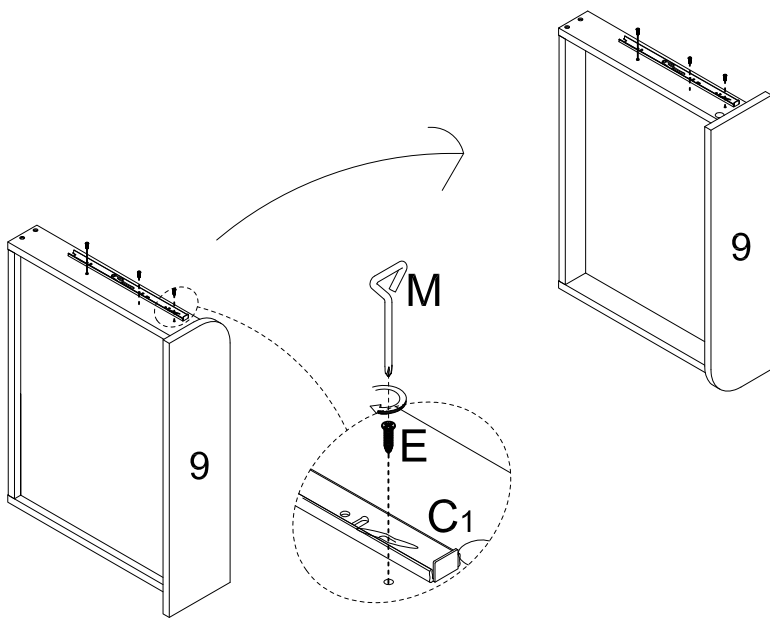


No. K
Quantity:8 Pcs

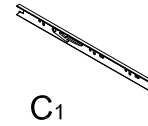


STEP 9

NOTE: Please through the hole in the center.



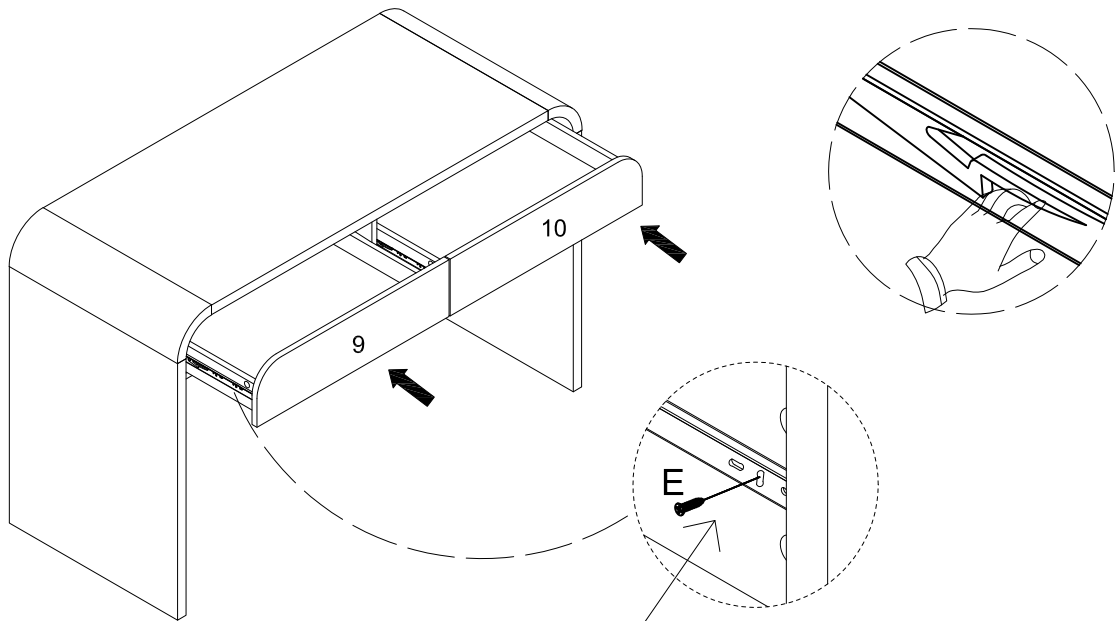
No. C
Quantity: 4 Pcs



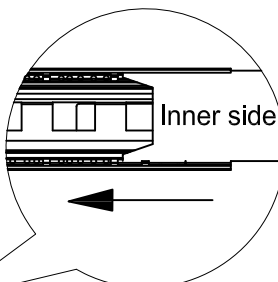
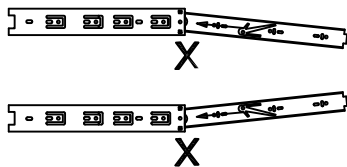
No. E
Quantity: 12 Pcs



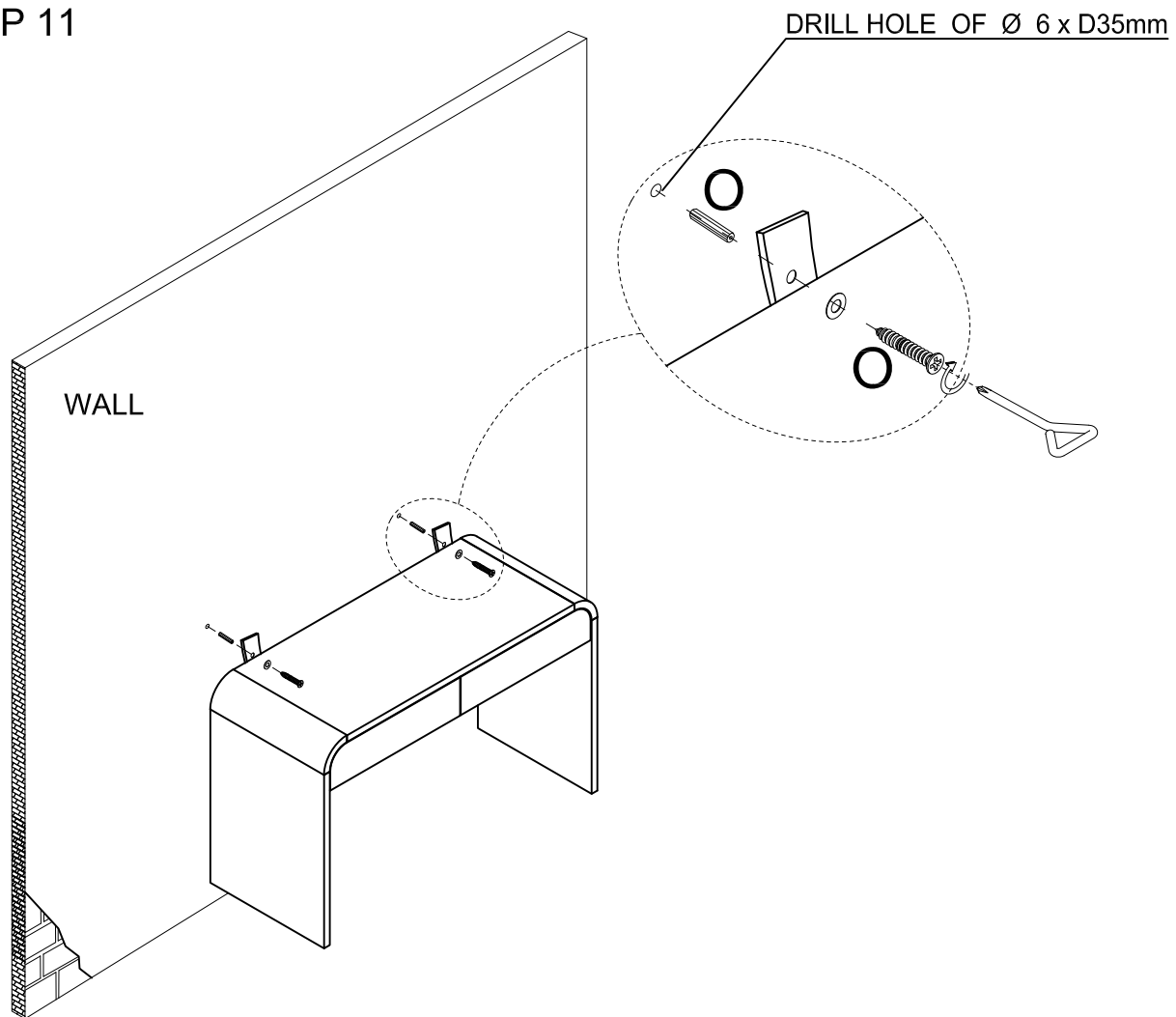
STEP 10



This screw can adjust the gap between the higher and lower, the position of screw remains the same, just loosen the slide rail up and down.



STEP 11



TOPPLING FURNITURE WARNING:

- It is strongly recommended that this product is permanently fixed to the wall.
- Please seek professional advice if you are in doubt of what fixing device to use.
- Regularly check that anchors are securely maintained.
- Stability of tall items may be affected by thick pile carpet or uneven floors .
- Do not place unanchored televisions on furniture .

CAUTION: for your safety when attaching the anchor fixings, please note the following:

- Check any electrical wires or plumbing inside the wall before drilling any holes (if you are unsure please seek professional advice from a qualified tradesperson).

No. 0
Quantity: 2 Pcs



WARNING: PLEASE SECURE YOUR FURNITURE WITH THE SUPPLIED WALL FIXING. SCAN THE CODE FOR MORE INFORMATION.



lifely.com.au

Great job. You're done!

Don't forget to share how it looks in
your space and tag us on Instagram.

@lifelyhome #homewithlifely!