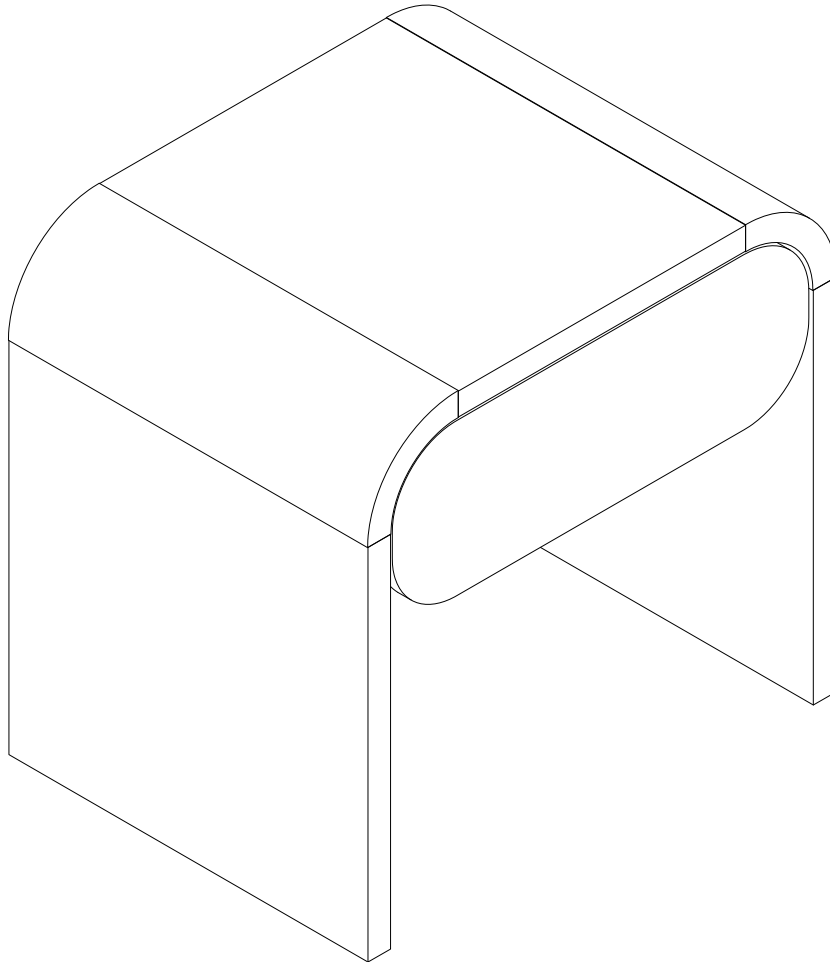


Assembly Instructions

Odeon Series



Lifely*

Product Code

ODEN-BT-OAK Bedside Table

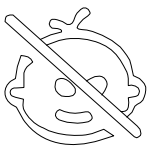
Dimensions (W x D x H)

574*400*550mm

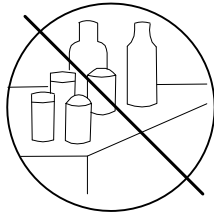
Important

Please read through instruction carefully
Before assembly and keep for future reference.
For our full catalogue of assembly instructions,
Visit: lifely.com.au/assembly.

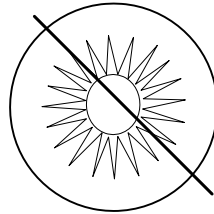
Important Tips and Maintenance



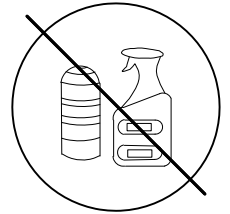
1. Keep children and animals away from working area as smaller parts may cause choking if swallowed.



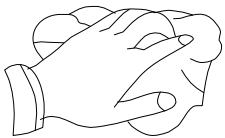
2. Never place liquids or anything damp upon furniture as it will mark. Ensure a coaster or running is beneath.



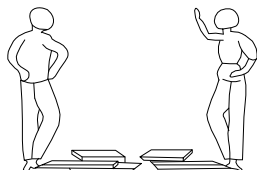
3. To avoid fading, keep furniture out of direct sunlight.



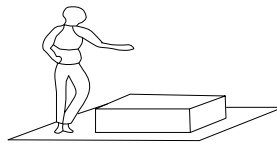
4. Never use ammonia based cleaning products as it will damage the finish.



5. Use a soft or dry cloth when wiping or cleaning surfaces.



6. Two person are required.



7. Lay a soft matt down to protect the furniture piece before and during assembly.

So your relationship is strong. But is it flat-pack furniture strong? Unless you're an aerospace engineer, assembling furniture can be slightly stressful. We recommend meditating quietly, pouring yourself a herbal tea (or slightly less herbal wine) and tackling things one step at a time. If you feel a passive aggressive remark coming on, try a compliment instead. E.g. "You're so good looking."

This 8-step assembly should take around 39 minutes with an Allen key - or 26 minutes with an electric drill.

Designed for everyday

Component Hardware

Please check you have all the fittings
part or tools are listed in below.

No. A
Quantity:26 Pcs
Cam
Ø15*12mm



No. B
Quantity:26 Pcs
Cam Lock Dowel
Ø7*25



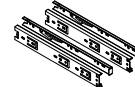
No. C
Quantity:4 Pcs
Screw
Ø4*35mm



No. D
Quantity:14 Pcs
Screw
Ø3.5*14mm



No. E
Quantity:1 Set
Slider
250mm



No. F
Quantity:13 Pcs
Wood Dowel
Ø8*30mm



No. G
Quantity:4 Pcs
EVA Pad
Ø15mm



No. H
Quantity:26 Pcs
Cover
Ø21mm



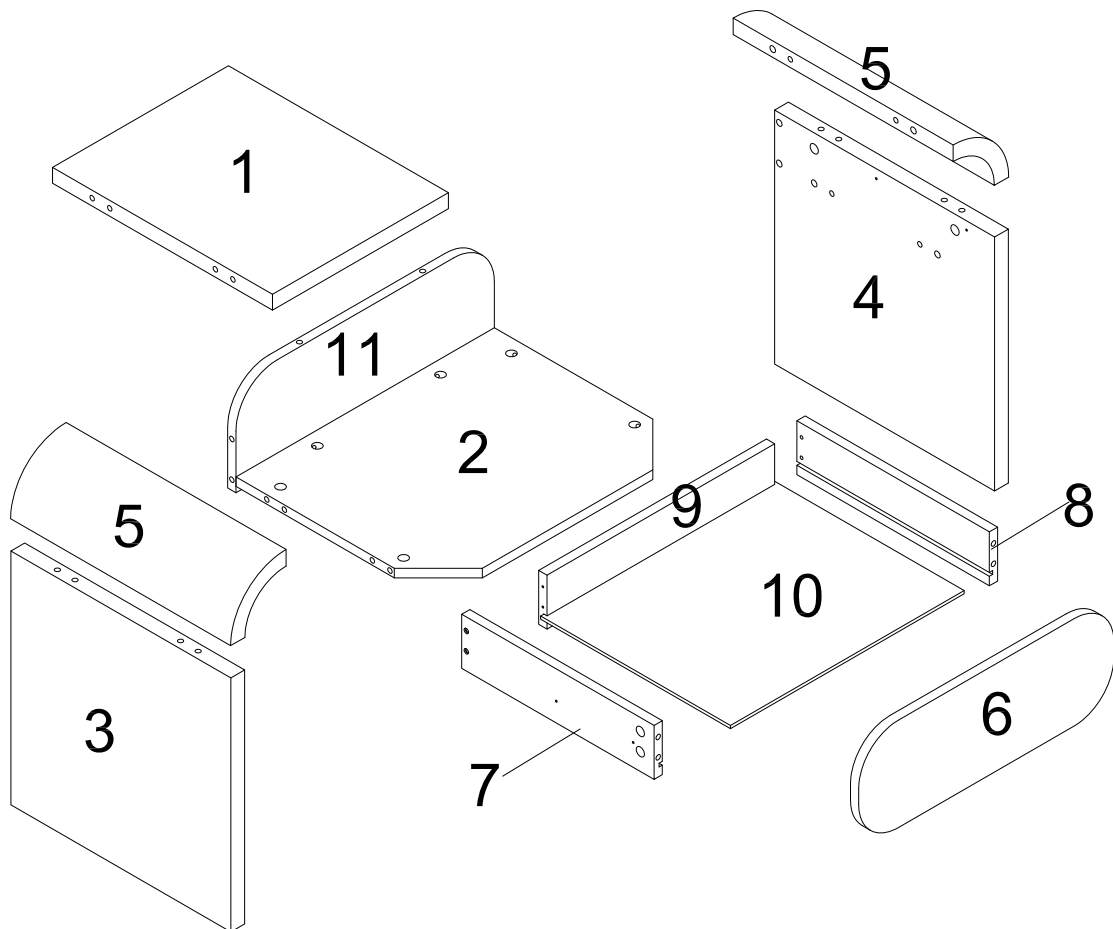
No. I
Quantity:1 Pc
Key
5mm



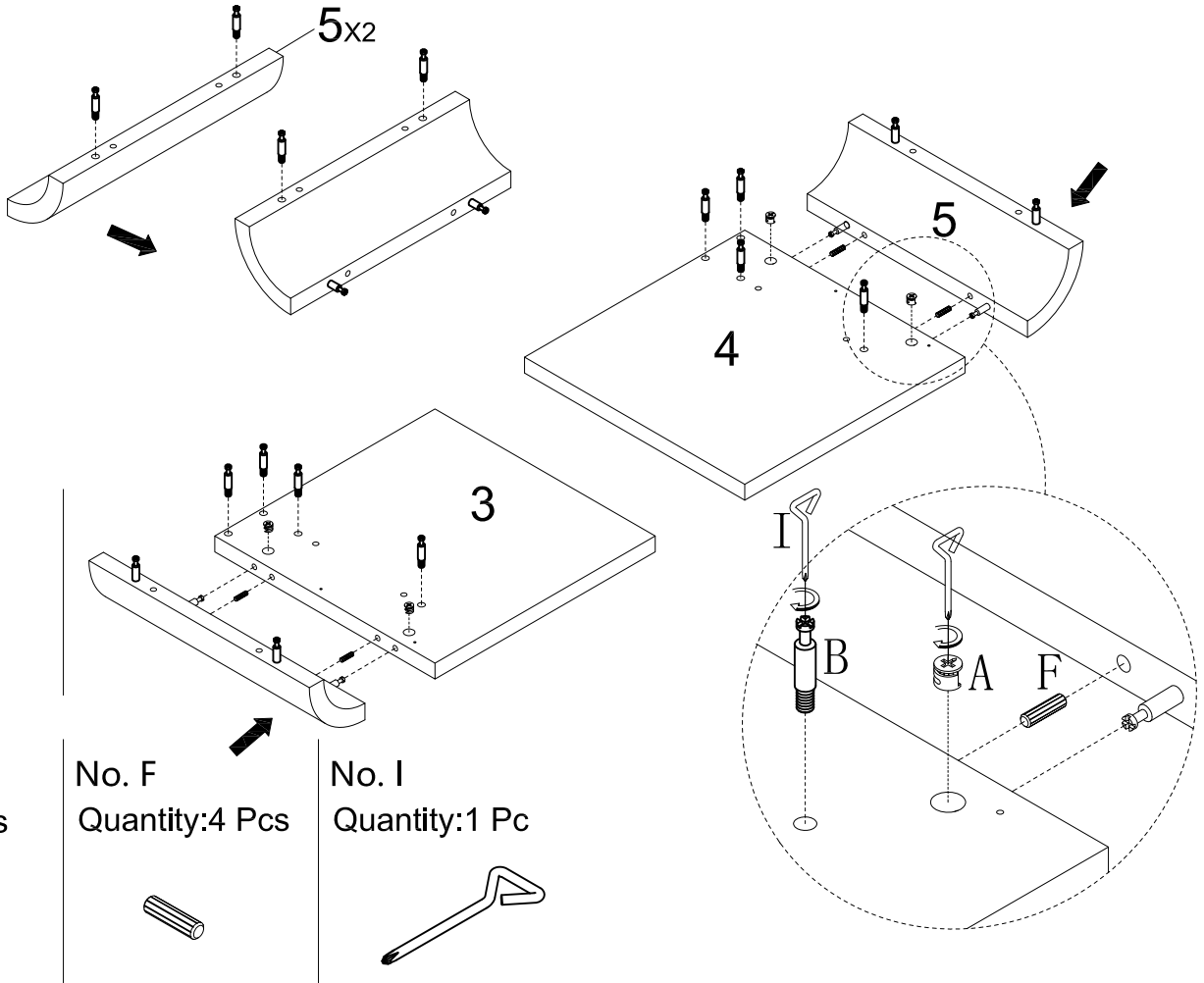
Component Panels & part List

Please check you have all the panels
are listed below.

1. Top Panel - - - - -x1
2. Bottom Panel - - - - -x1
3. Side Panel-Left - - - - -x1
4. Side Panel-Right - - - - -x1
5. Top Corner - - - - -x2
6. Drawer Front Panel- - - -x1
7. Drawer Side Panel-Left- -x1
8. Drawer Side Panel-Right- x1
9. Drawer Back Panel- - - -x1
10. Drawer Bottom Panel- - -x1
11. Back Panel- - - - - -x1



STEP 1



No. A
Quantity:4 Pcs



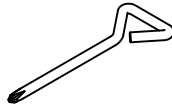
No. B
Quantity:16 Pcs



No. F
Quantity:4 Pcs



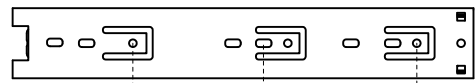
No. I
Quantity:1 Pc



STEP 2 Drawer sliders Knock-down Instruction

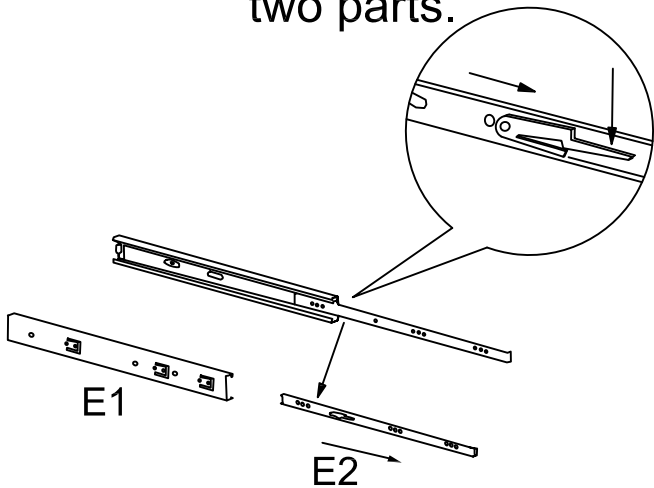
- Press the slider to E1 & E2, two parts.

NOTE:Please through the hole in the center.



Last Third Hole

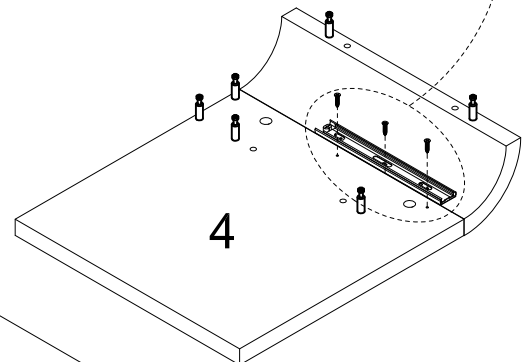
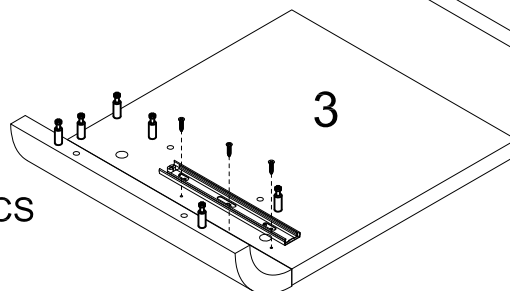
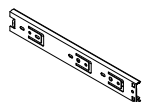
Second Hole



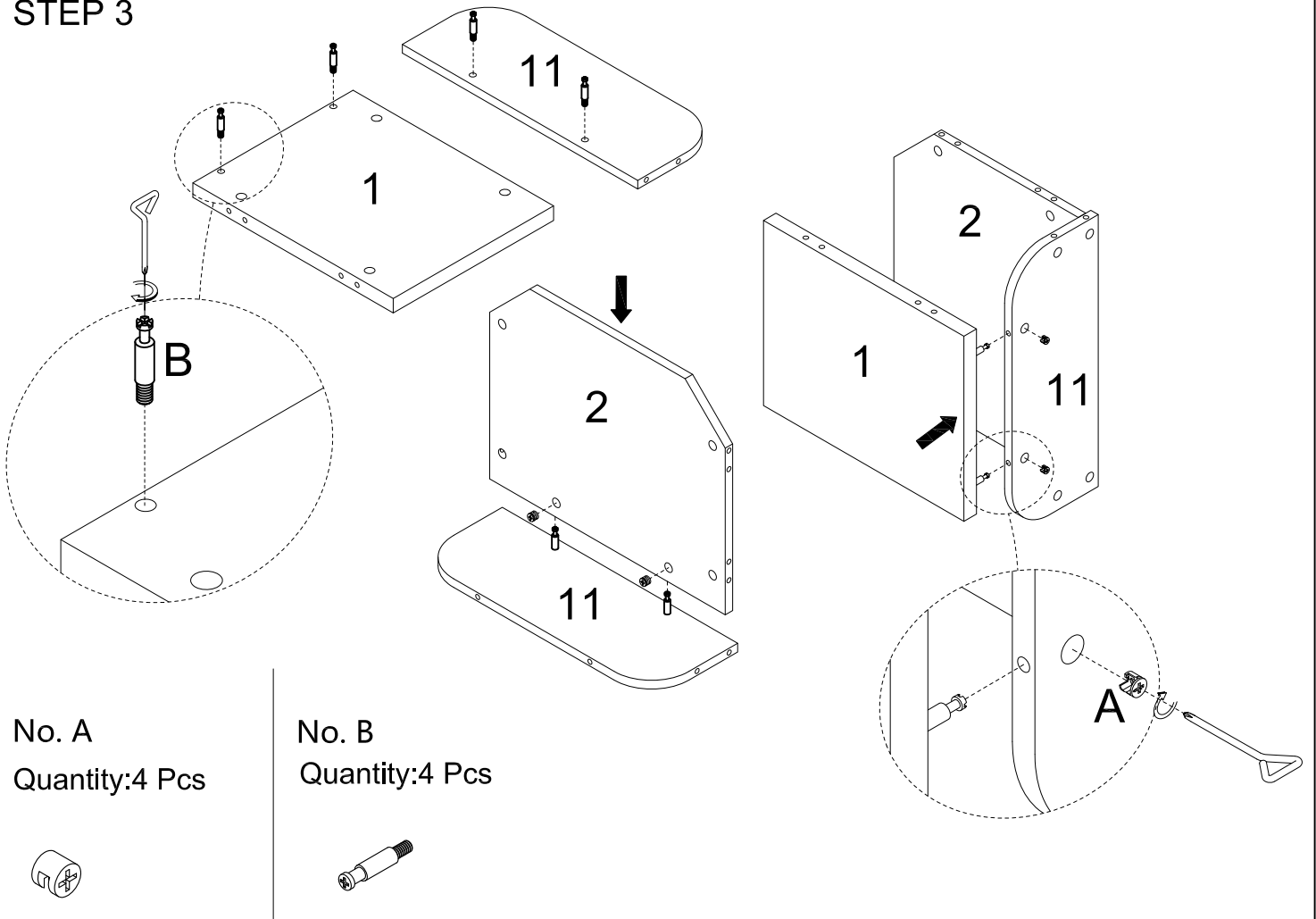
No. D
Quantity:6 Pcs



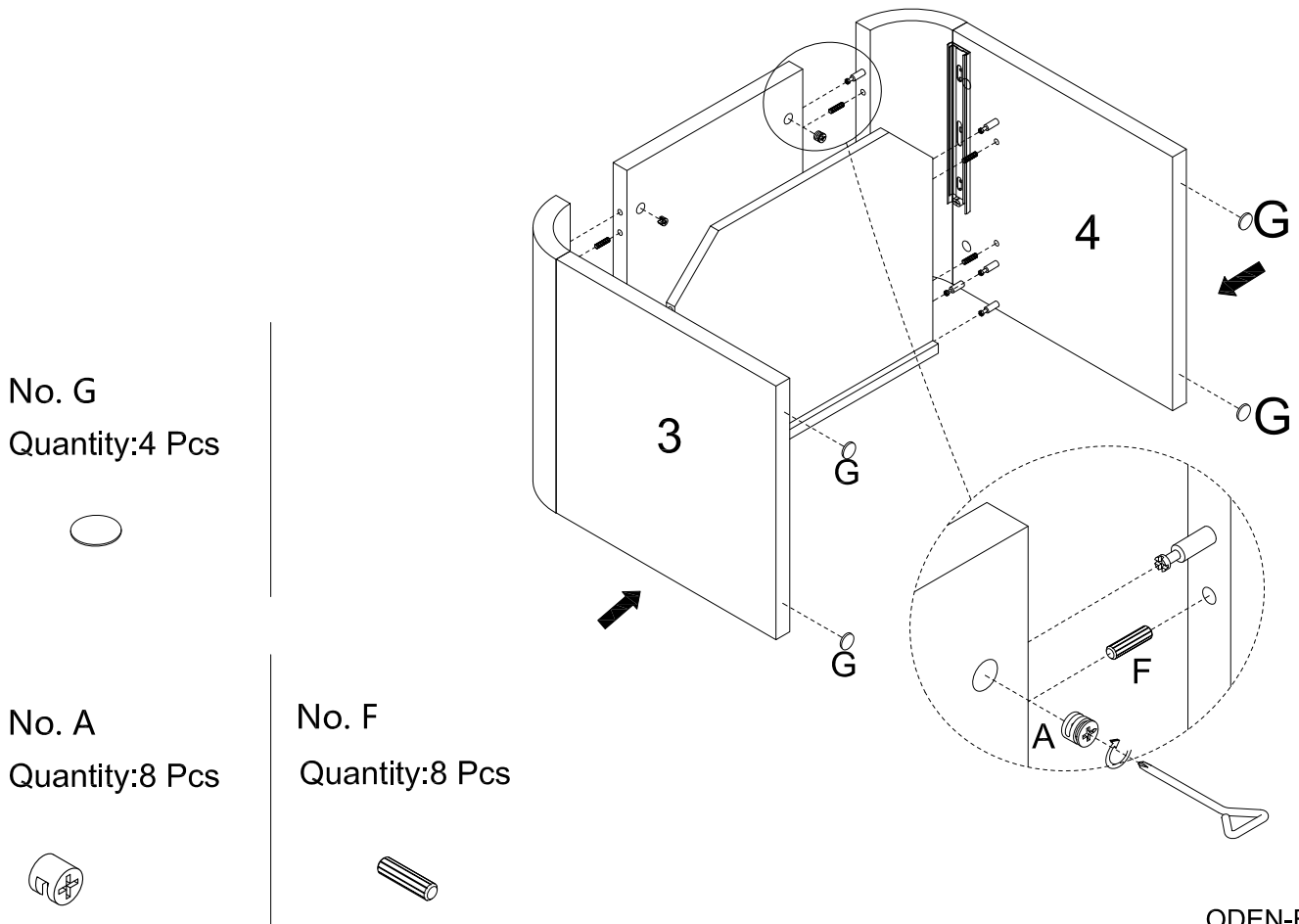
No. E
Quantity::2 PCS



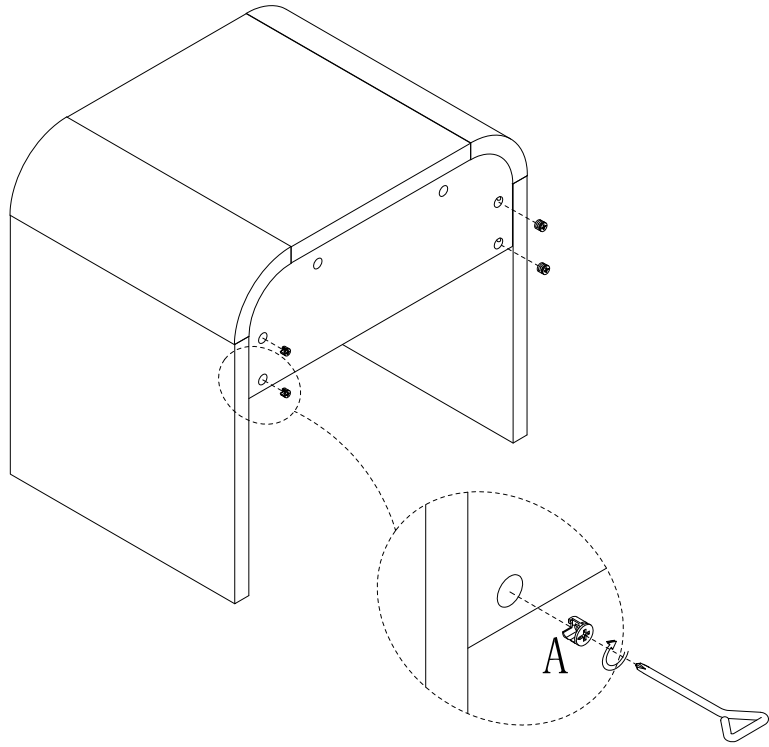
STEP 3



STEP 4



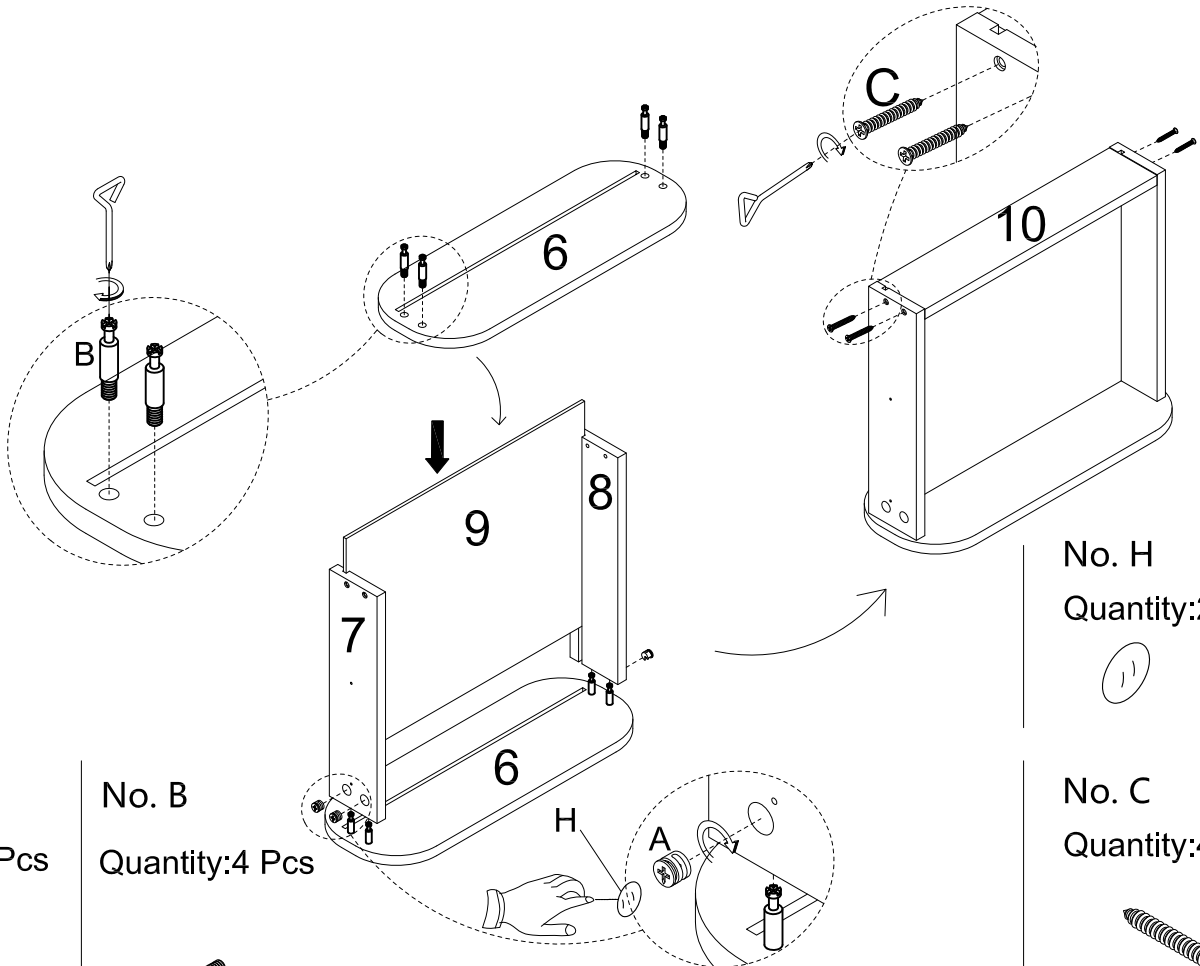
STEP 5



No. A
Quantity:4 Pcs



STEP 6



No. A
Quantity:4 Pcs



No. B
Quantity:4 Pcs



No. H
Quantity:24 Pcs



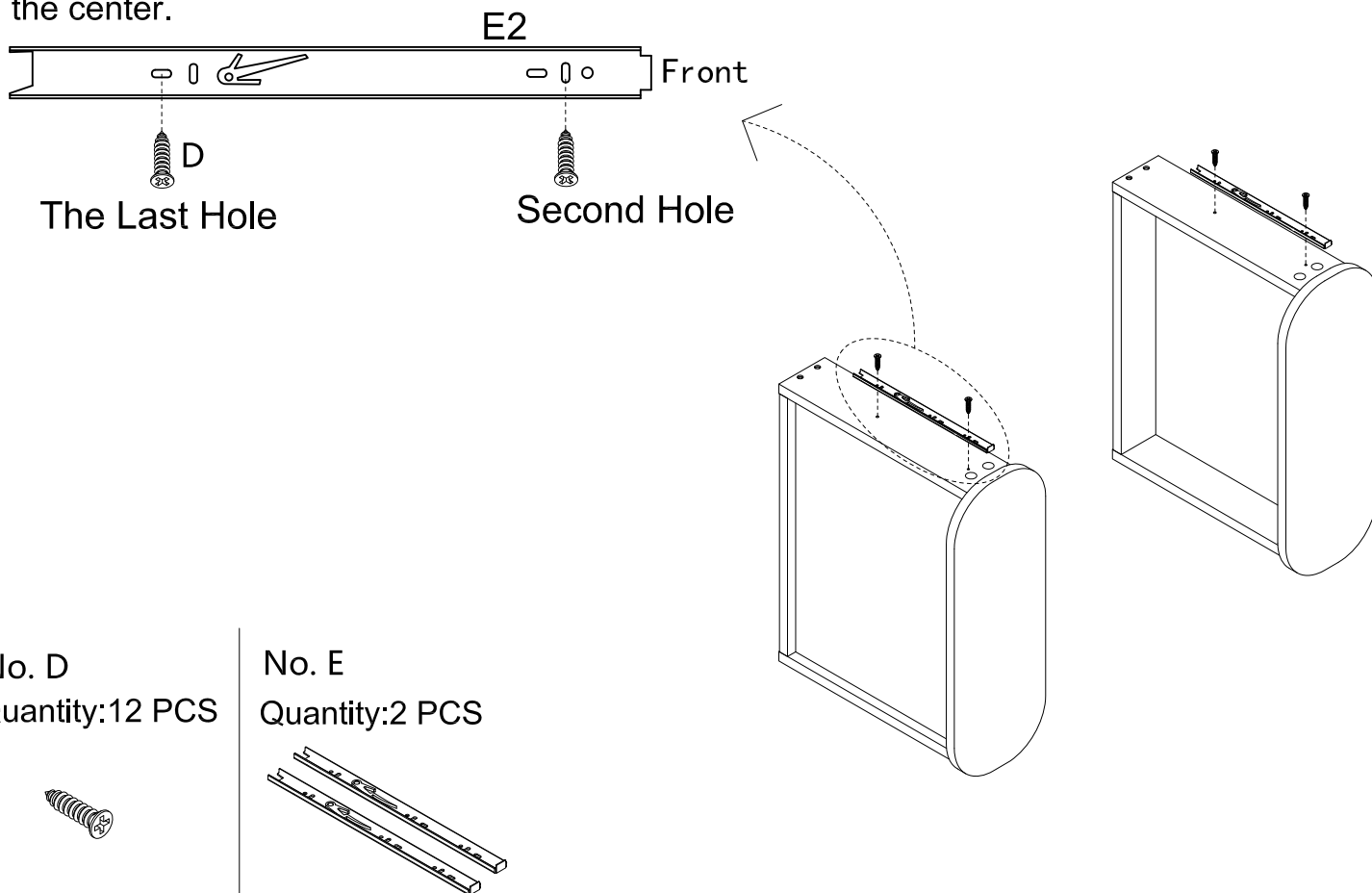
No. C
Quantity:4 Pcs



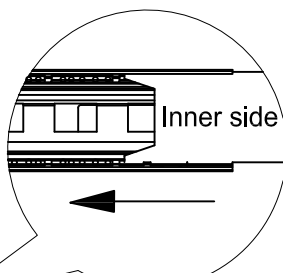
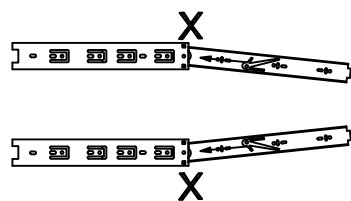
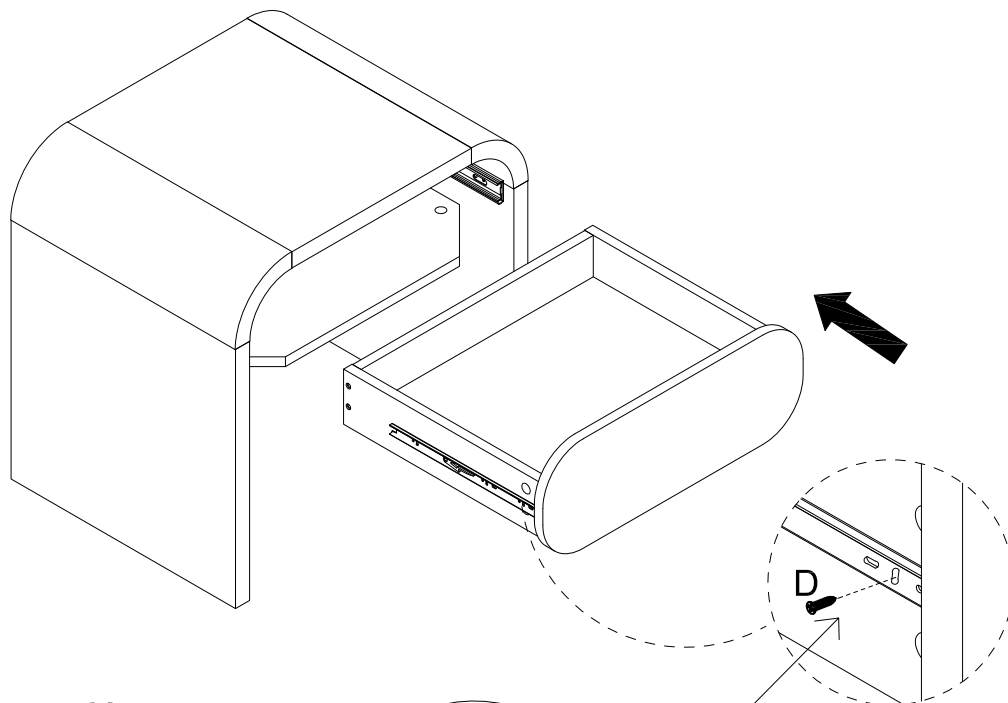
ODEN-BT-OAK 8

STEP 7

NOTE: Please through the hole in the center.



STEP 8



This screw can adjust the gap between the higher and lower, the position of screw remains the same, just loosen the slide rail up and down.



lifely.com.au

Great job. You're done!

Don't forget to share how it looks in
your space and tag us on Instagram.

@lifelyhome #homewithlifely!