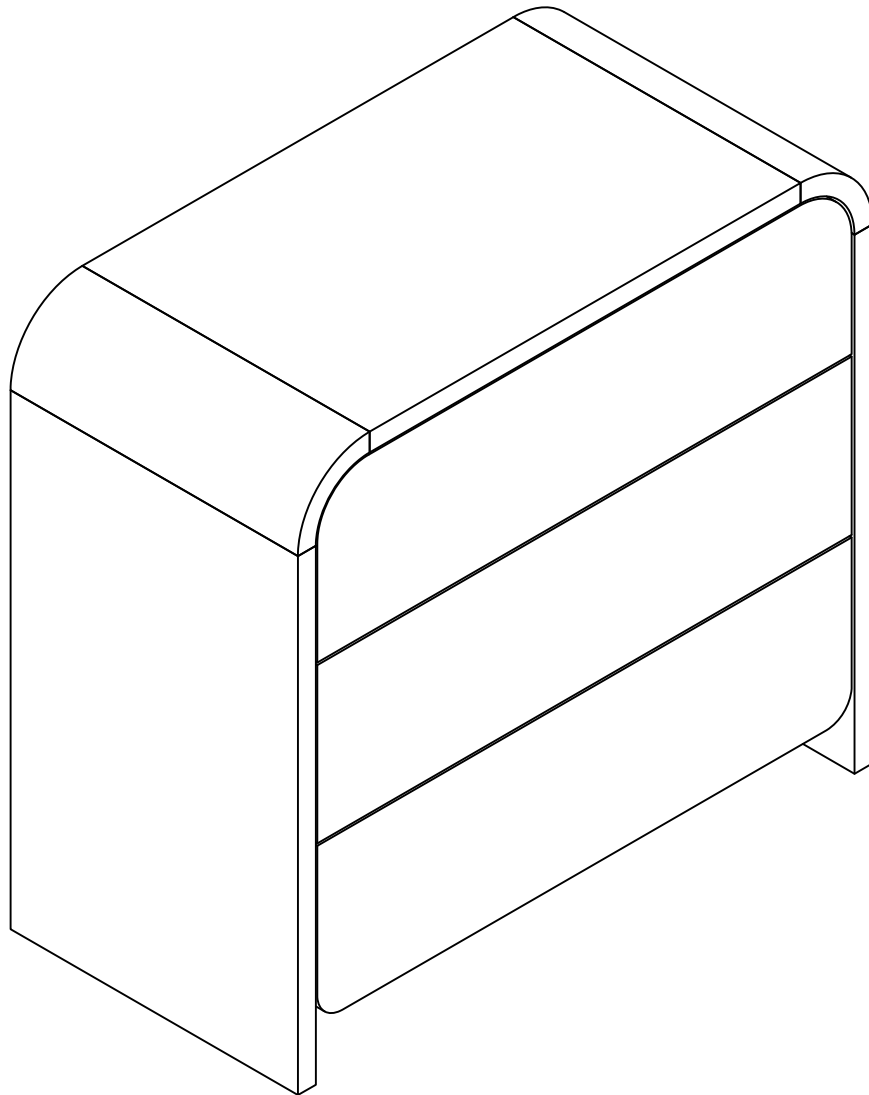


Assembly Instructions

Odeon Series



Lifely*

Product Code

ODEN-3COD-OAK Odeon 3 Chest of Drawers

Dimensions(W x D x H)

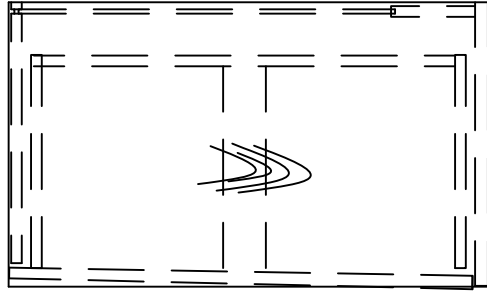
800*400*750mm

Important

Please read through instruction carefully
Before assembly and keep for future reference.
For our full catalogue of assembly instructions,
Visit: lifely.com.au/assembly.

1, It might not be perfect aligned if push the edge of the drawers, when you find one end of drawer panel not closed tight. please push one more time.

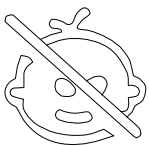
For example:



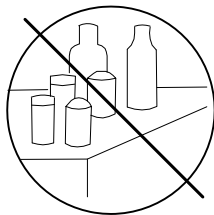
It will go back to normal pushing here.

2, Always push the middle of drawer to open or close.

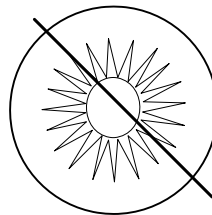
Important Tips and Maintenance



1. Keep children and animals away from working area as smaller parts may cause choking if swallowed.



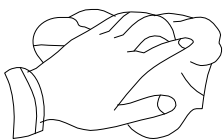
2. Never place liquids or anything damp upon furniture as it will mark. Ensure a coaster or running is beneath.



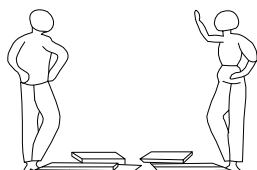
3. To avoid fading, keep furniture out of direct sunlight.



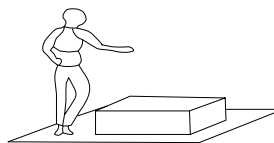
4. Never use ammonia based cleaning products as it will damage the finish.



5. Use a soft or dry cloth when wiping or cleaning surfaces.



6. Two person are required.



7. Lay a soft matt down to protect the furniture piece before and during assembly.

So your relationship is strong. But is it flat-pack furniture strong? Unless you're an aerospace engineer, assembling furniture can be slightly stressful. We recommend meditating quietly, pouring yourself a herbal tea (or slightly less herbal wine) and tackling things one step at a time. If you feel a passive aggressive remark coming on, try a compliment instead. E.g. "You're so good looking."

This 15-step assembly should take around 30 minutes with an Allen key-or 20 minutes with an electric drill.

Designed for everyday

Component Hardware are in box one.
 Please check you have all the fittings
 part or tools are listed in below.

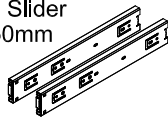
No. A
 Quantity:46 Pcs
 Cam
 Ø15*12mm



No. B
 Quantity:46 Pcs
 Cam Lock Dowel
 Ø7*25



No. C
 Quantity:3 Sets
 Push Slider
 L=250mm



No. D
 Quantity:12 Pcs
 Screw
 Ø4*35mm



No. E
 Quantity:19 Pcs
 Wooden Dowel
 Ø8*30mm



No. F
 Quantity:39 Pcs
 Screw
 Ø3.5*14mm



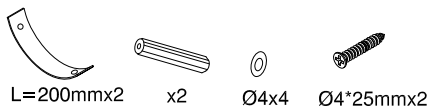
No. G
 Quantity:46 Pcs
 Cover
 Ø20mm



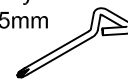
No. H
 Quantity:4 Pcs
 EVA Pad
 Ø15mm



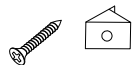
No. I
 Quantity:2 Sets



No. J
 Quantity:1 Pc
 Key
 5mm



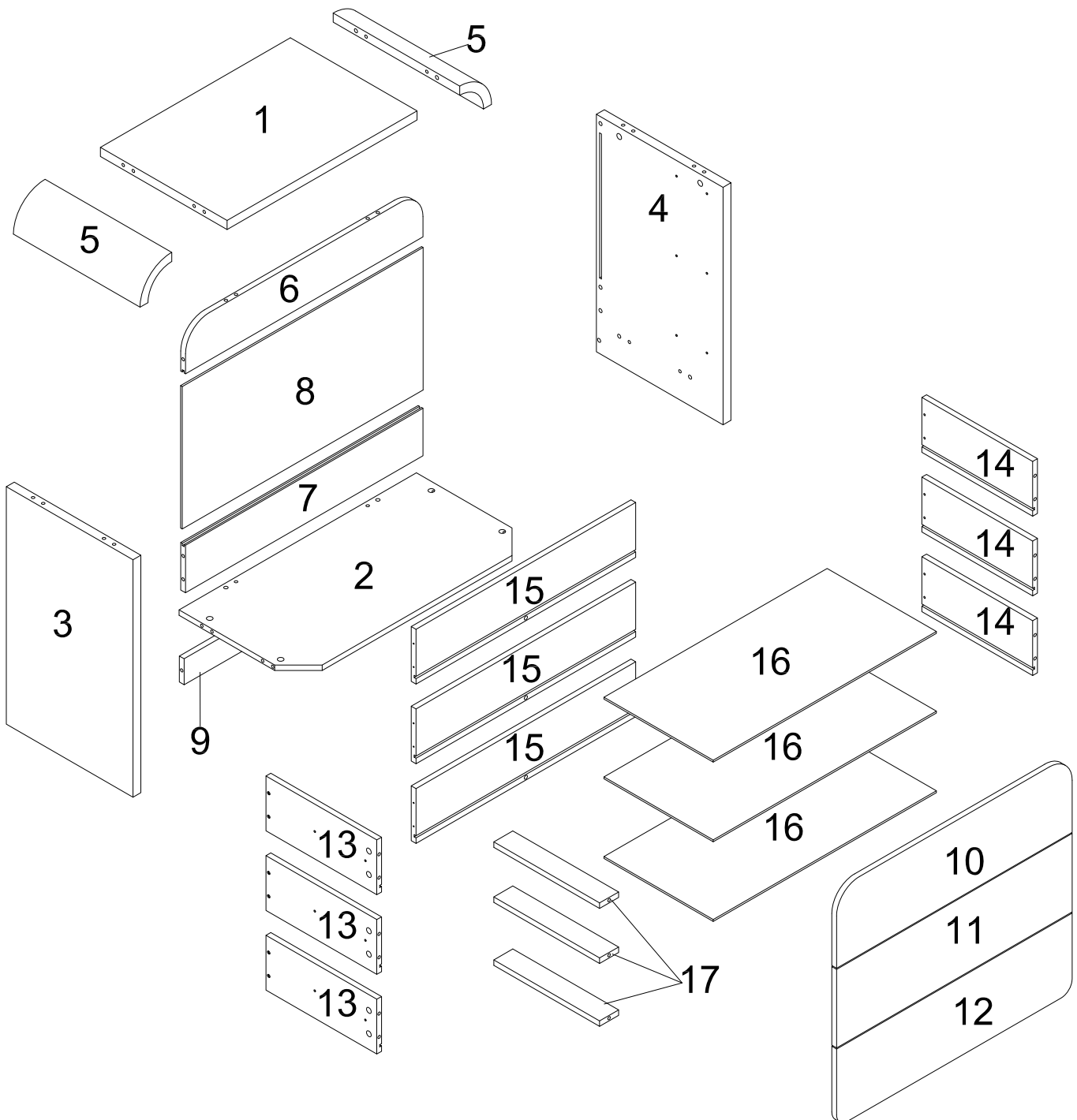
No. K
 Quantity:6 Pcs
 Angle plastic
 Ø3*18mm



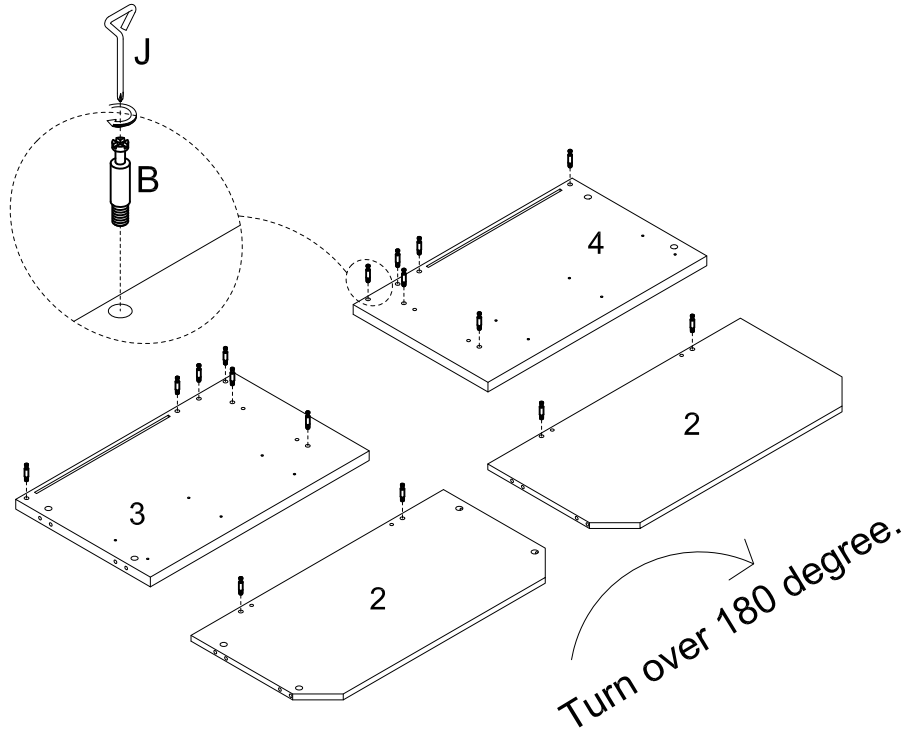
Component Panels & part List

Please check you have all the panels are listed below.

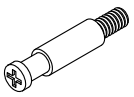
- | | | | |
|---------------------------|---------|--------------------------------|---------|
| 1. Top Panel-----x1 | CTN 2/2 | 9. Rear Kickboard-----x1 | CTN 2/2 |
| 2. Bottom-----x1 | CTN 2/2 | 10. Drawer Face Upper-----x1 | CTN 1/2 |
| 3. Side Panel-L-----x1 | CTN 2/2 | 11. Drawer Face Middle-----x1 | CTN 1/2 |
| 4. Side Panel-R-----x1 | CTN 2/2 | 12. Drawer Face Lower-----x1 | CTN 1/2 |
| 5. Corner-----x2 | CTN 2/2 | 13. Drawer Side Panel-L-----x3 | CTN 1/2 |
| 6. Back Panel-Upper----x1 | CTN 2/2 | 14. Drawer Side Panel-R---x3 | CTN 1/2 |
| 7. Back Panel-Lower----x1 | CTN 2/2 | 15. Drawer Back Panel-----x3 | CTN 1/2 |
| 8. Back Panel-Middle---x1 | CTN 2/2 | 16. Drawer Bottom-----x3 | CTN 1/2 |
| | | 17. Drawer Bottom Support-x3 | CTN 1/2 |



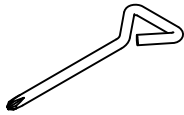
STEP 1



No. B
Quantity:16 Pcs

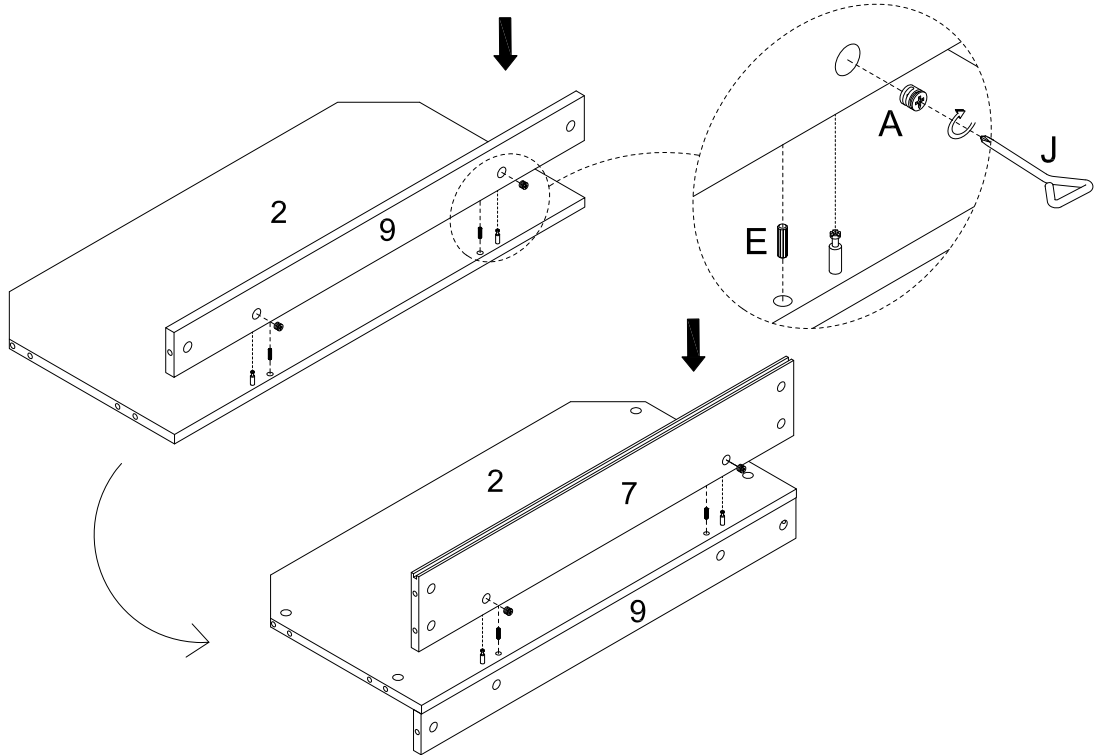


No. J
Quantity:1 Pc



Flip to install cam bolts on both sides of bottom panel 2.

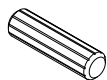
STEP 2



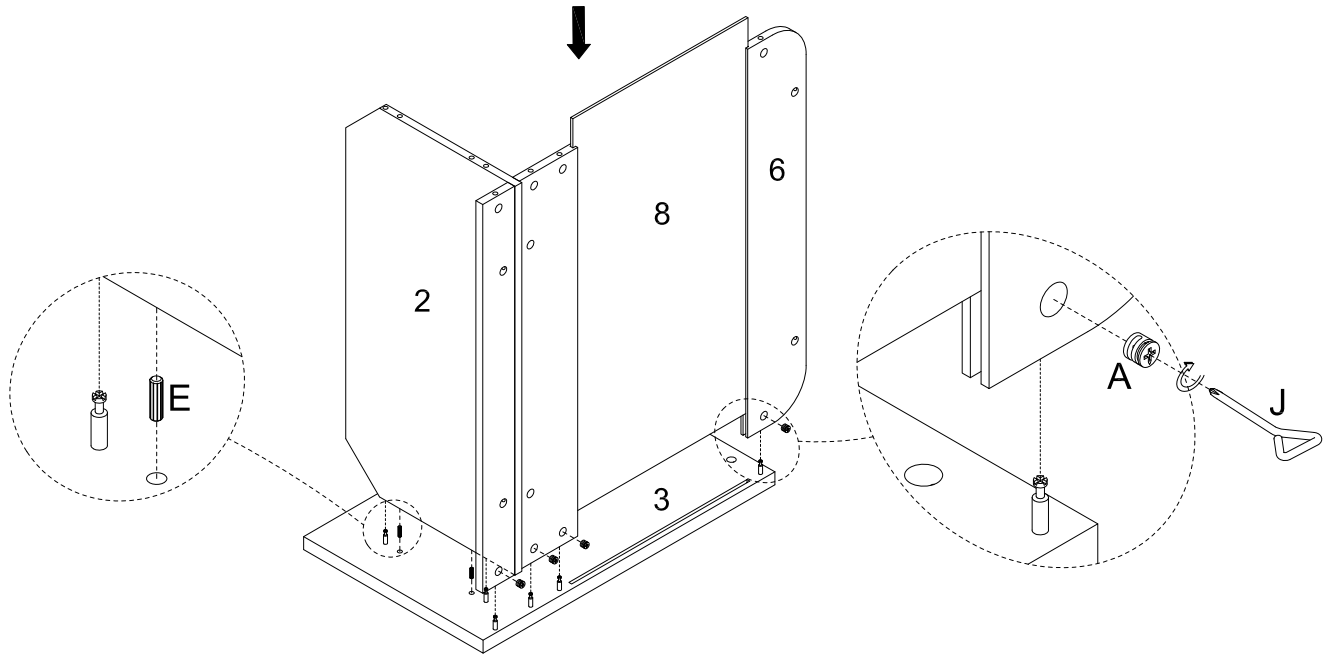
No. A
Quantity:4 Pcs



No. E
Quantity:4 Pcs



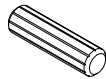
STEP 3



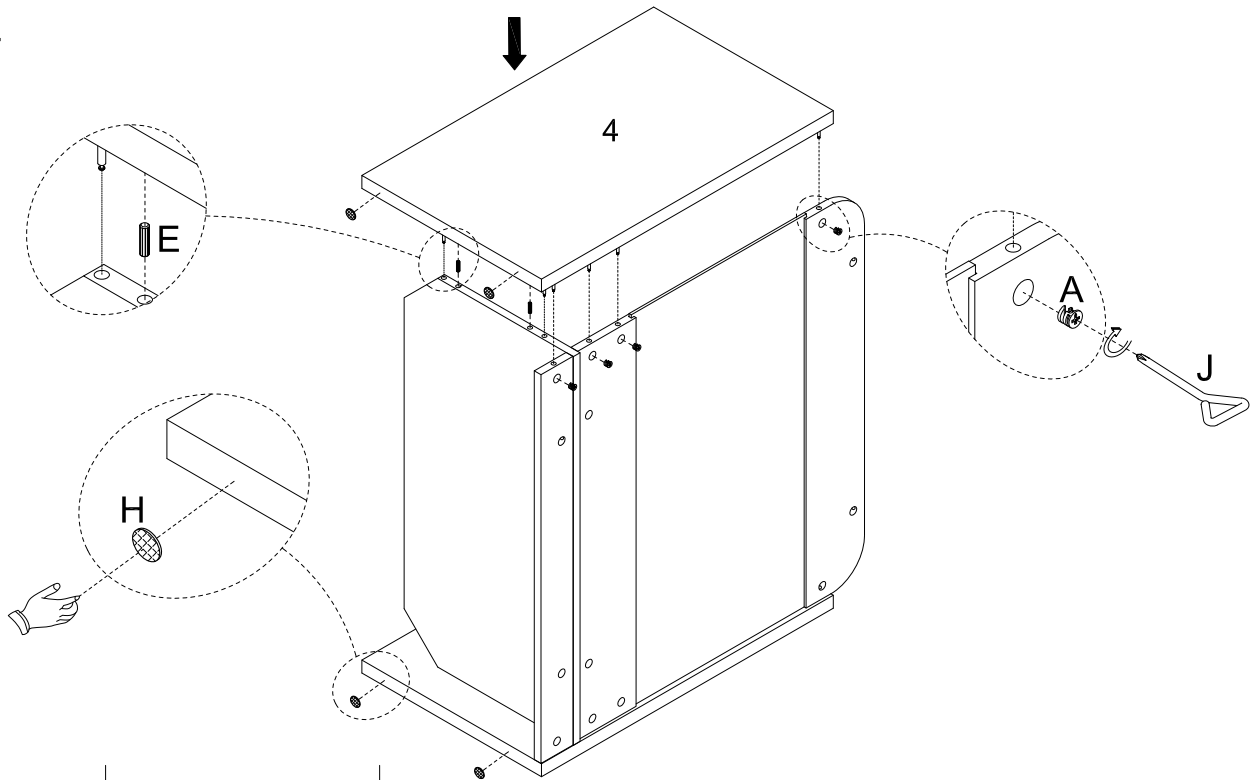
No. A
Quantity:4 Pcs



No. E
Quantity:2 Pcs



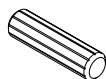
STEP 4



No. A
Quantity:4 Pcs



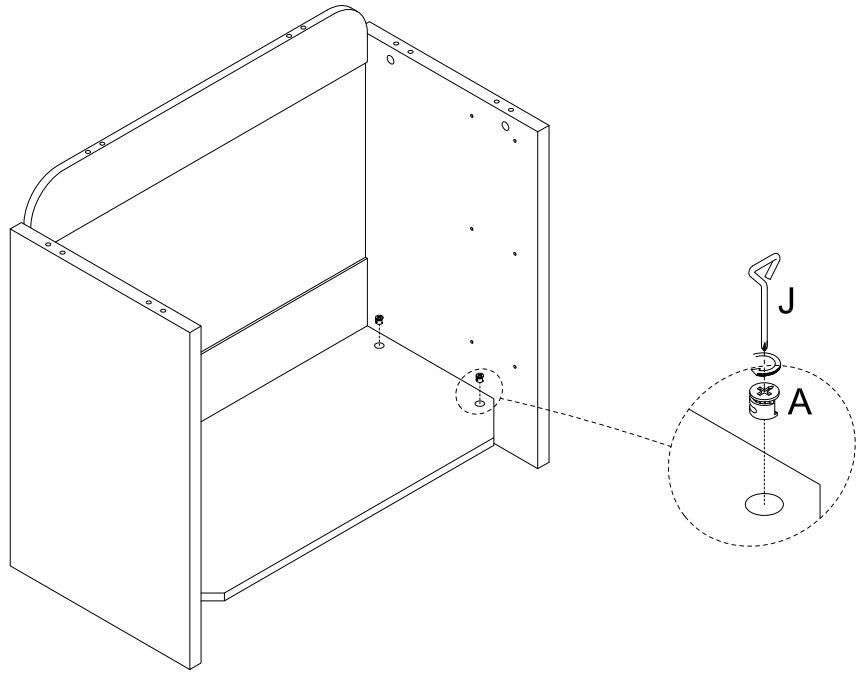
No. E
Quantity:2 Pcs



No. H
Quantity:4 Pcs



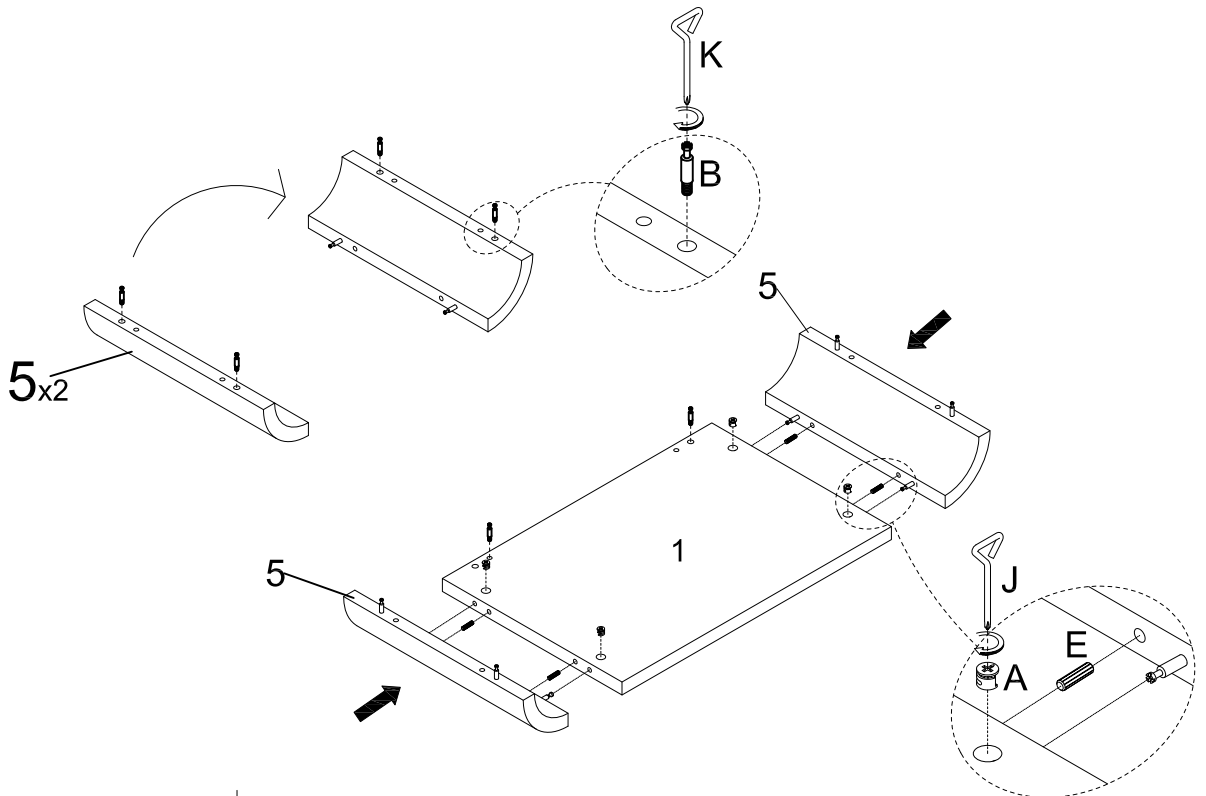
STEP 5



No. A
Quantity:4 Pcs



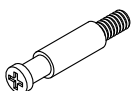
STEP 6



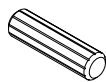
No. A
Quantity:4 Pcs



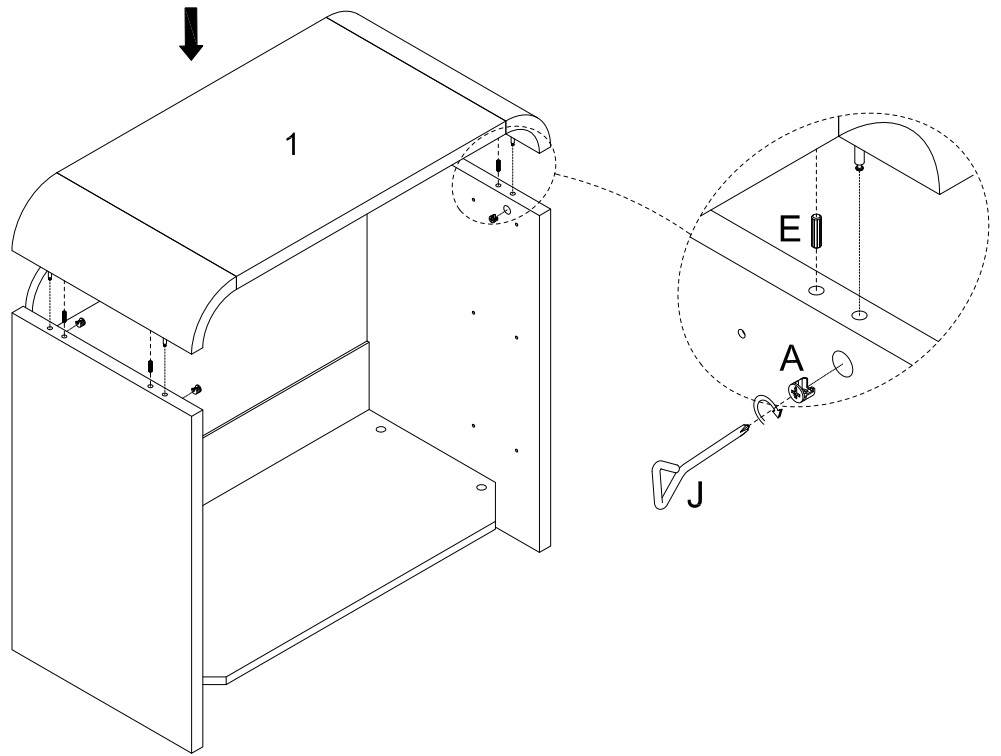
No. B
Quantity:10 Pcs



No. E
Quantity:4 Pcs



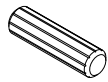
STEP 7



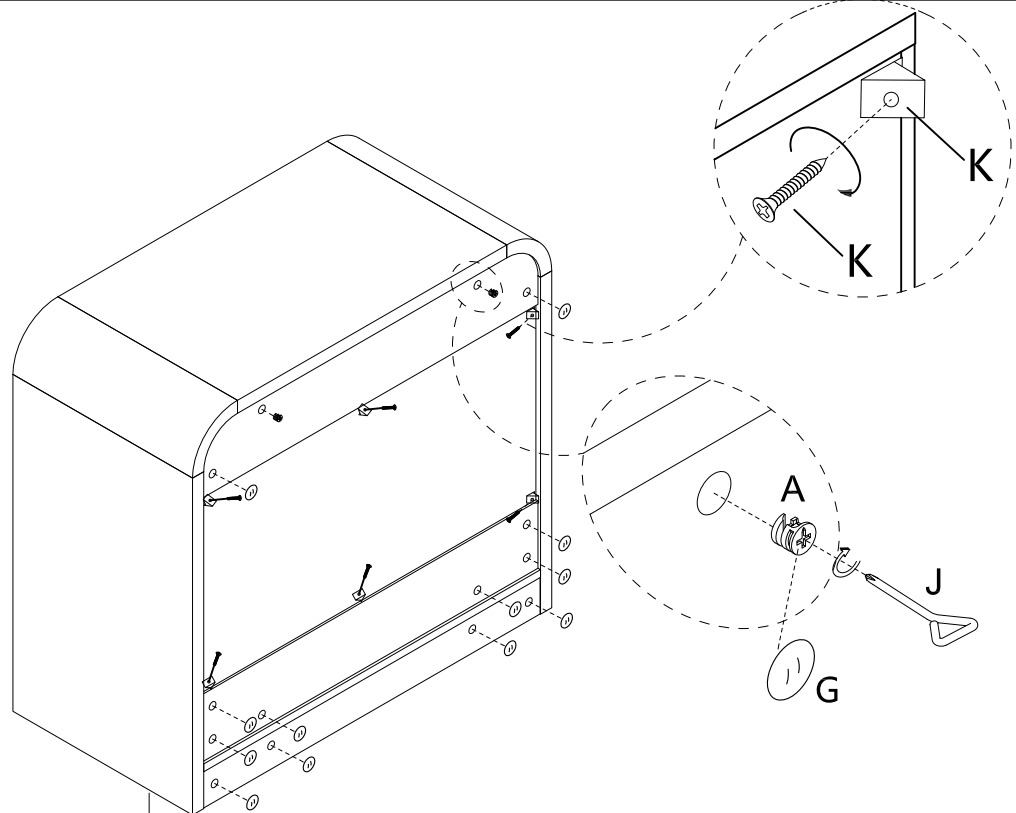
No. A
Quantity:4 Pcs



No. E
Quantity:6 Pcs



STEP 8



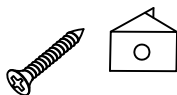
No. A
Quantity:2 Pcs



No. G
Quantity:14 Pcs

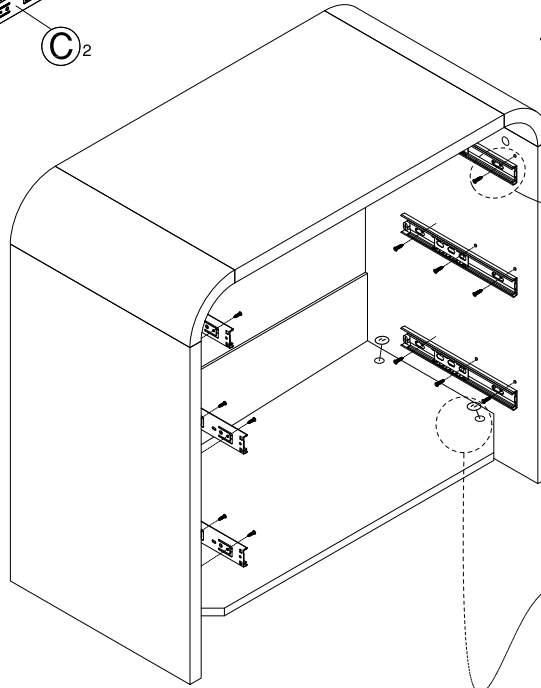
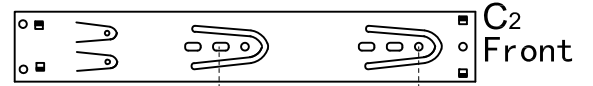
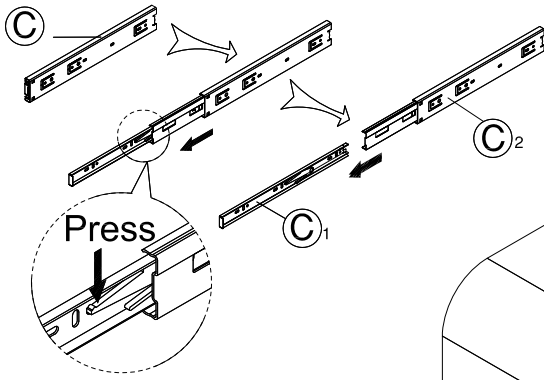


No. K
Quantity:6 Pcs



STEP 9

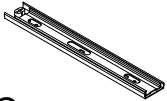
NOTE: Please through the hole in the center.



No. G
Quantity: 12 Pcs



No. C
Quantity: 6 Pcs

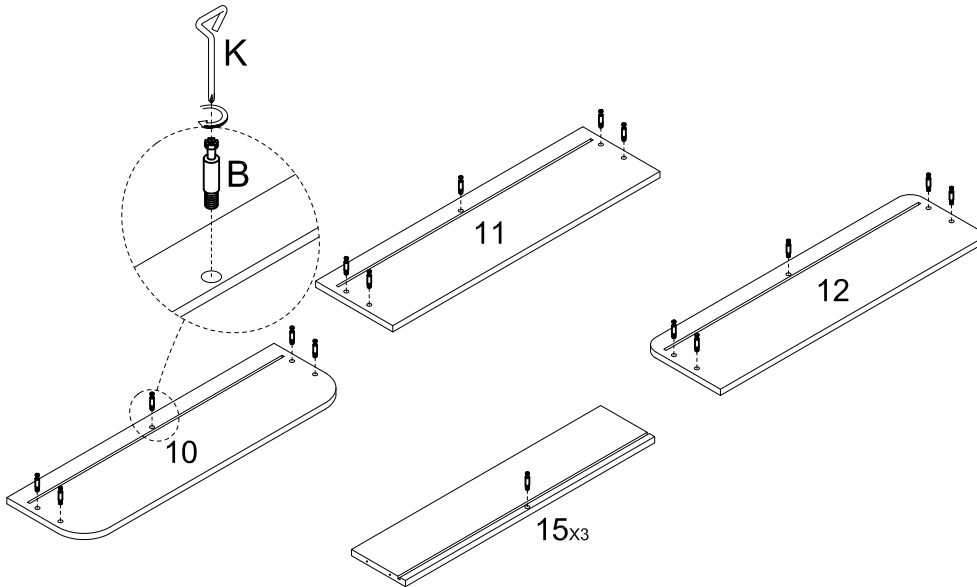


C2

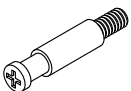
No. F
Quantity: 18 Pcs



STEP 10

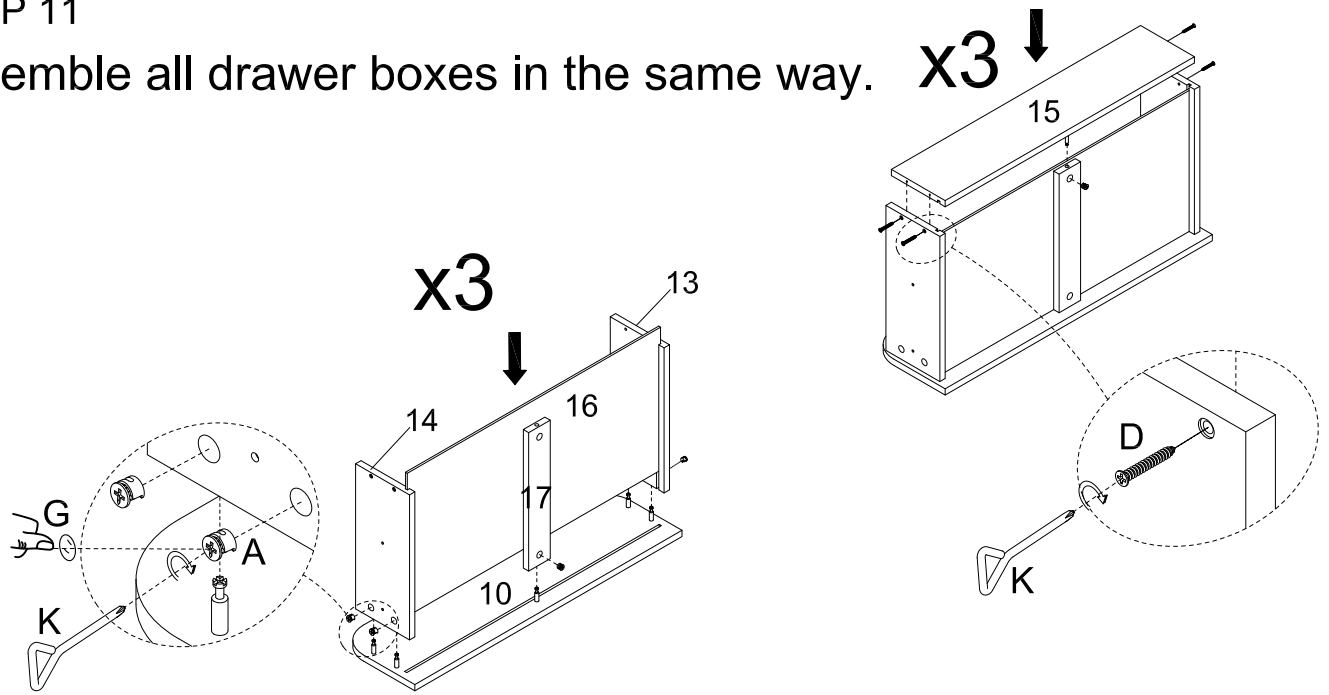


No. B
Quantity: 18 Pcs



STEP 11

Assemble all drawer boxes in the same way.



No. A
Quantity: 18 Pcs



No. D
Quantity: 12 Pcs

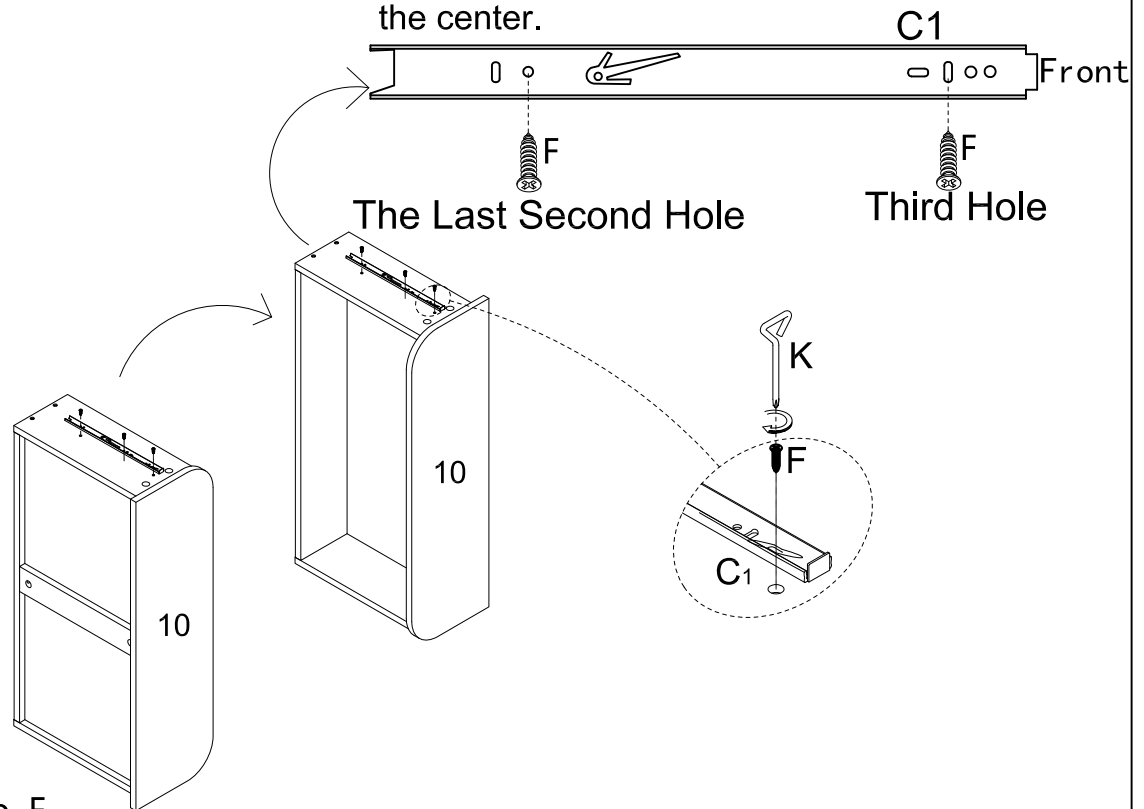


No. G
Quantity: 18 Pcs

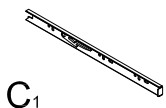


STEP 12

NOTE: Please through the hole in the center.



No. C
Quantity: 6 Pcs



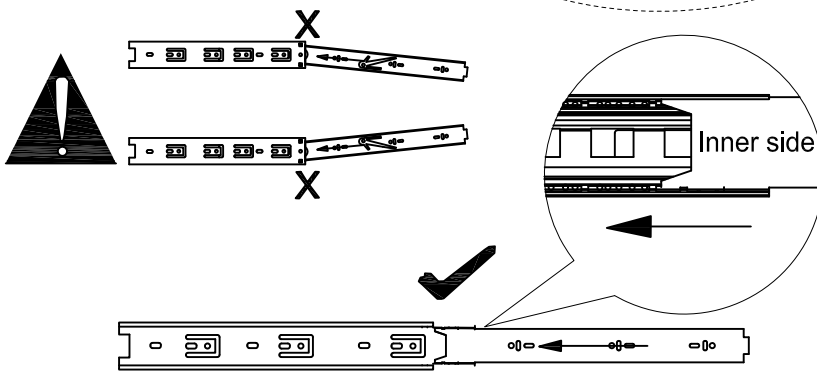
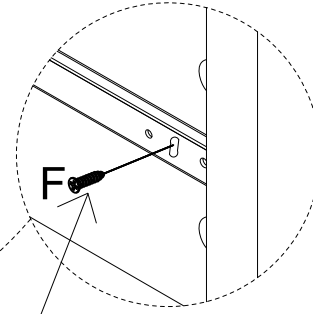
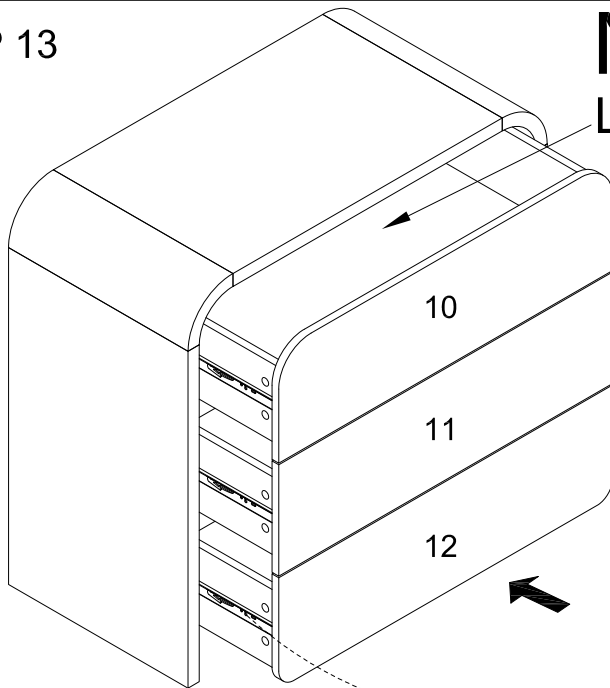
No. F
Quantity: 18 Pcs



STEP 13

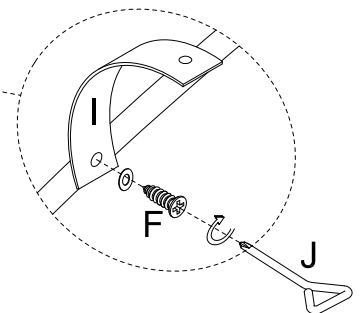
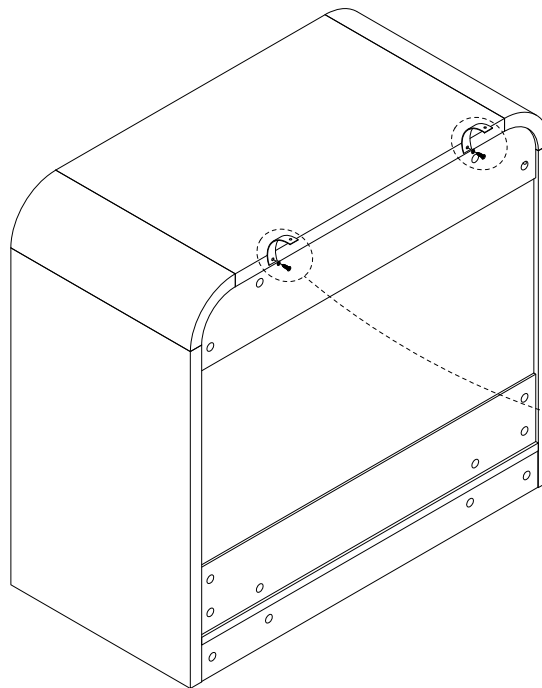
Note:

Load capacity, 6 kgs each drawer.



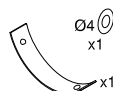
This screw can adjust the gap between the higher and lower, the position of screw remains the same, just loosen the slide rail up and down.

STEP 14



No. F
Quantity: 2 Pcs

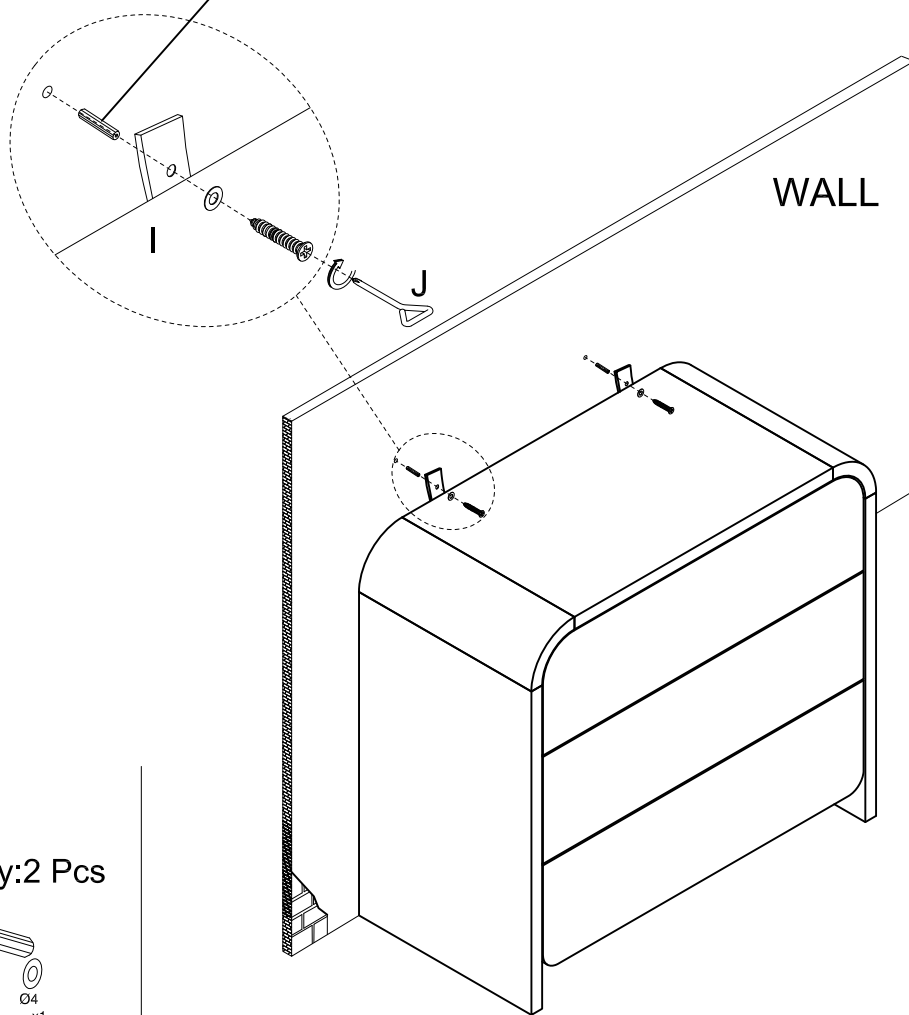
No. I
Quantity: 2 Pcs



L=200mm

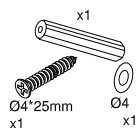
STEP 15

DRILL HOLE OF Ø 6 x D35mm



No. I

Quantity: 2 Pcs



TOPPLING FURNITURE WARNING:

- It is strongly recommended that this product is permanently fixed to the wall.
- Please seek professional advice if you are in doubt of what fixing device to use.
- Regularly check that anchors are securely maintained.
- Stability of tall items may be affected by thick pile carpet or uneven floors .
- Do not place unanchored televisions on furniture .

CAUTION: for your safety when attaching the anchor fixings, please note the following:

- Check any electrical wires or plumbing inside the wall before drilling any holes (if you are unsure please seek professional advice from a qualified tradesperson).



WARNING: PLEASE SECURE YOUR FURNITURE WITH THE SUPPLIED WALL FIXING. SCAN THE CODE FOR MORE INFORMATION.



lifely.com.au

Great job. You're done!

Don't forget to share how it looks in
your space and tag us on Instagram.

@lifelyhome #homewithlifely!