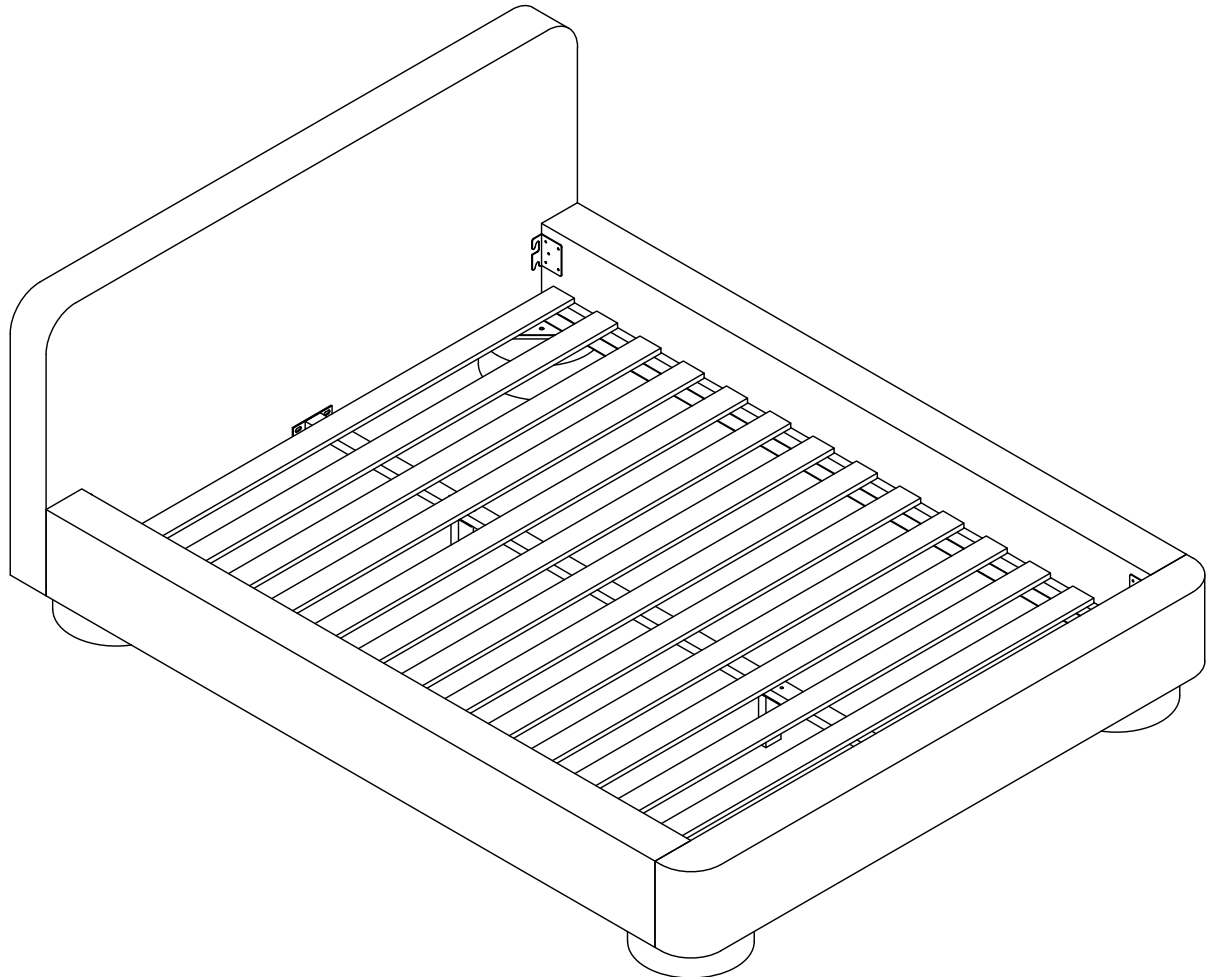


Assembly Instructions

Ella Series



Lifely*

Product Code

ELLA-BF-K Bed Frame

ELLA-BF-Q Bed Frame

ELLA-BF-D Bed Frame

Dimensions(W x D x H)

2080*2280*900mm

1780*2280*900mm

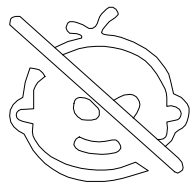
1630*1980*900mm

Important

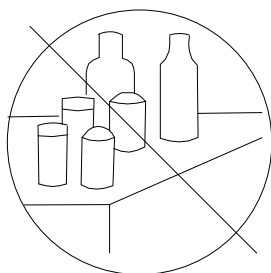
Please read through instruction carefully
Before assembly and keep for future reference.

For our full catalogue of assembly instructions,
Visit: lifely.com.au/assembly.

Important Tips and Maintenance



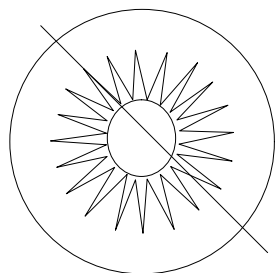
1. Keep children and animals away from working area as smaller parts may cause choking if swallowed.



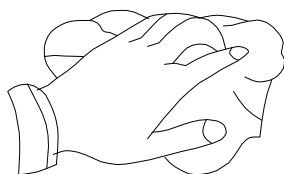
2. Never place liquids or anything damp upon furniture as it will mark. Ensure a coaster or running is beneath.



3. Never use ammonia based cleaning products as it will damage the finish.



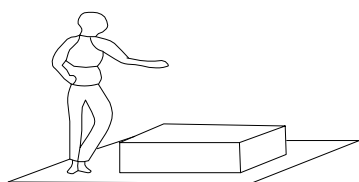
4. To avoid fading, keep furniture out of direct sunlight.



5. Use a soft cloth(dry cloth)when wiping or cleaning surfaces.



6. Two person are required.



7. Lay a soft matt down to protect the furniture piece before and during assembly.

So your relationship is strong. But is it flat-pack furniture strong? Unless you're an aerospace engineer, assembling furniture can be slightly stressful. We recommend meditating quietly, pouring yourself a herbal tea (or slightly less herbal wine) and tackling things one step at a time. If you feel a passive aggressive remark coming on, try a compliment instead. E.g. "You're so good looking"

This 9-step assembly should take around 70 minutes with an Allen Key - or 50 minutes with an electric drill.
Godspeed.

Designed for everyday

Hardware is in box 1

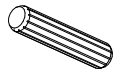
Please check you have all the fittings part or tools are listed in below.

No. A

Quantity:8 Pcs

Dowel

10*40mm

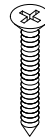


No. B

Quantity:28 Pcs

Screw

4*30mm



No. C

Quantity:20 Pcs

Screw

4*16mm

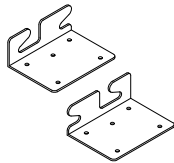


No. D

Quantity:2 Sets

Hook

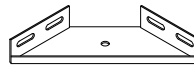
88*66*35



No. E

Quantity:4 Pcs

Bracket

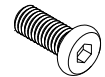


No. F

Quantity:36 Pcs

Screw

M8*20mm



No. G

Quantity:36 Pcs

Flat Washer

φ22

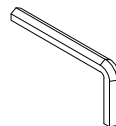


No. H

Quantity:2 Pcs

Allen Key

M5



No. I

Quantity:16 Pcs

Round Pad

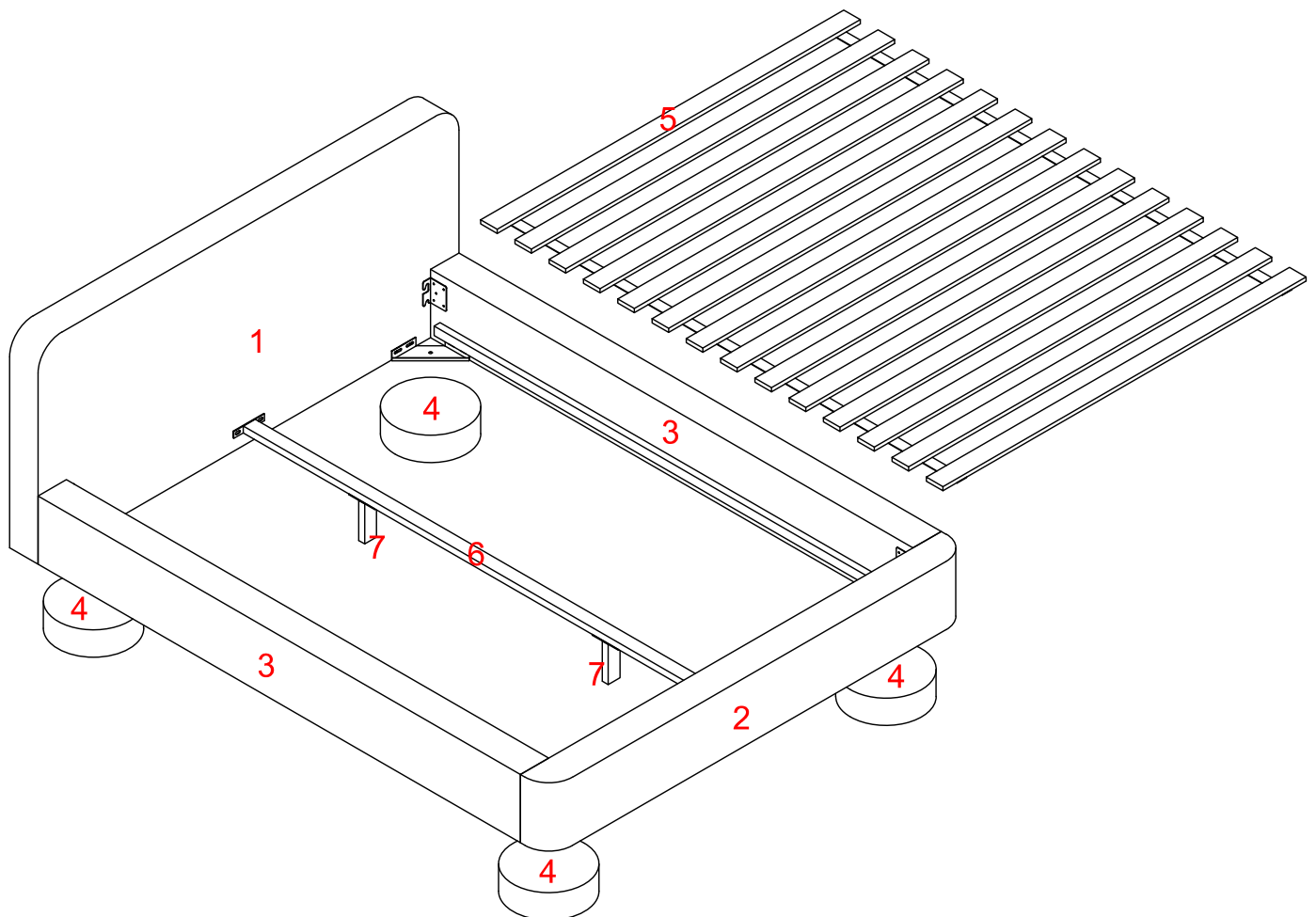
φ30



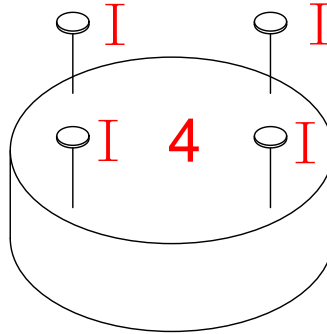
Component Panels & part List

Please check you have all the panels are listed below.

1. HEADBOARD x1 CTN 4/4
2. FOOTBOARD x1 CTN 3/4
3. SIDE RAILS x2 CTN 1/4=1 2/4=1
4. LEGS x4 CTN 1/4=2 2/4=2
5. BED SLATS x1 CTN 3/4
6. MIDDLE CENTRE SUPPORT x1 CTN 2/4
7. SUPPORT LEGS x2 CTN 1/4



STEP 1

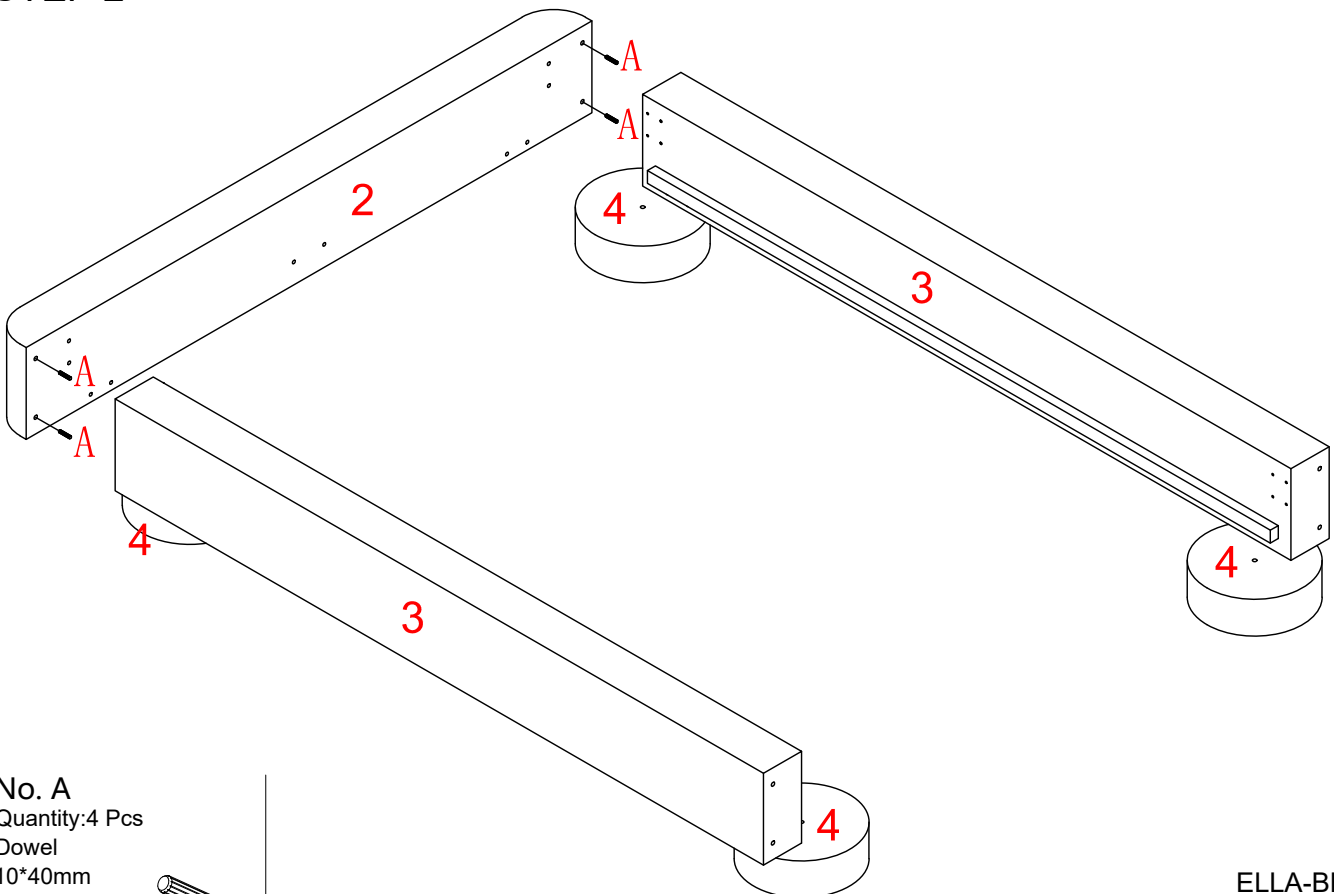


X4

No. I
Quantity: 16 Pcs
Round Pad
φ30



STEP 2

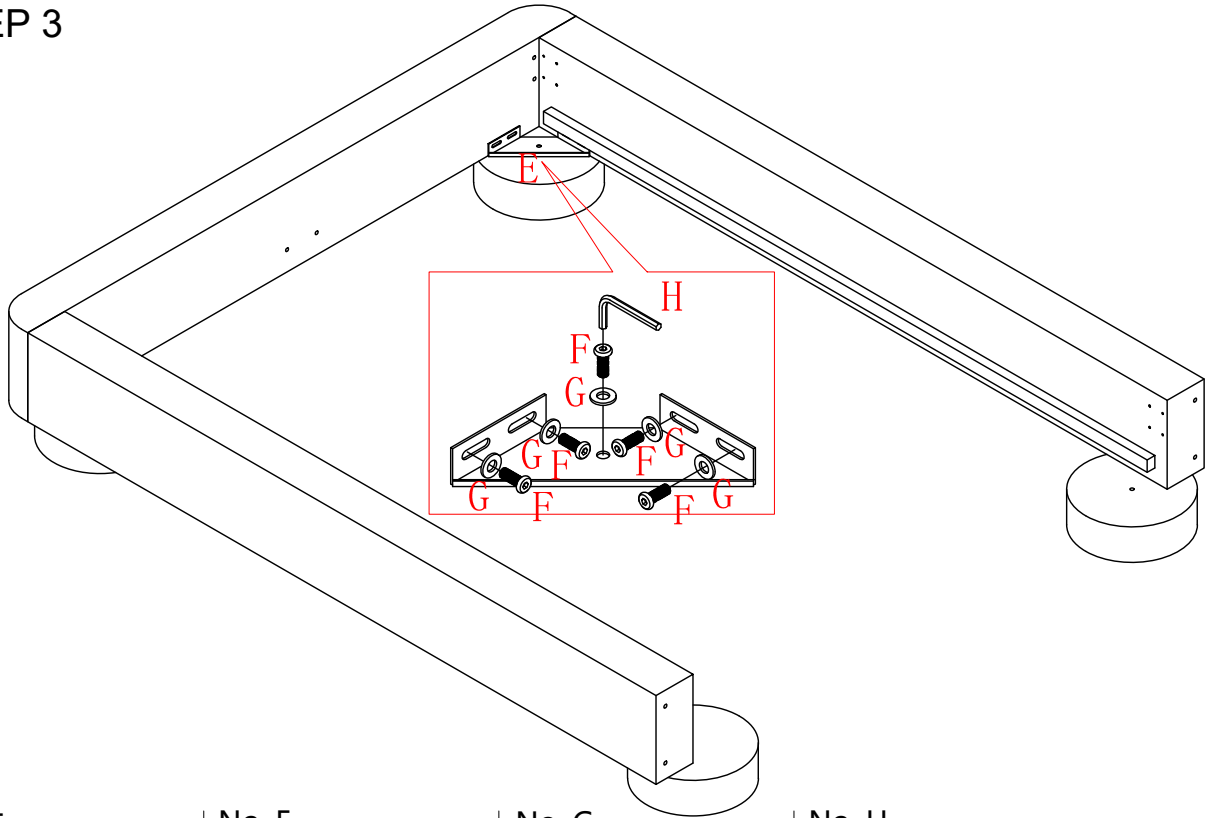


No. A
Quantity: 4 Pcs
Dowel
10*40mm

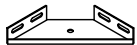


ELLA-BF-K
ELLA-BF-Q
ELLA-BF-D 6

STEP 3



No. E
Quantity: 2 Pcs
Bracket



No. F
Quantity: 10 Pcs
Screw
M8*20mm



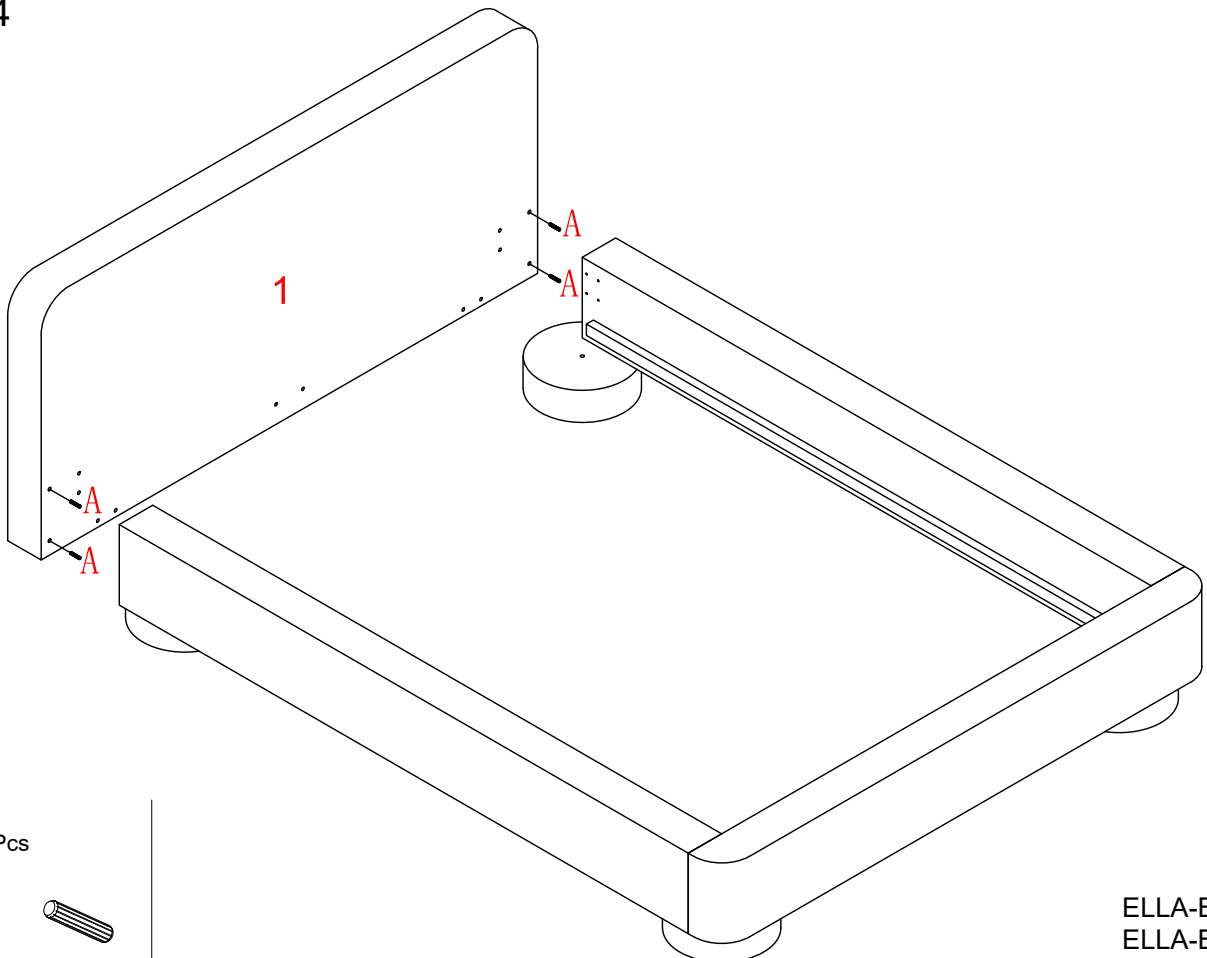
No. G
Quantity: 10 Pcs
Flat Washer



No. H
Quantity: 1 Pc
Allen Key
M5



STEP 4

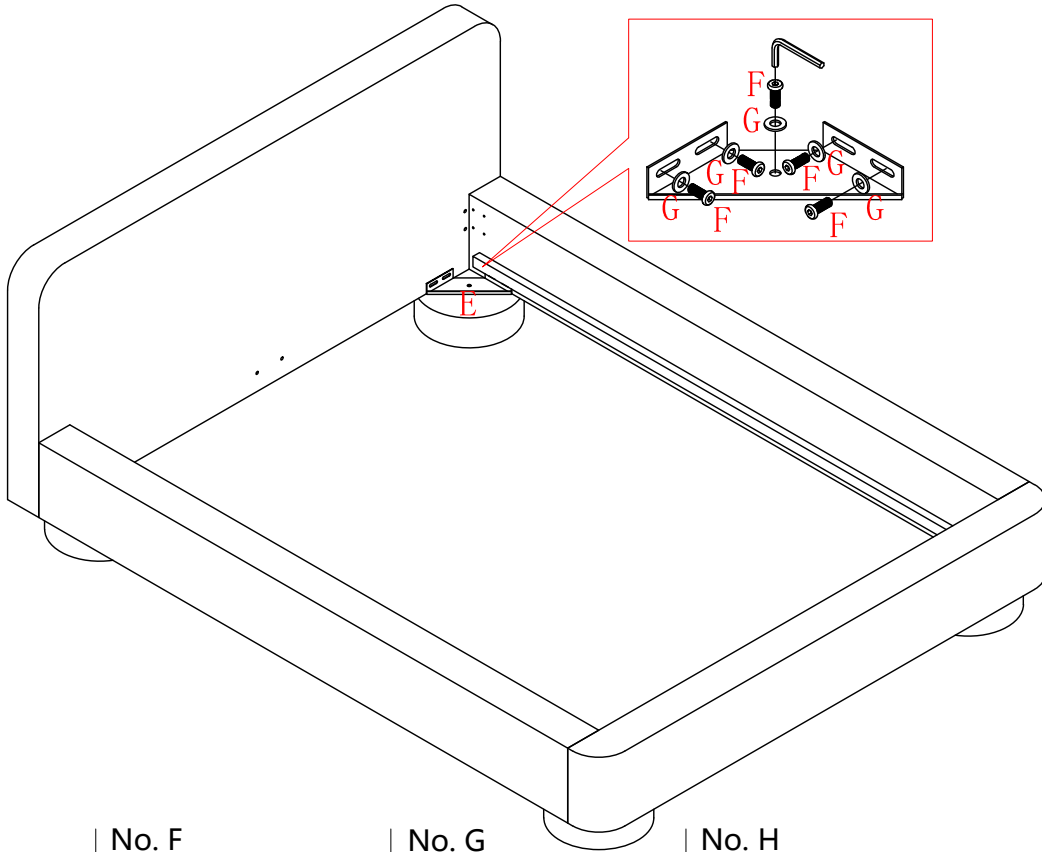


No. A
Quantity: 4 Pcs
Dowel
10*40mm

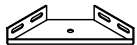


ELLA-BF-K
ELLA-BF-Q
ELLA-BF-D 7

STEP 5



No. E
Quantity: 2 Pcs
Bracket



No. F
Quantity: 10 Pcs
Screw
M8*20mm



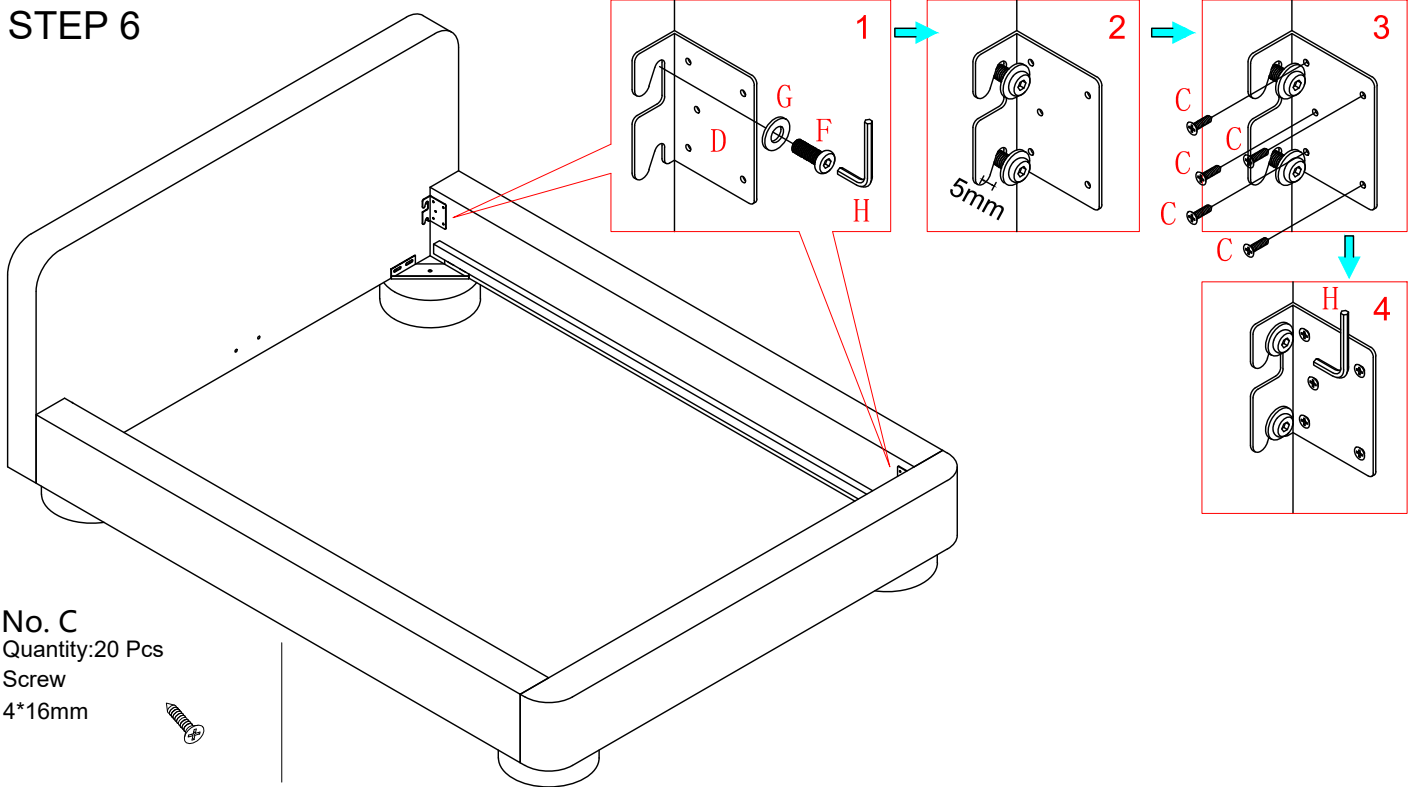
No. G
Quantity: 10 Pcs
Flat Washer



No. H
Quantity: 1 Pc
Allen Key
M5



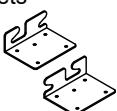
STEP 6



No. C
Quantity: 20 Pcs
Screw
4*16mm



No. D
Quantity: 2 Sets
Hook
88*66*35



No. F
Quantity: 8 Pcs
Screw
M8*20mm



No. G
Quantity: 8 Pcs
Flat Washer

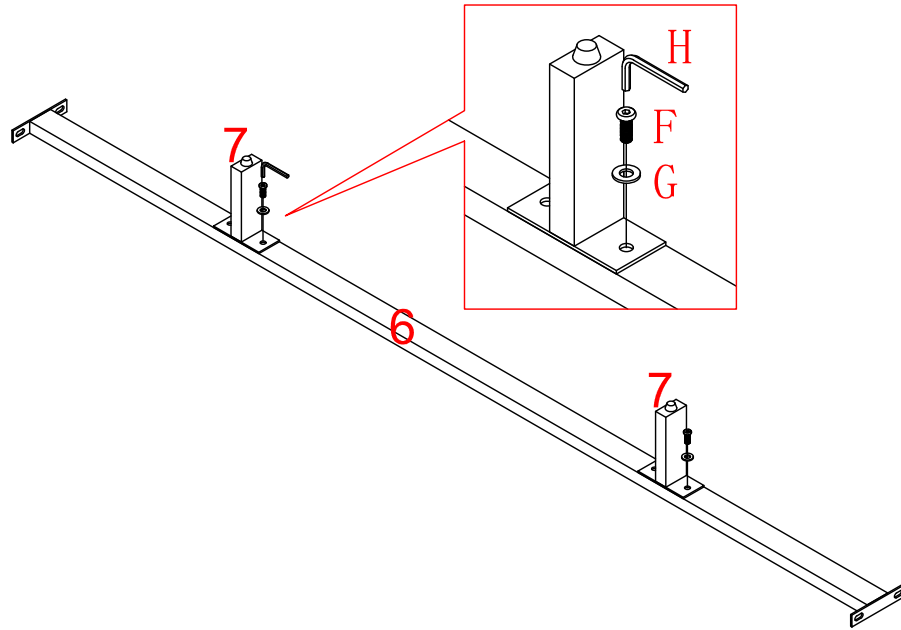


No. H
Quantity: 1 Pc
Allen Key
M5



ELLA-BF-K
ELLA-BF-Q
ELLA-BF-D 8

STEP 7



No. F
Quantity:4 Pcs
Screw
M8*20mm



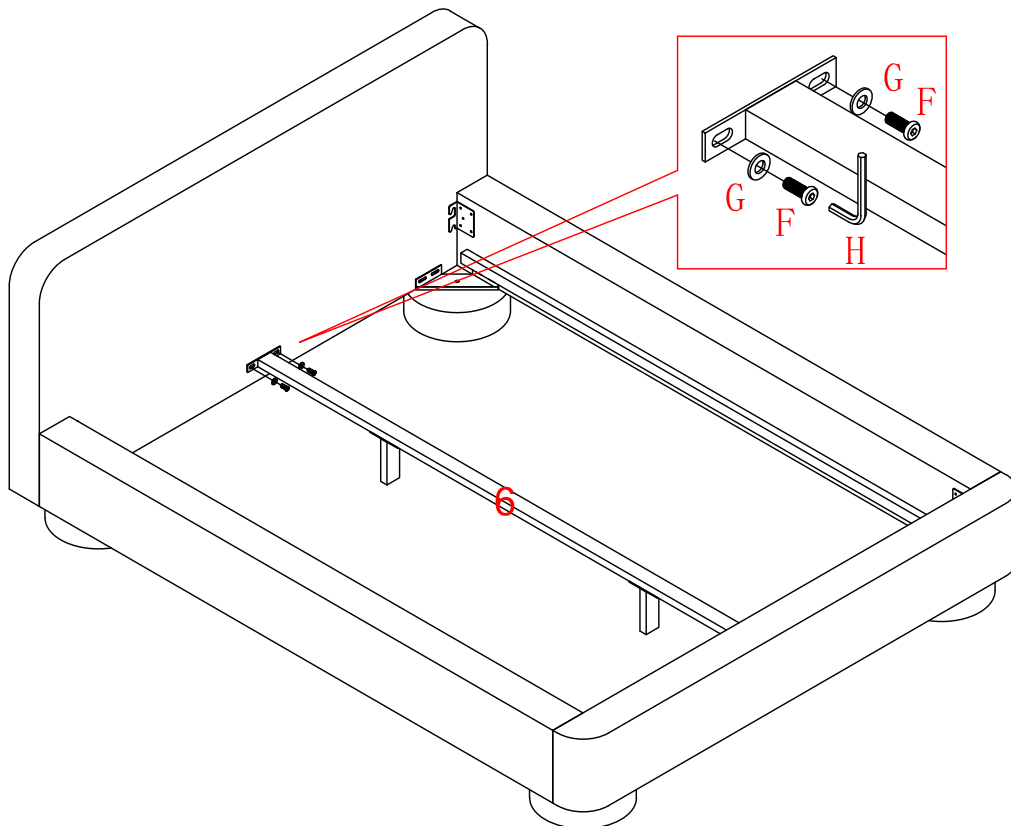
No. G
Quantity:4 Pcs
Flat Washer



No. H
Quantity:1 Pc
Allen Key
M5



STEP 8



No. F
Quantity:4 Pcs
Screw
M8*20mm



No. G
Quantity:4 Pcs
Flat Washer

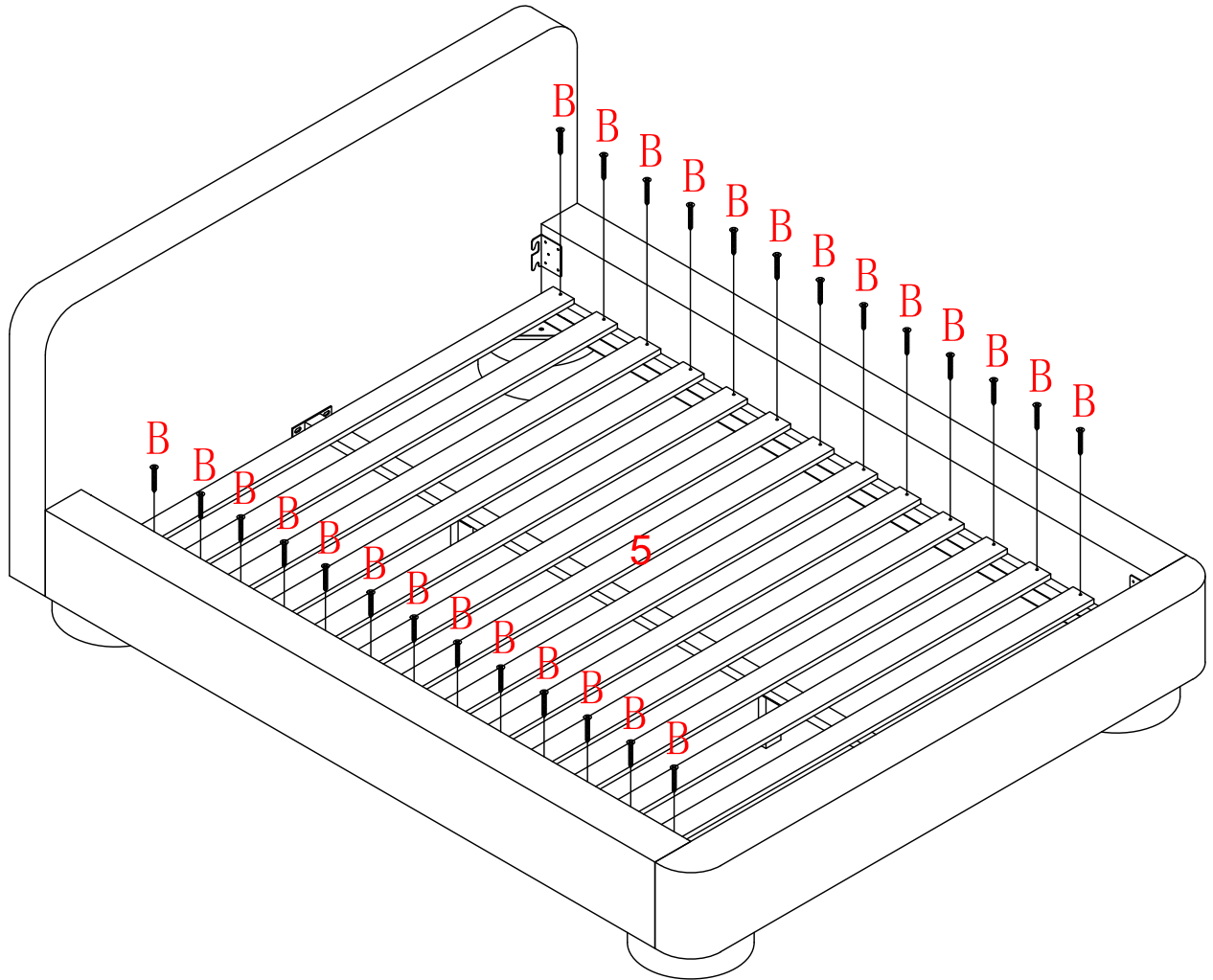


No. H
Quantity:1 Pc
Allen Key
M5



ELLA-BF-K
ELLA-BF-Q
ELLA-BF-D 9

STEP 9



No. B
Quantity: 28 Pcs
Screw
4*35mm



ELLA-BF-K
ELLA-BF-Q
ELLA-BF-D 10

lifely.com.au

Great job. You're done!

Gentle reminder:
recommended mattress thickness is 20 to 35cm
for maximal level of sleeping comfort.

Don't forget to share how it looks in
your space and tag us on Instagram.
@lifelyhome#homewithlifely!