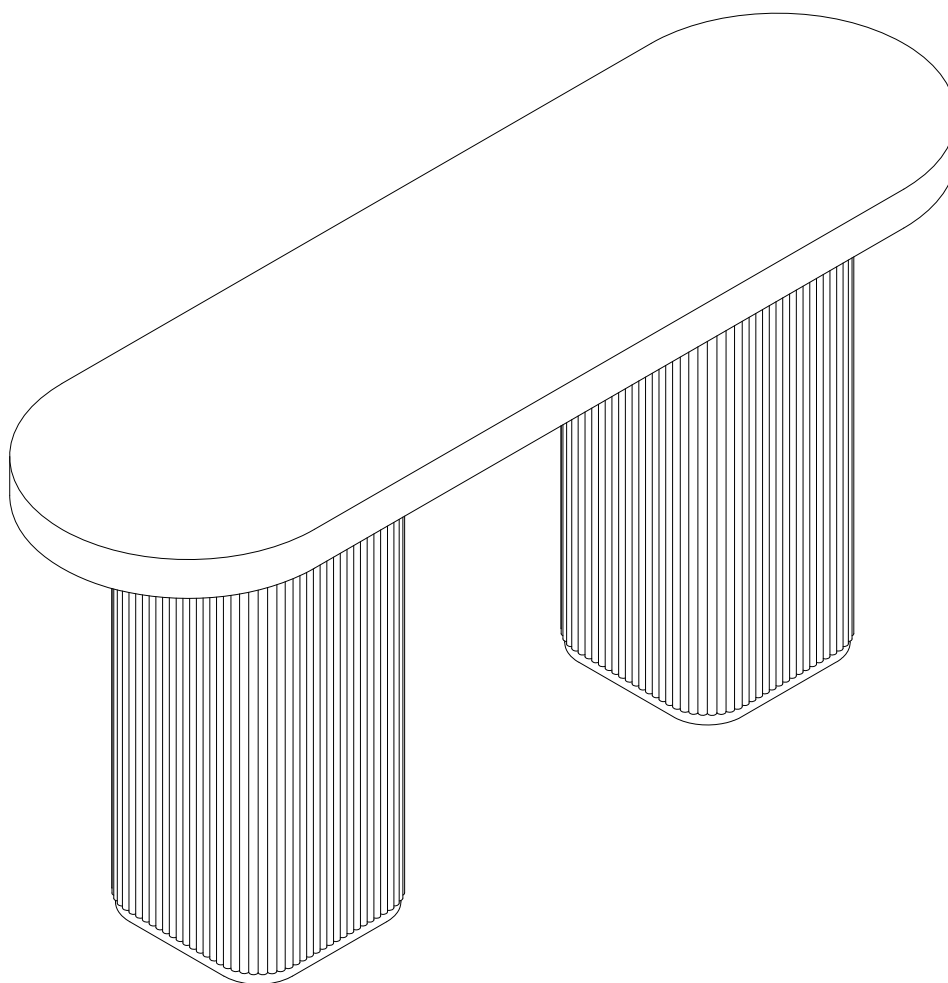


Assembly Instructions

Tate Series



Lifely*

Product Code

TATE-CST-BLK/TATE-CST-NATURAL Tate Console Table

Dimensions (W x D x H)

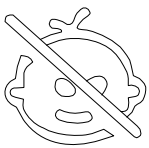
1500*450*750mm

Important

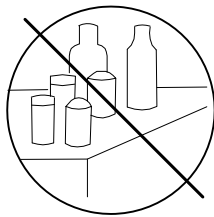
Please read through instruction carefully
Before assembly and keep for future reference.

For our full catalogue of assembly instructions,
Visit: lifely.com.au/assembly.

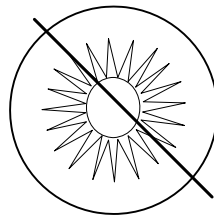
Important Tips and Maintenance



1. Keep children and animals away from working area as smaller parts may cause choking if swallowed.



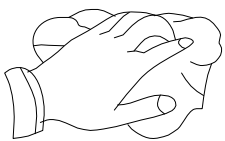
2. Never place liquids or anything damp upon furniture as it will mark. Ensure a coaster or running is beneath.



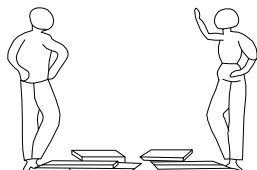
3. Never use ammonia based cleaning products as it will damage the finish.



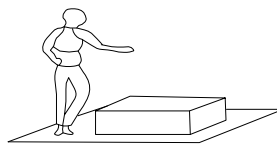
4. To avoid fading, keep furniture out of direct sunlight.



5. Use a soft or damp cloth(dry cloth)when wiping or cleaning surfaces.



6. Two person are required.



7. Lay a soft matt down to protect the furniture piece before and during assembly.

So your relationship is strong. But is it flat-pack furniture strong? Unless you're an aerospace engineer, assembling furniture can be slightly stressful. We recommend meditating quietly, pouring yourself a herbal tea (or slightly less herbal wine) and tackling things one step at a time. If you feel a passive aggressive remark coming on, try a compliment instead. E.g. "You're so good looking."

This 7-step assembly should take around 80 minutes with an Allen key - or 60 minutes with an electric drill.

Designed for everyday

Component Hardware

Please check you have all the fittings
part or tools are listed in below.

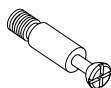
No. A

Quantity:32Pcs
Cam Lock
 ϕ 15*10mm



No. B

Quantity:32Pcs
Cam Lock Dowel
 ϕ 7*25



No. C

Quantity:1Pc
Key



No. D

Quantity:32 Pcs
Cover
 ϕ 21mm



No. E

Screw:8 Pcs
 ϕ 7*38



No. F

Quantity:32Pcs
Wood Dowel
 ϕ 8*30mm



No. G

Quantity:2 Pcs
Screw
 ϕ 3.5*14mm



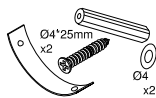
No. H

Quantity:24 Pcs
Screw
M6*18mm



No. I

Quantity:8Pcs
EVA Pad
 ϕ 15mm
L=200mm



No. J

Quantity:8Pcs
EVA Pad
 ϕ 15mm



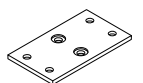
No. K

Quantity:1 Pc
Key
4mm



No. L

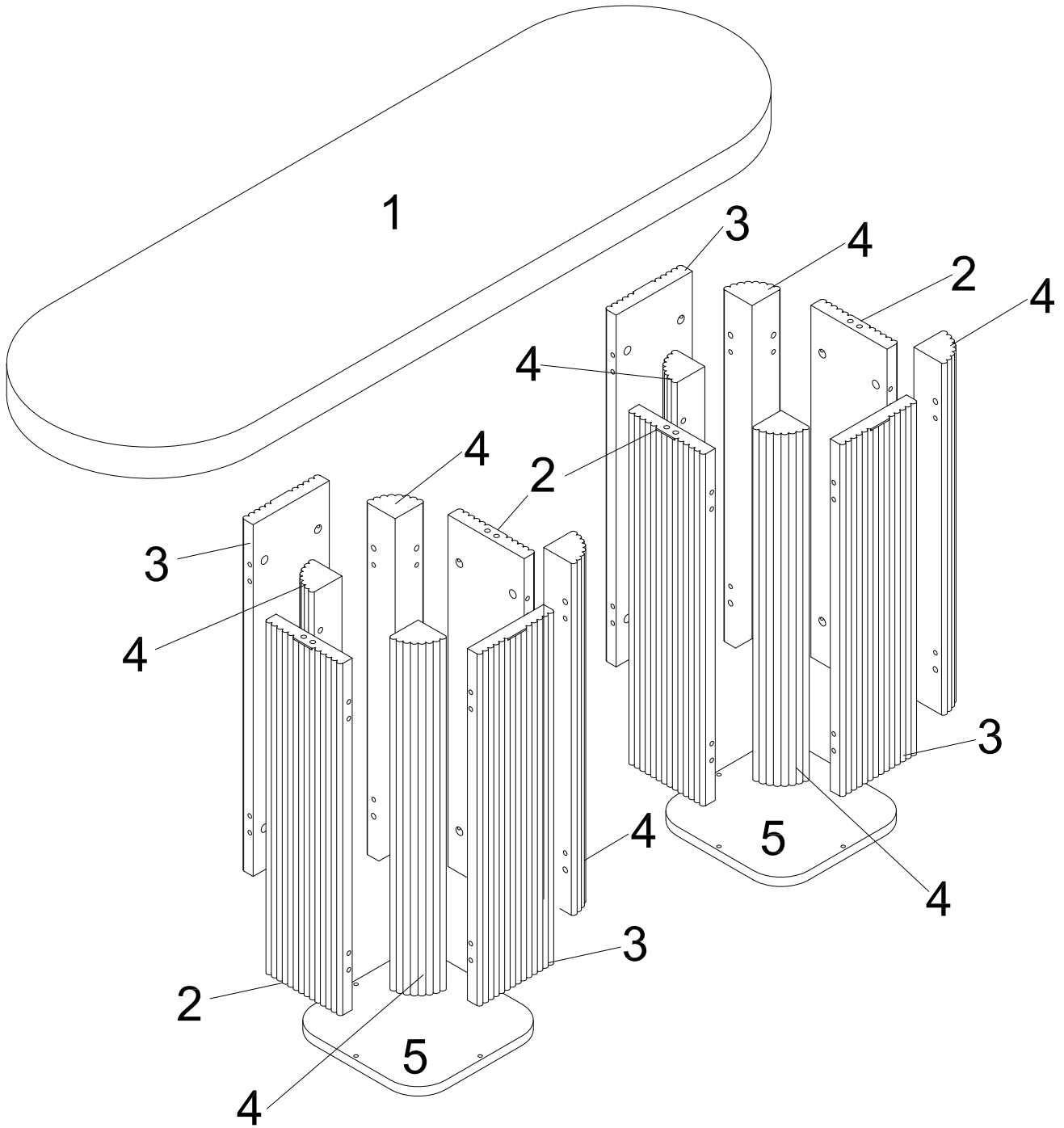
Quantity:4 Pcs
Metal bar



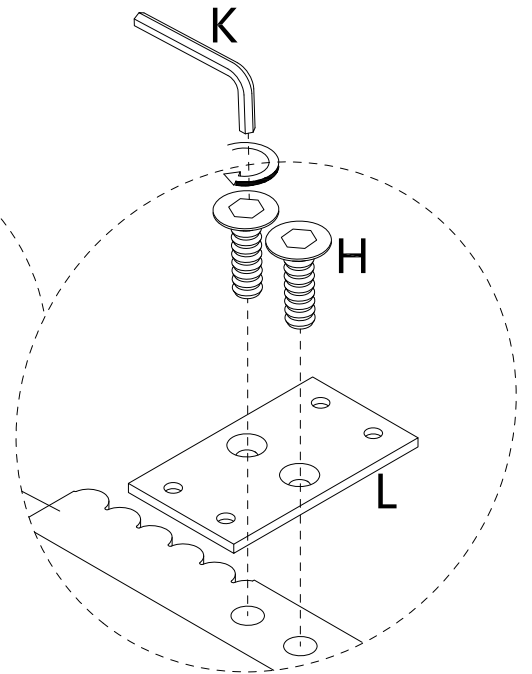
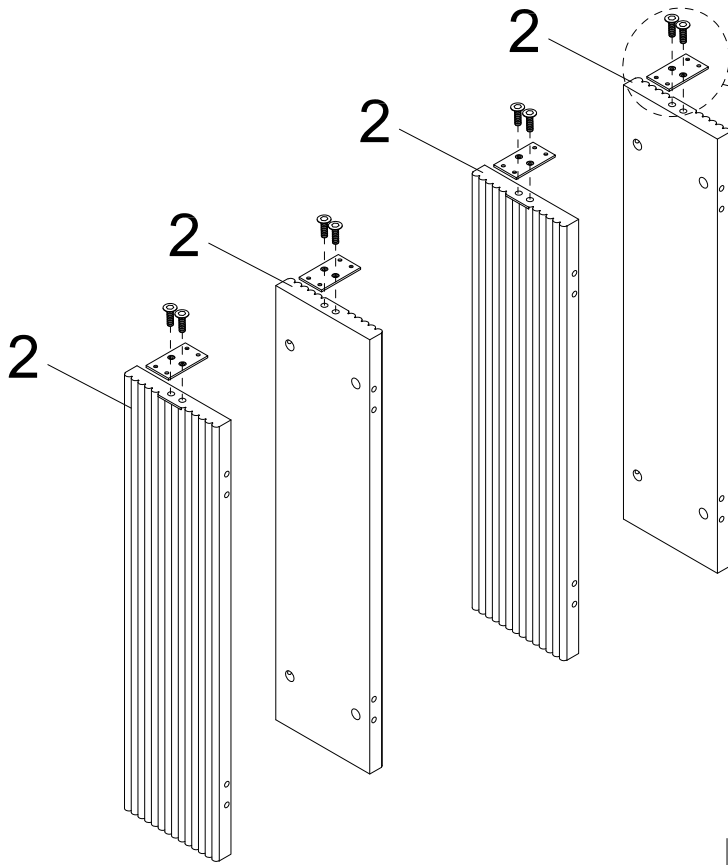
Component Panels & part List

Please check you have all the panels
are listed below.

- 1. Top Panel-----x1 CTN 2/2
- 2. Side Panel A-----x4 CTN 1/2
- 3. Side Panel B-----x4 CTN 1/2
- 4. Corner Leg-----x8 CTN 1/2
- 5. Bottom Panel-----x2 CTN 1/2



STEP 1



Please make sure screw H is flat with metal plate L after screwing.

No. H

Quantity:8 Pcs



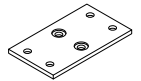
No. K

Quantity:1 Pc

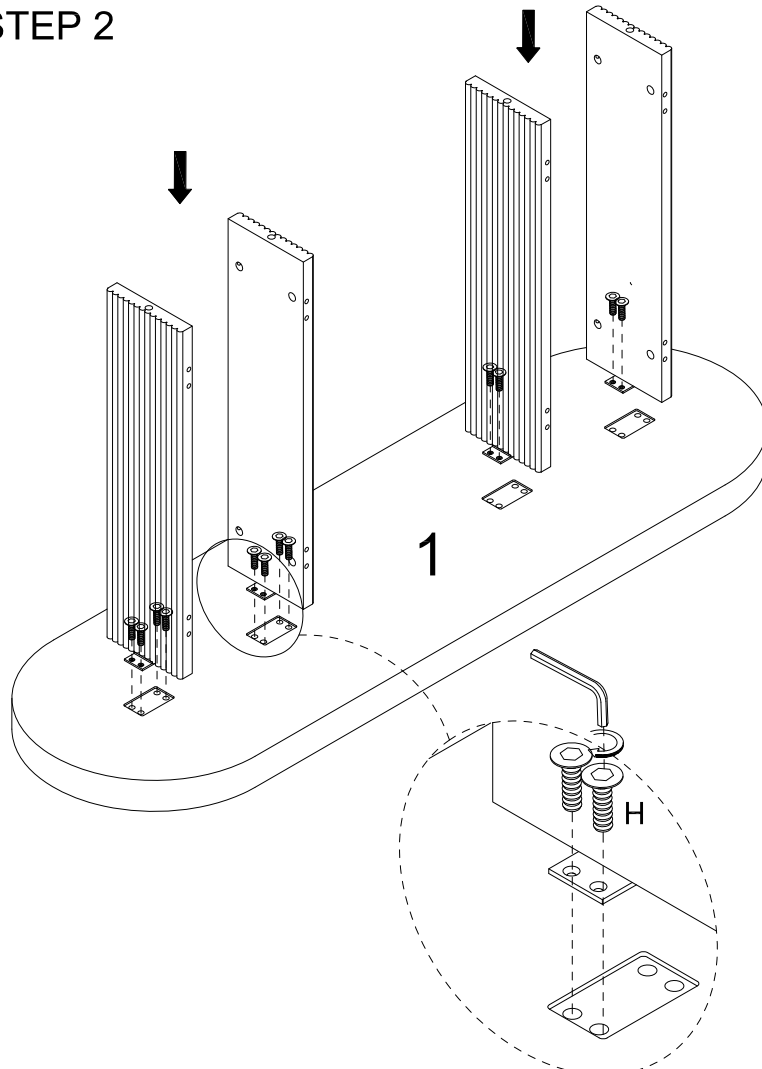


No. L

Quantity:4 Pcs



STEP 2



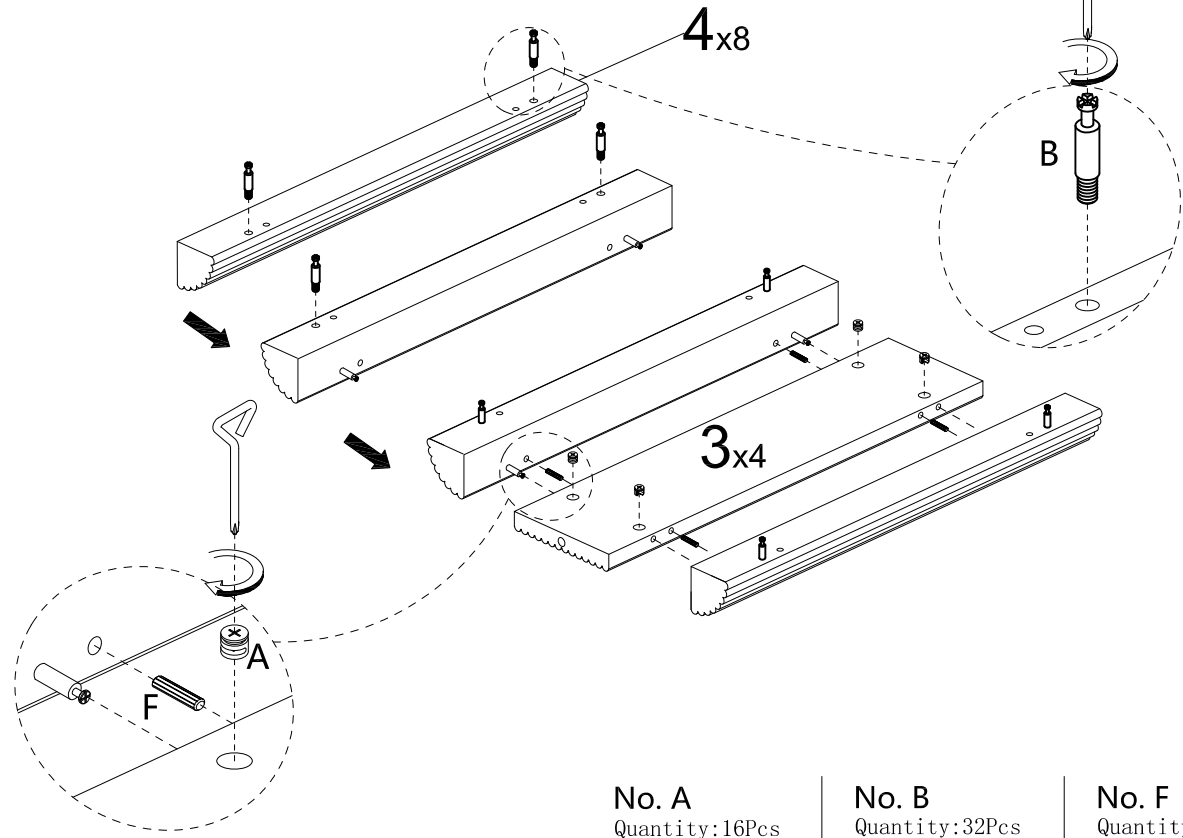
No. H

Quantity:16 Pcs



Please tighten all the screw "H" by hand first, then tighten fully by allen key.

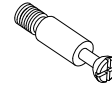
STEP 3



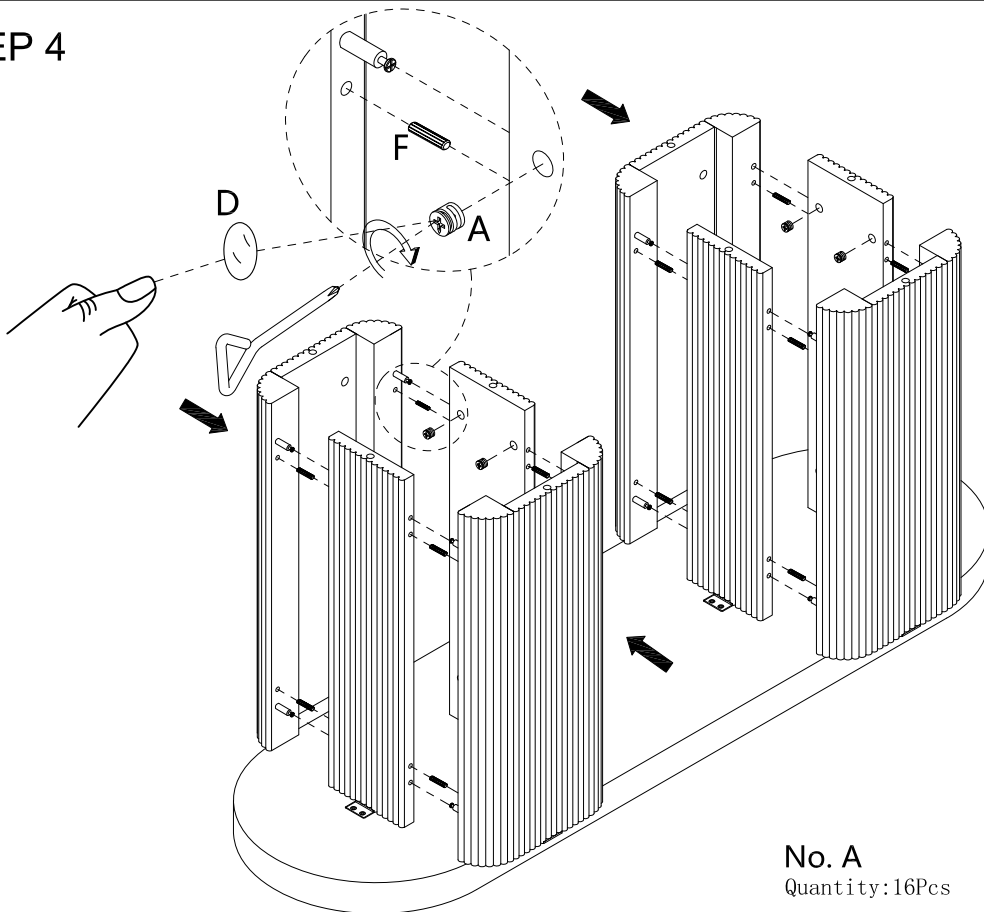
No. A
Quantity:16Pcs

No. B
Quantity:32Pcs

No. F
Quantity:16Pcs



STEP 4



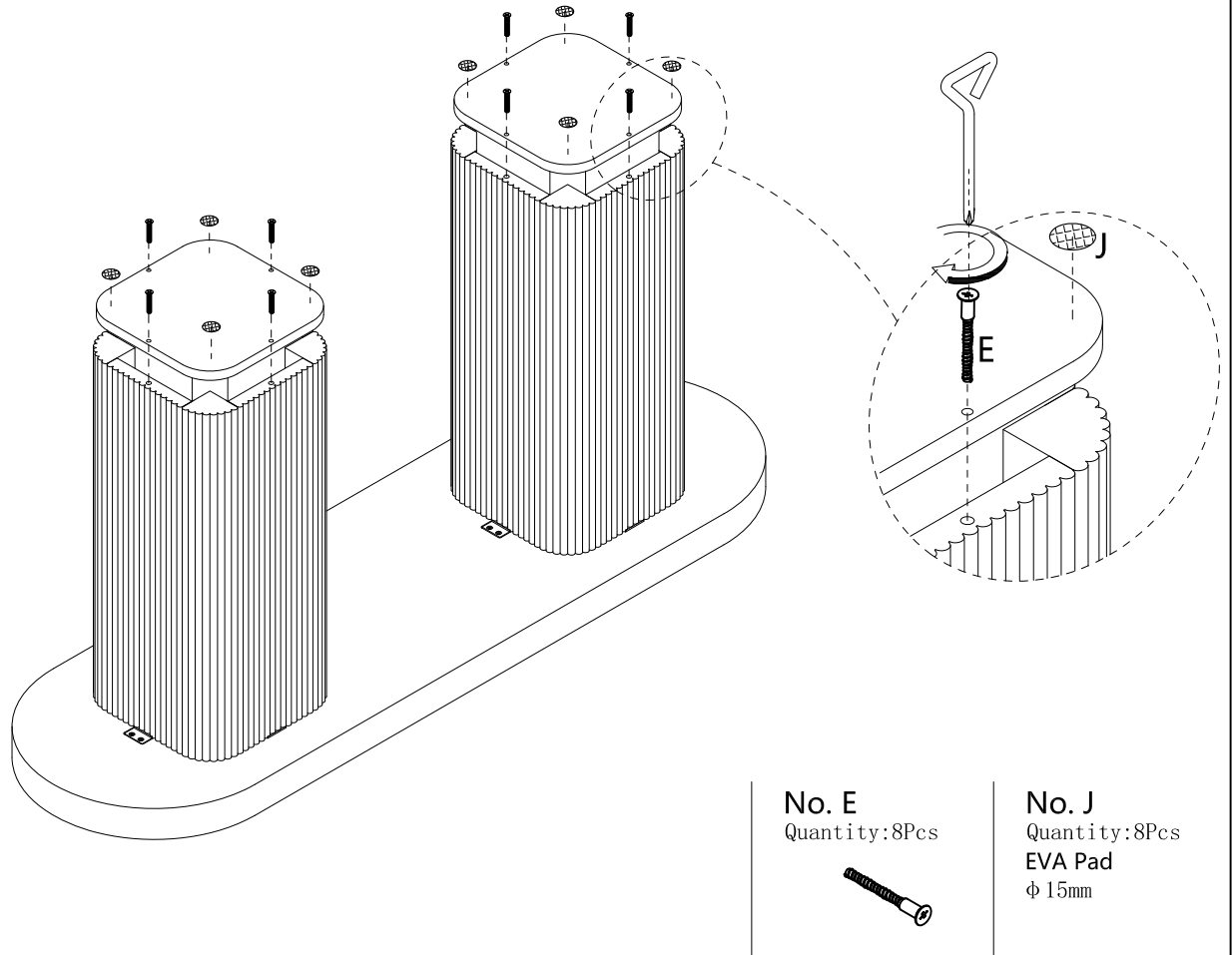
No. A
Quantity:16Pcs

No. D
Quantity:32Pcs
Cover
Φ 21mm

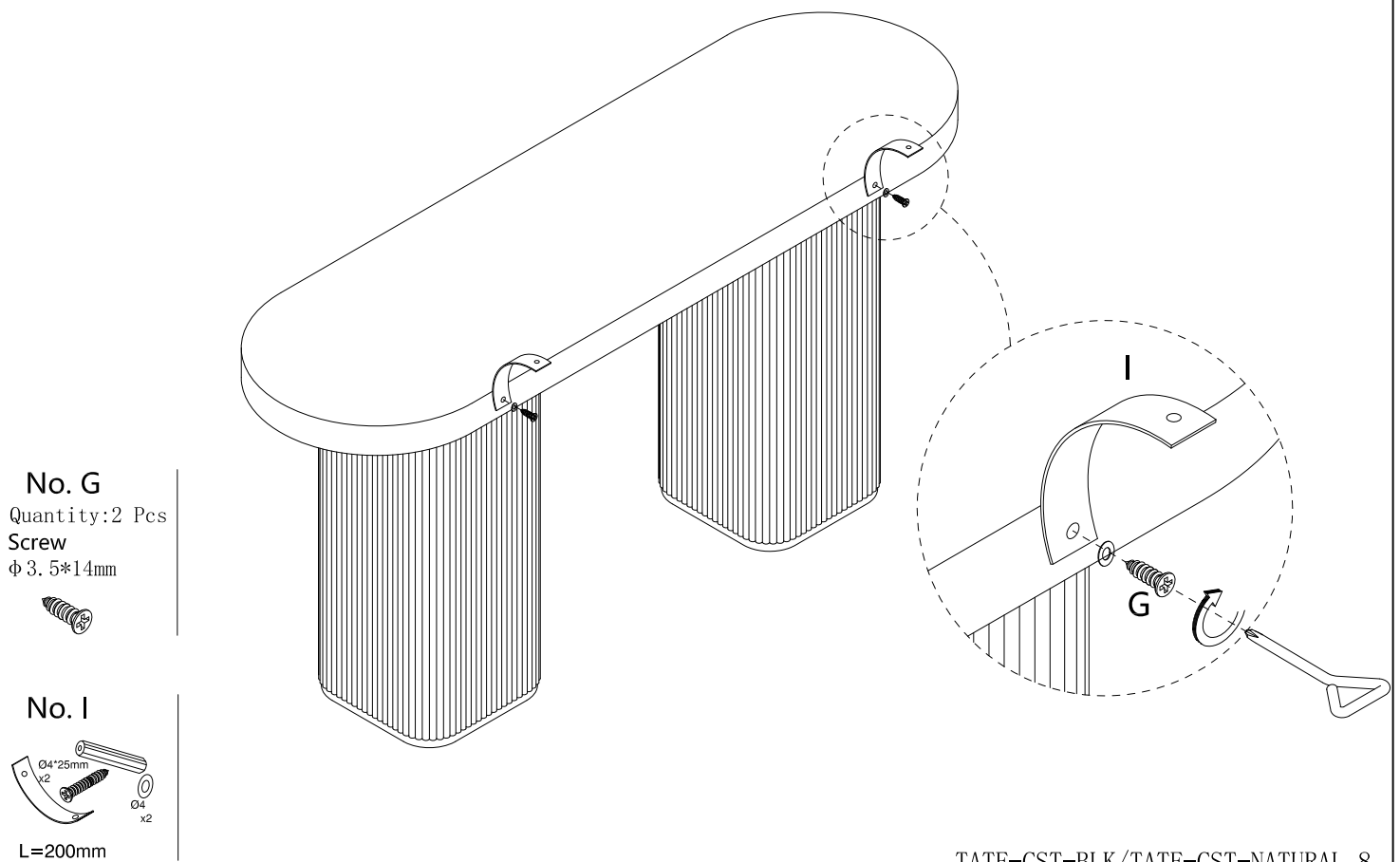
No. F
Quantity:16Pcs



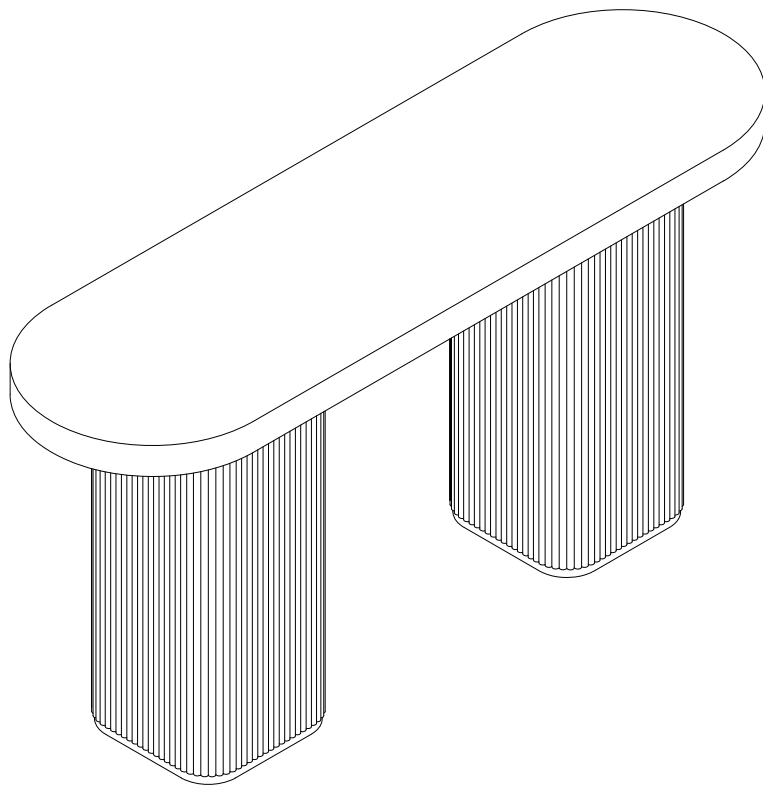
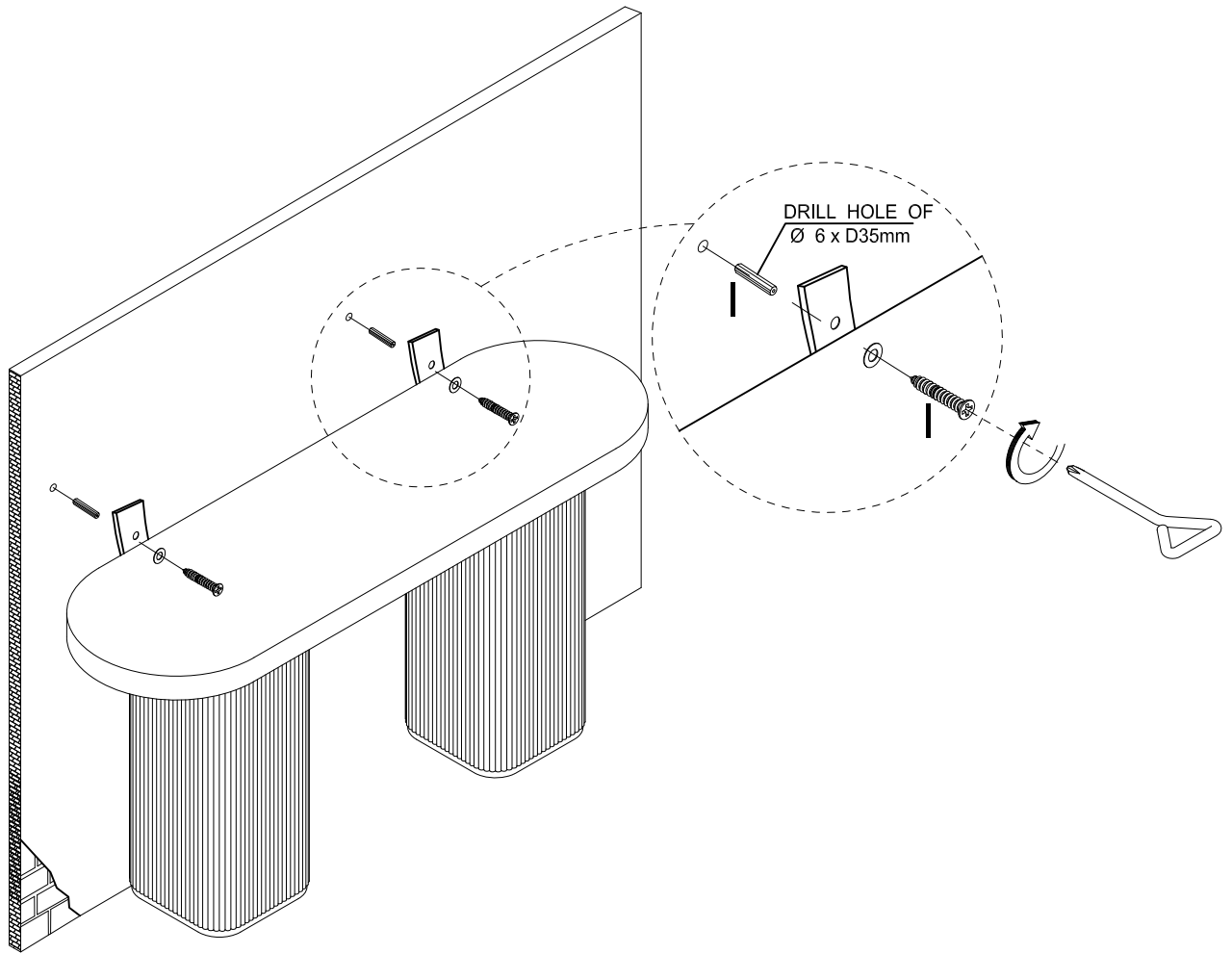
STEP 5



STEP 6



STEP 7



lifely.com.au

Great job. You're done!

Don't forget to share how it looks in
your space and tag us on Instagram.

@lifelyhome #homewithlifely!