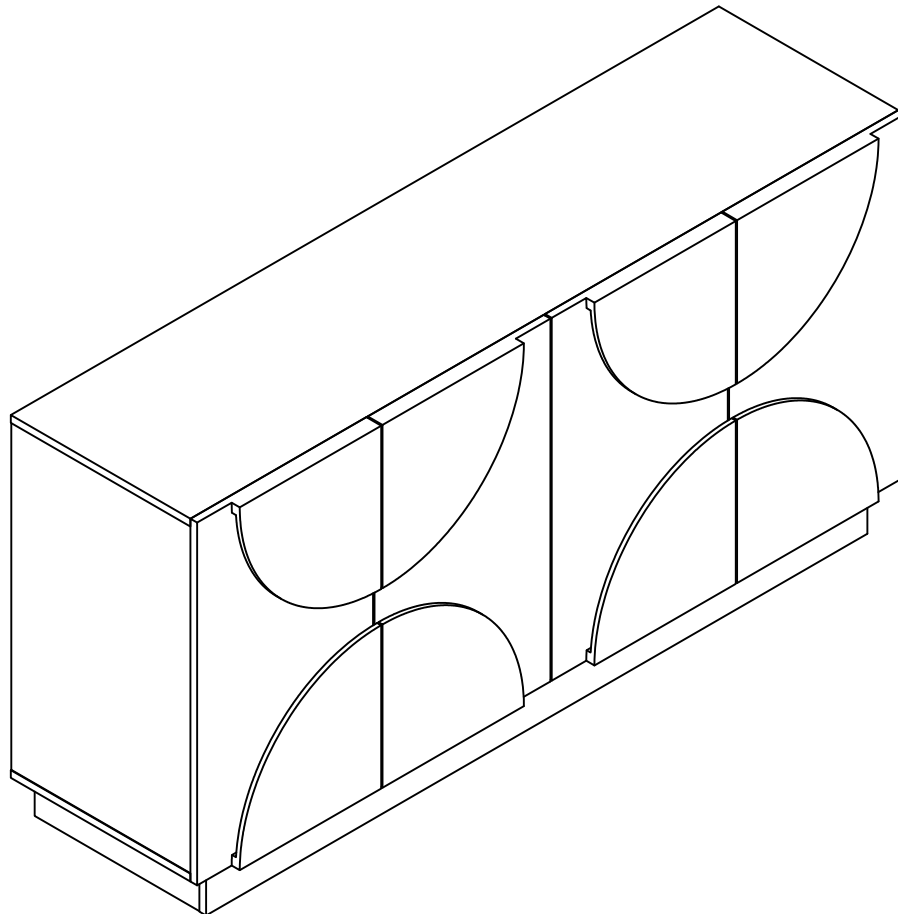


# Assembly Instructions

## Cleo Series



# Lifely\*

### Product Code

CLE0-SB-OAK Cleo Sideboard

### Dimensions (W x D x H)

1577\*433\*800mm

---

### Important

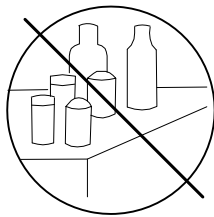
Please read through instruction carefully  
Before assembly and keep for future reference.

For our full catalogue of assembly instructions,  
Visit: [lifely.com.au/assembly](http://lifely.com.au/assembly).

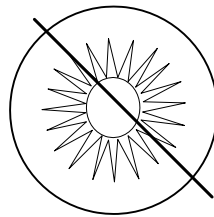
## Important Tips and Maintenance



1. Keep children and animals away from working area as smaller parts may cause choking if swallowed.



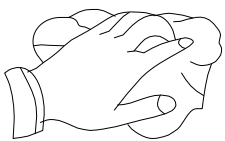
2. Never place liquids or anything damp upon furniture as it will mark. Ensure a coaster or running is beneath.



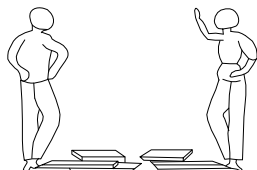
3. Never use ammonia based cleaning products as it will damage the finish.



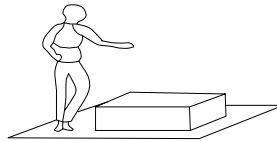
4. To avoid fading, keep furniture out of direct sunlight.



5. Use a soft or damp cloth when wiping or cleaning surfaces.



6. Two person are required.



7. Lay a soft matt down to protect the furniture piece before and during assembly.

So your relationship is strong. But is it flat-pack furniture strong? Unless you're an aerospace engineer, assembling furniture can be slightly stressful. We recommend meditating quietly, pouring yourself a herbal tea (or slightly less herbal wine) and tackling things one step at a time. If you feel a passive aggressive remark coming on, try a compliment instead. E.g. "You're so good looking."

This 15-step assembly should take around 60 minutes with an Allen key - or 50 minutes with an electric drill.

Designed for everyday

## Component Hardware

Please check you have all the fittings  
part or tools are listed in below.

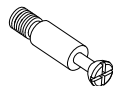
### No. A

Quantity:60Pcs  
Cam Lock  
 $\phi$  15\*10mm



### No. B

Quantity:60Pcs  
Cam Lock Dowel  
 $\phi$  7\*25



### No. C

Quantity:1Pc  
Key



### No. D

Quantity:60 Pcs  
Cover  
 $\phi$  21mm



### No. E

Quantity:8 Pcs



### No. F

Quantity:12Pcs  
Wood Dowel  
 $\phi$  8\*30mm



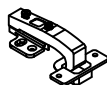
### No. G

Quantity:48 Pcs  
Screw  
 $\phi$  3.5\*14mm



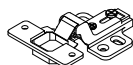
### No. H

Quantity:4 PCS  
 $\phi$  35mm



### No. I

Quantity:4 Pcs  
 $\phi$  35mm



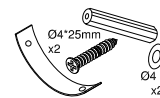
### No. J

Quantity:10Pcs  
EVA Pad  
 $\phi$  15mm



### No. K

$\phi$  4\*25mm  
x2  
 $\phi$  4  
x2  
L=200mm



### No. L

Quantity:2 Pcs  
Screw  
 $\phi$  3.5\*14mm



### No. M

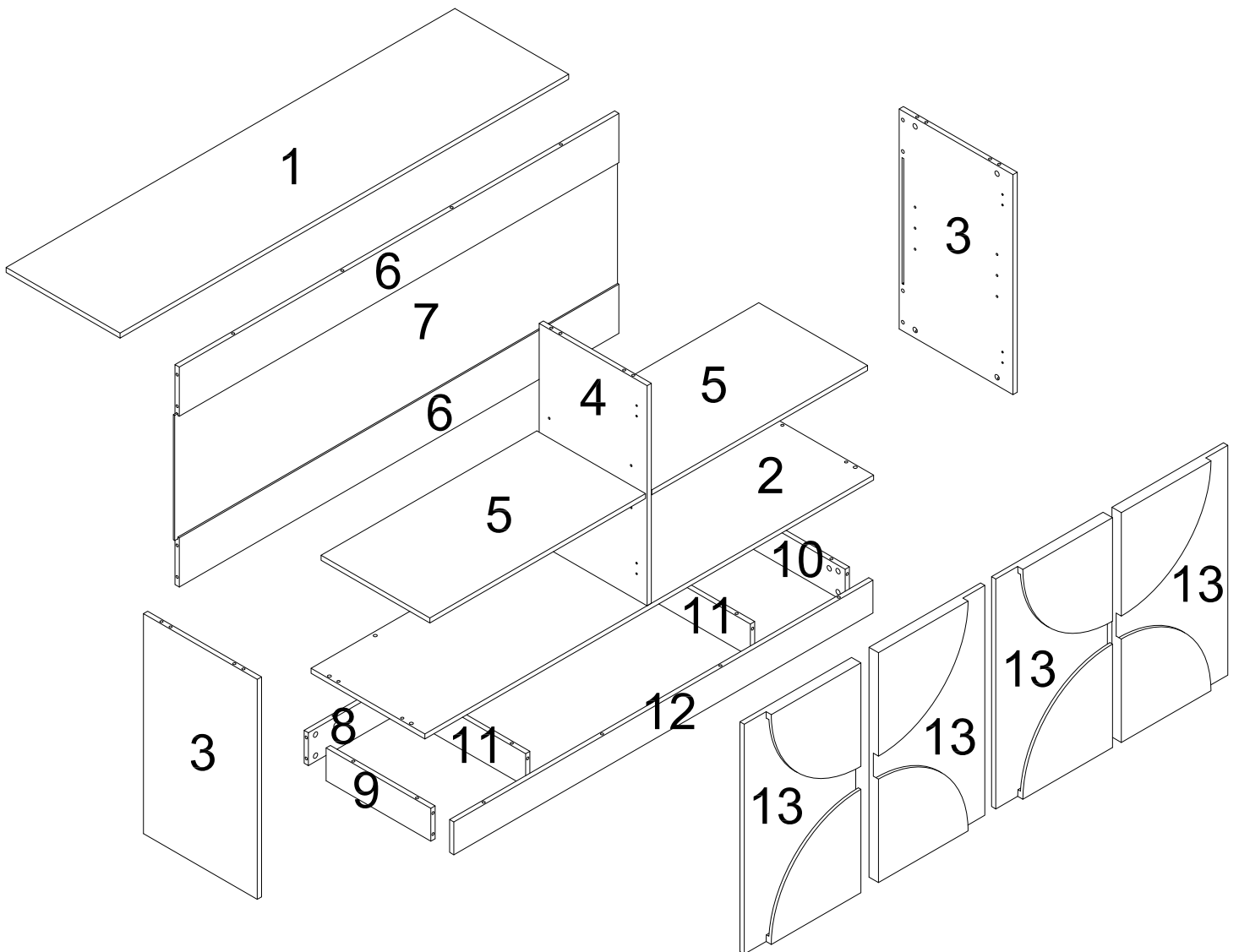
Quantity:8 Pcs  
Angle plastic  
 $\phi$  3\*18mm



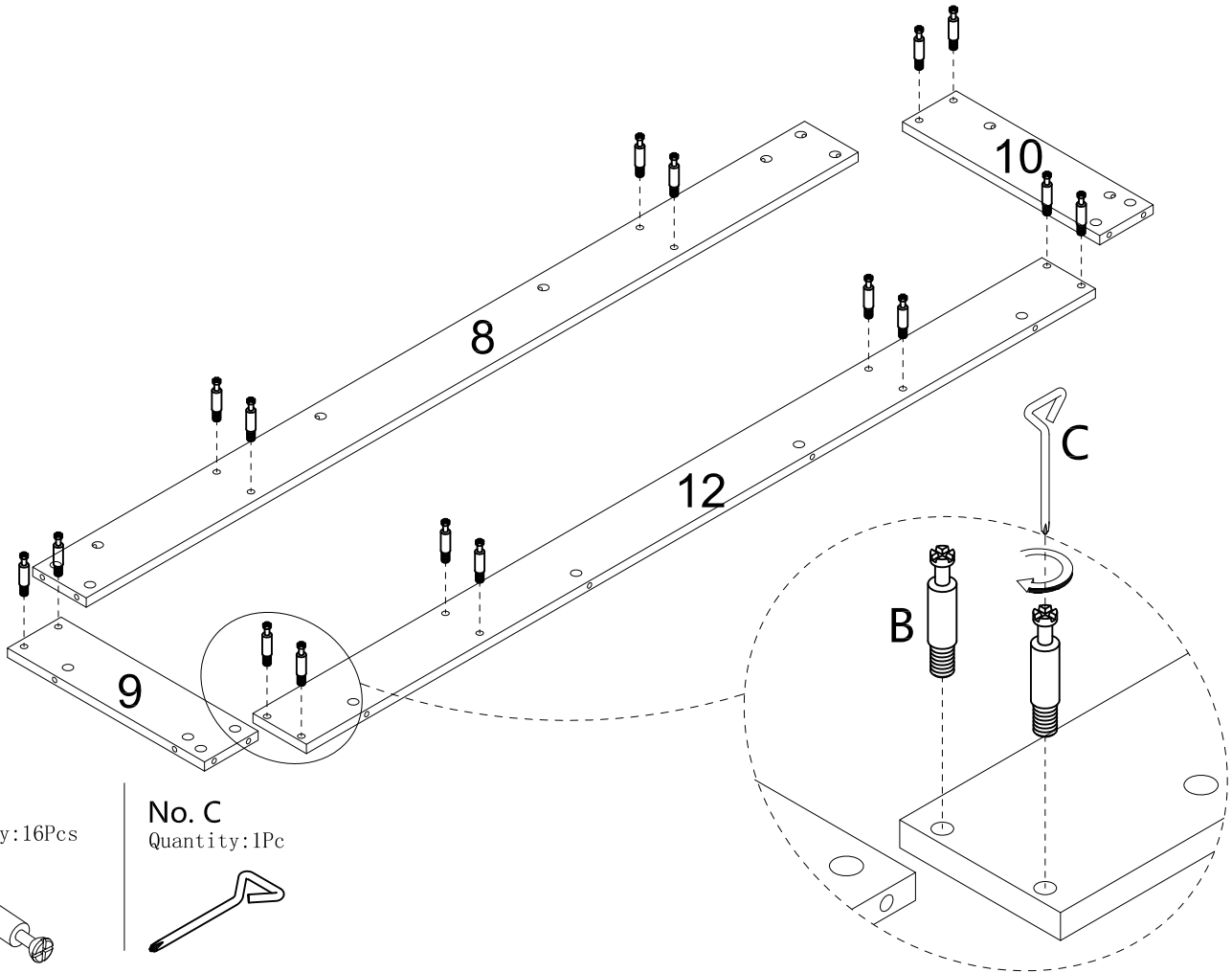
# Component Panels & part List

Please check you have all the panels are listed below.

1. Top Panel-----x1 CTN 1/2
2. Bottom-----x1 CTN 1/2
3. Sideboard-----x2 CTN 2/2
4. Middle Panel-----x1 CTN 2/2
5. Shelf-----x2 CTN 1/2
6. Back Support-----x2 CTN 1/2
7. Back Panel-----x1 CTN 1/2
8. Back Foot Bar-----x1 CTN 1/2
9. Foot Bar-Left-----x1 CTN 1/2
10. Foot Bar-Right-----x1 CTN 1/2
11. Middle Foot Bar-----x2 CTN 1/2
12. Front Foot Bar -----x1 CTN 1/2
13. Door -----x4 CTN 2/2

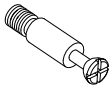


# STEP 1

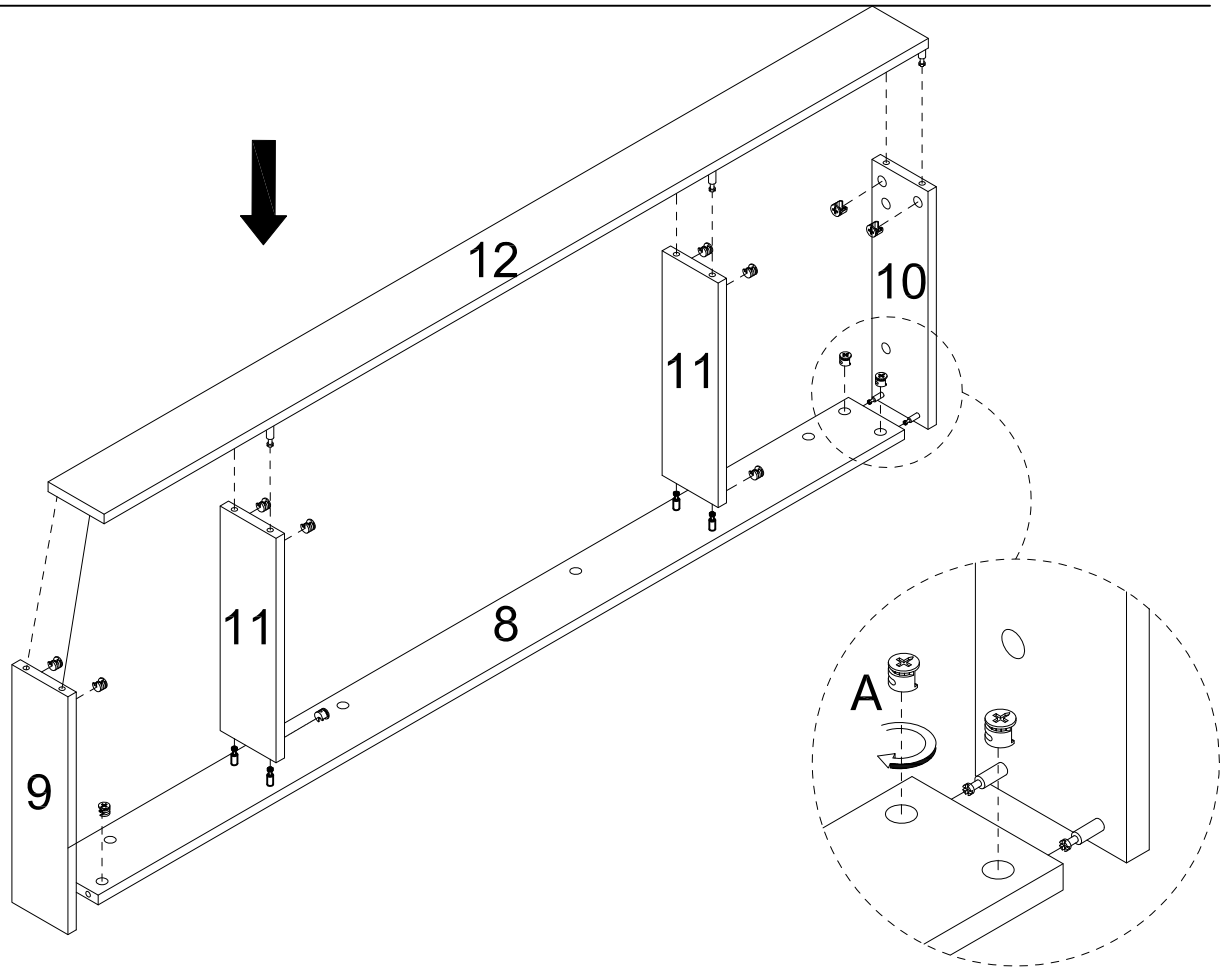


No. B  
Quantity: 16Pcs

No. C  
Quantity: 1Pc



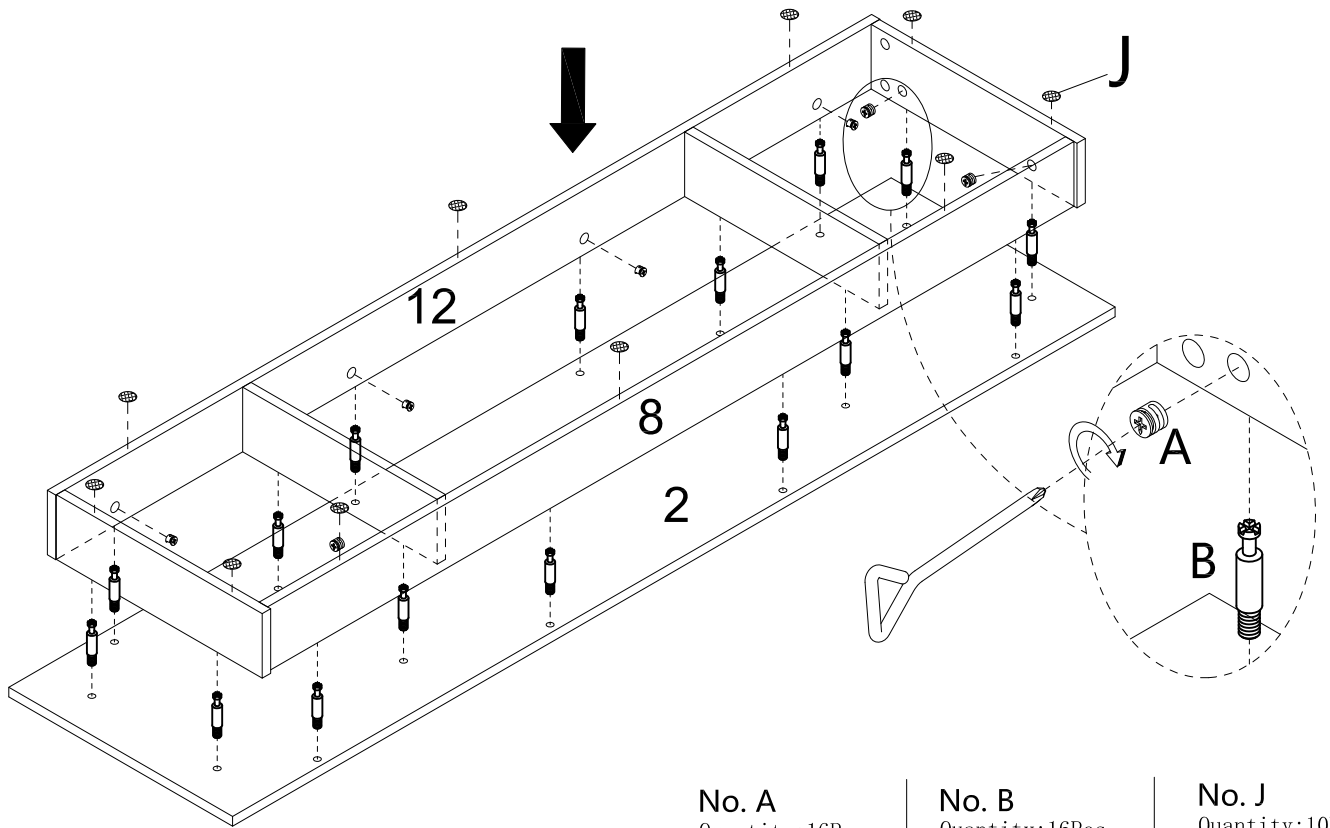
# STEP 2



No. A  
Quantity: 16Pcs



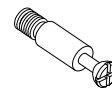
# STEP 3



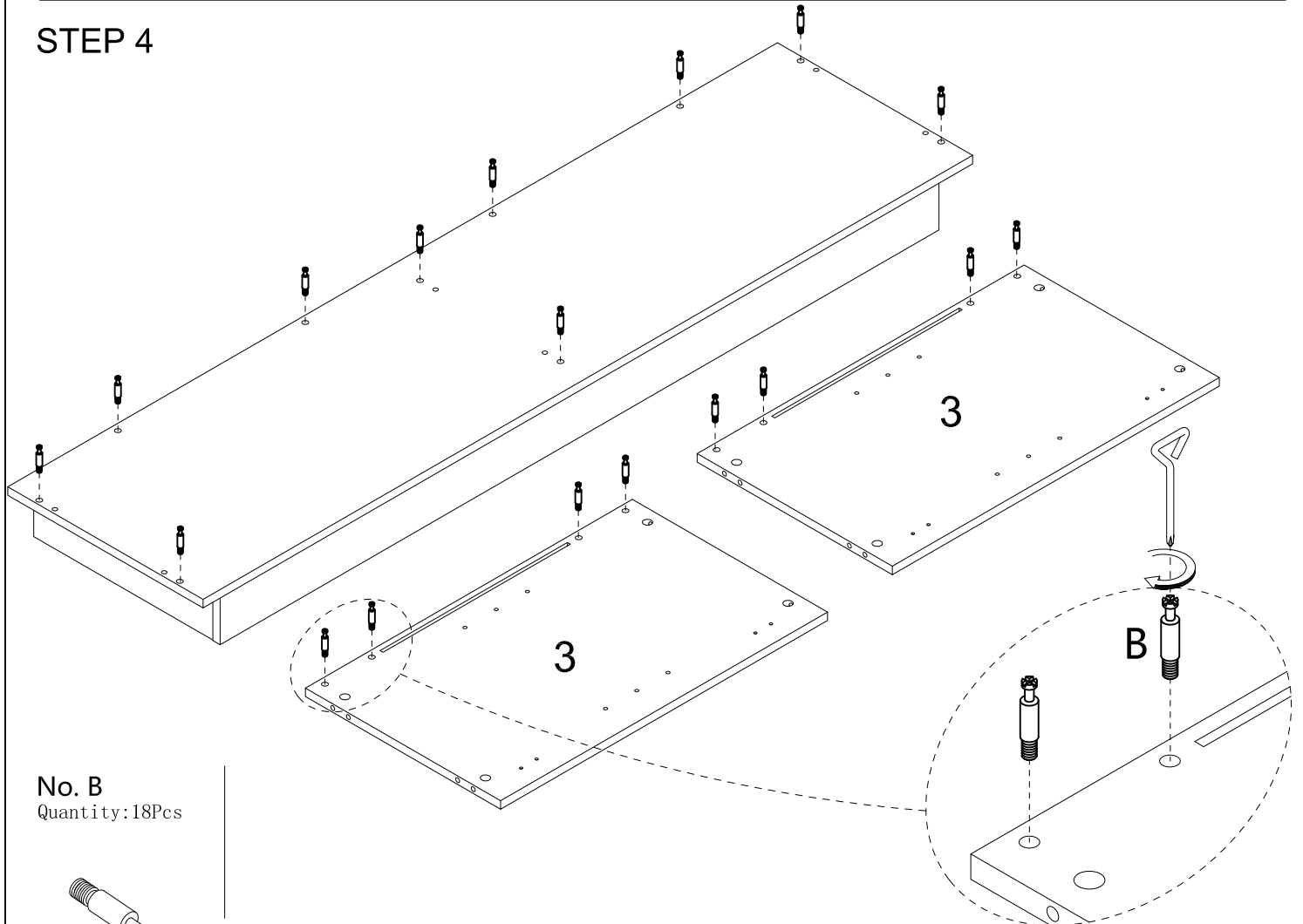
No. A  
Quantity: 16Pcs

No. B  
Quantity: 16Pcs

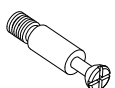
No. J  
Quantity: 10Pcs  
EVA Pad  
Φ 15mm



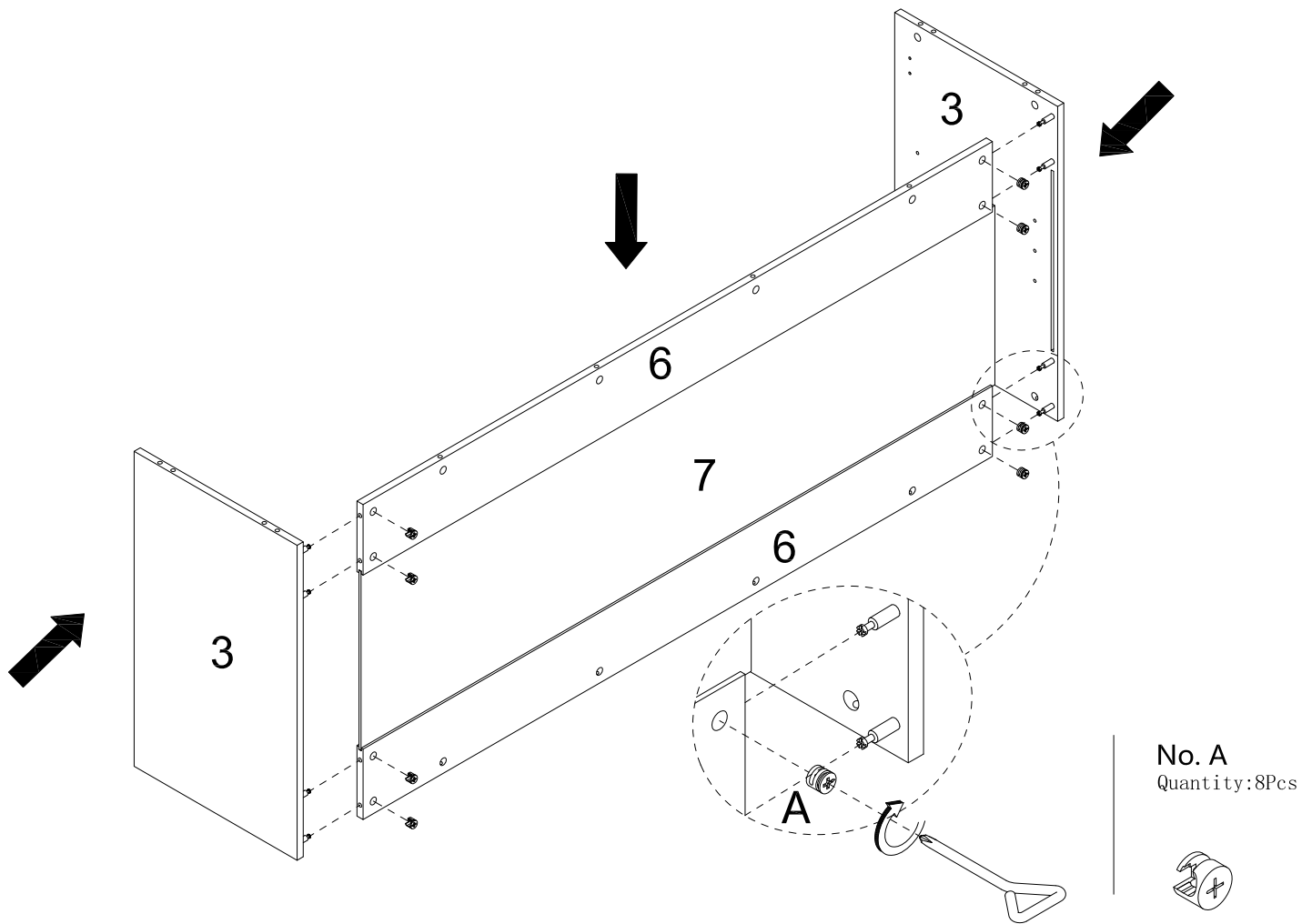
# STEP 4



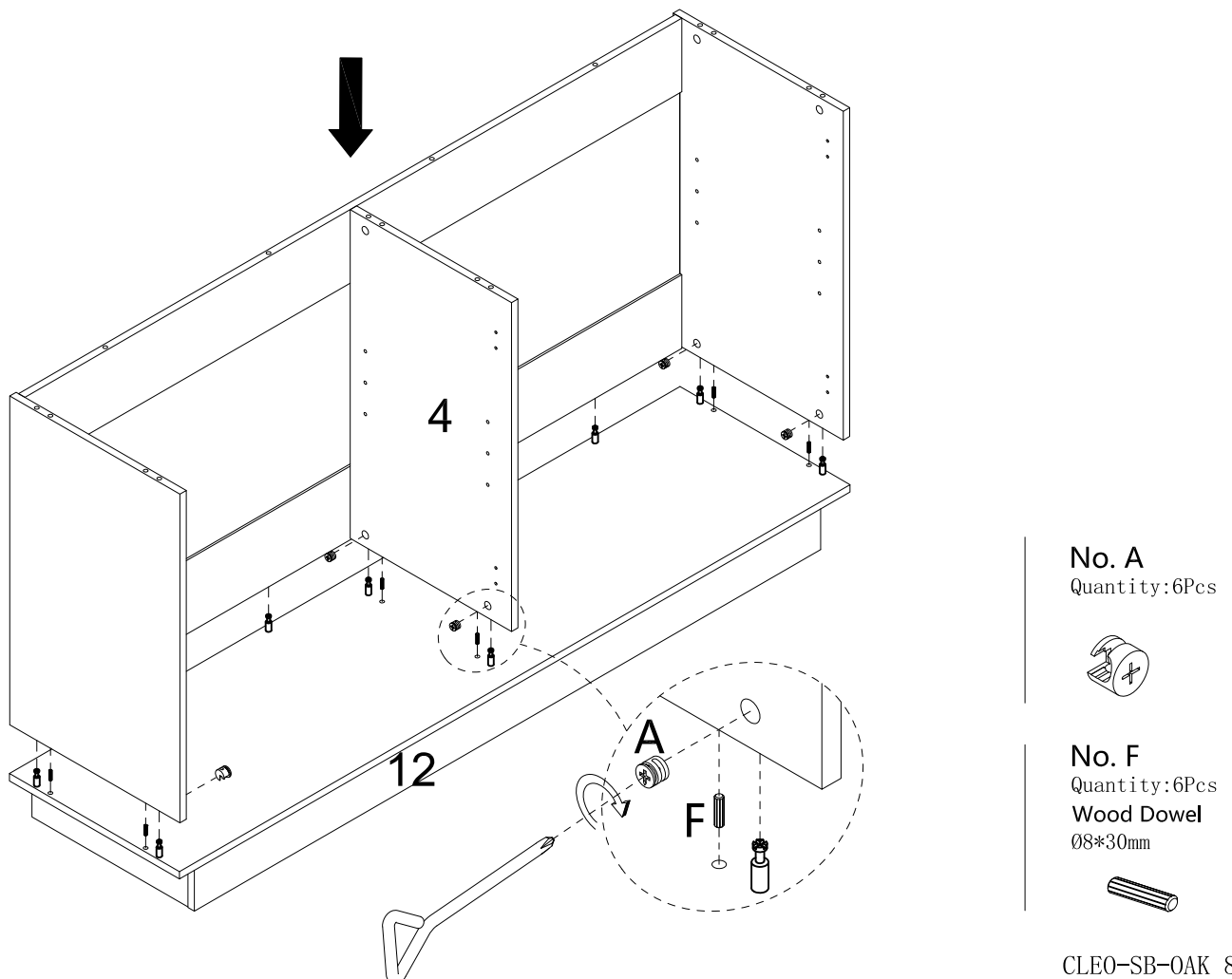
No. B  
Quantity: 18Pcs



# STEP 5

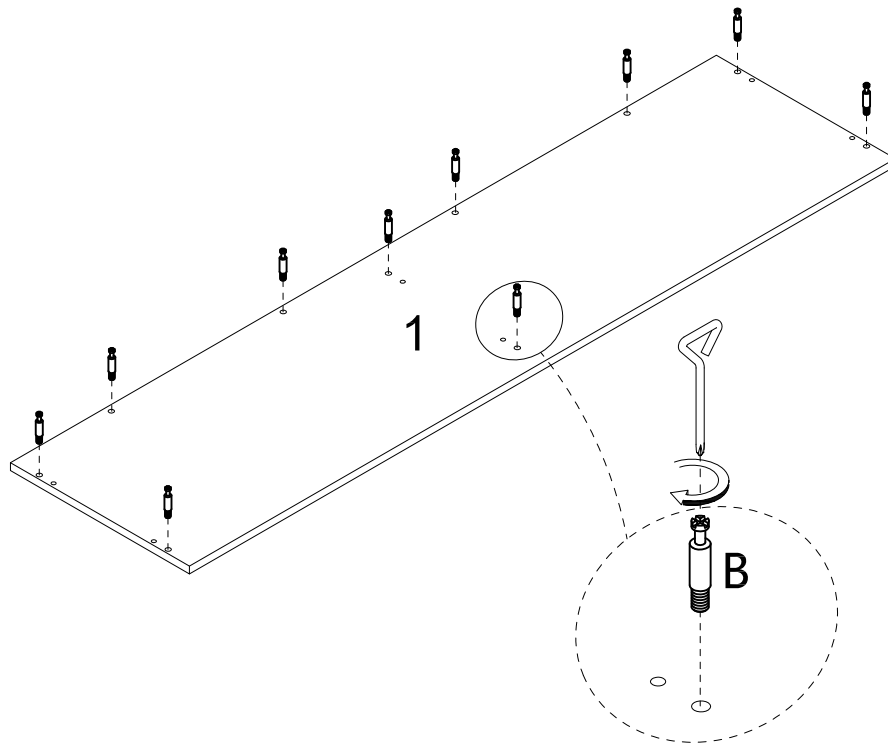


# STEP 6

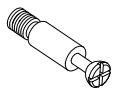




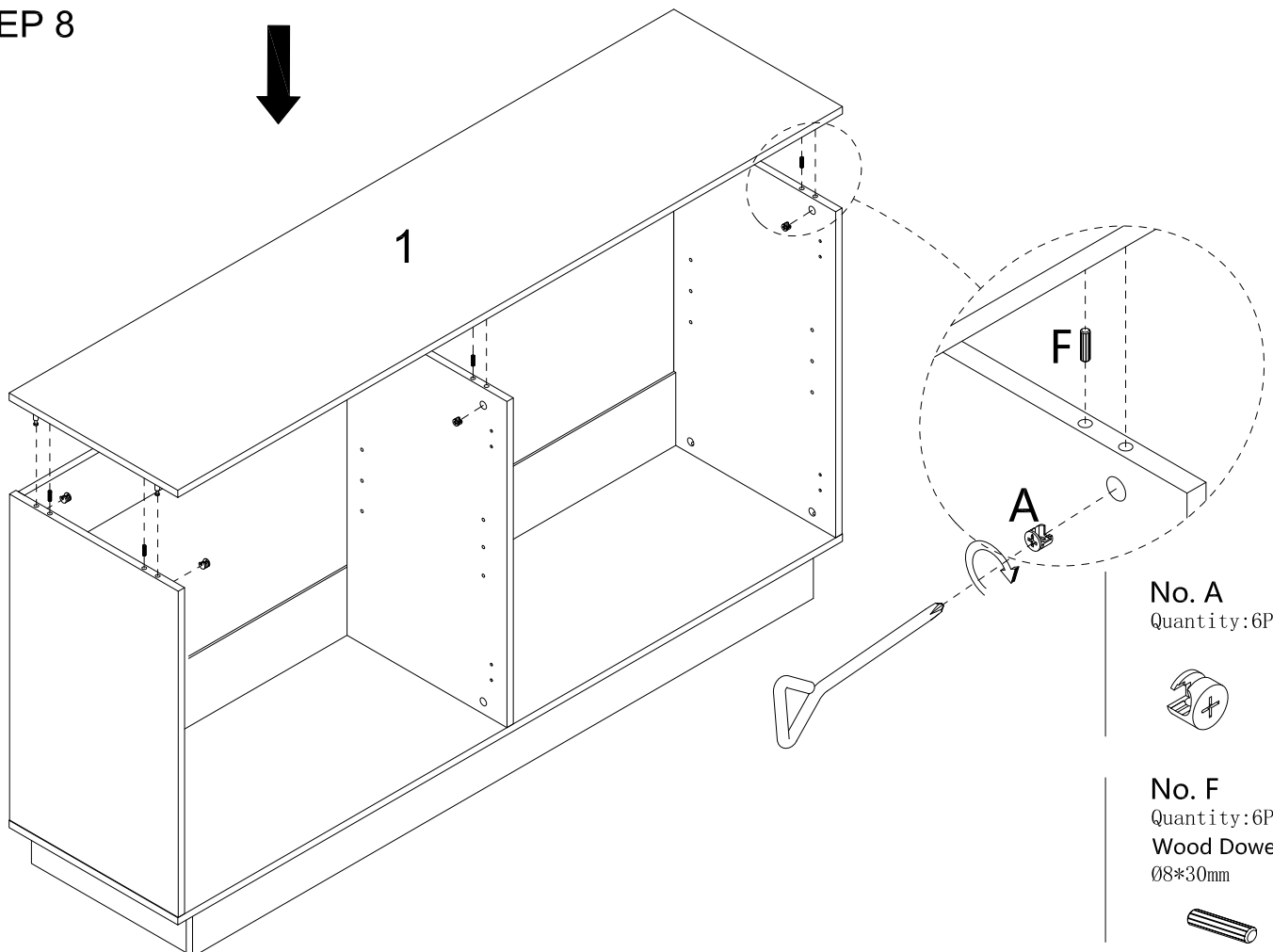
# STEP 7



No. B  
Quantity: 10Pcs



# STEP 8



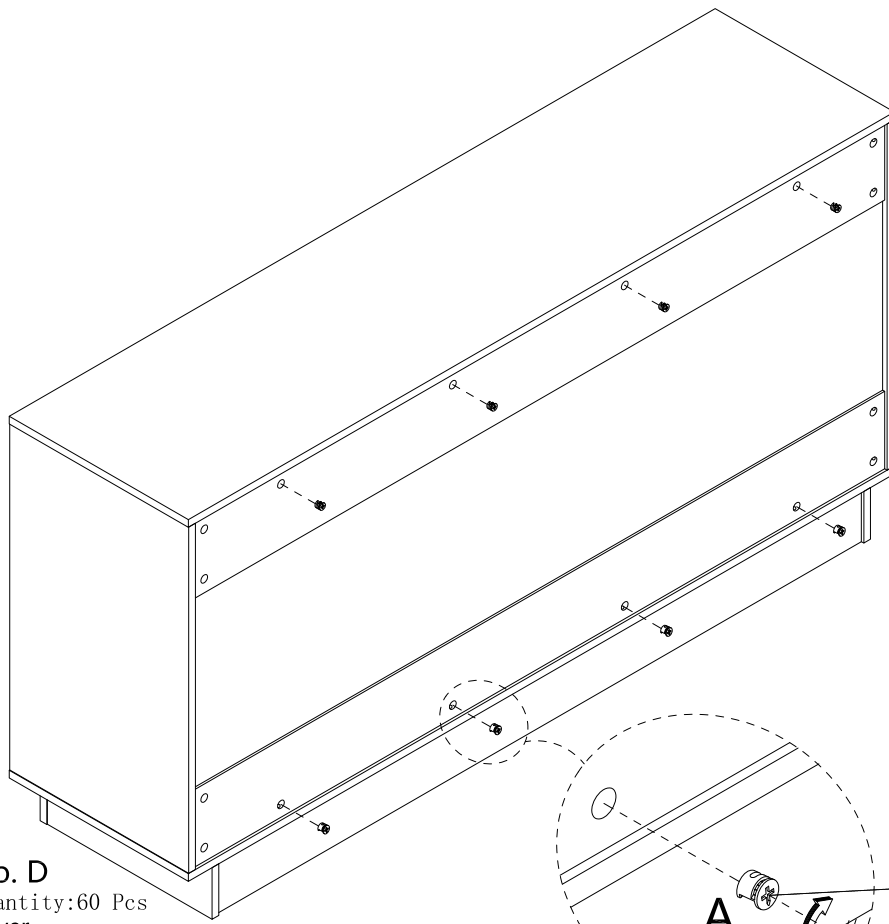
No. A  
Quantity: 6Pcs



No. F  
Quantity: 6Pcs  
Wood Dowel  
Ø8\*30mm



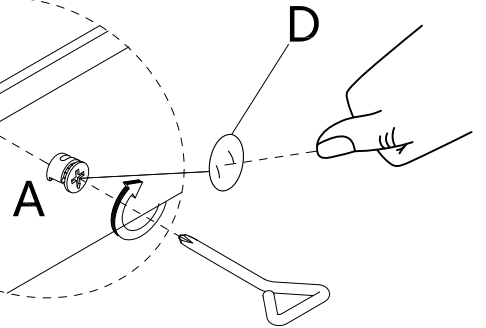
# STEP 9



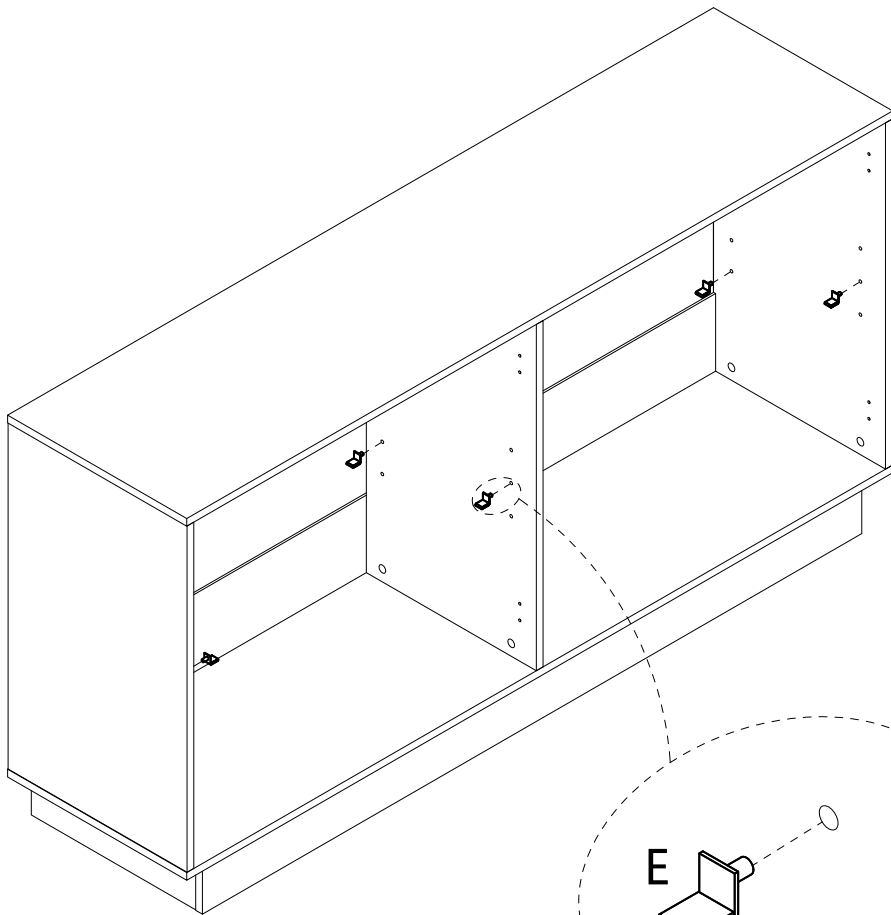
**No. A**  
Quantity: 8Pcs



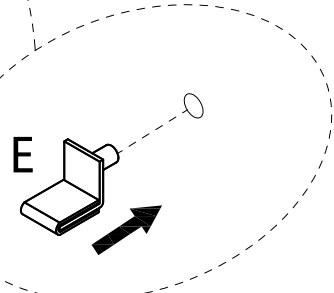
**No. D**  
Quantity: 60 Pcs  
Cover  
φ 21mm



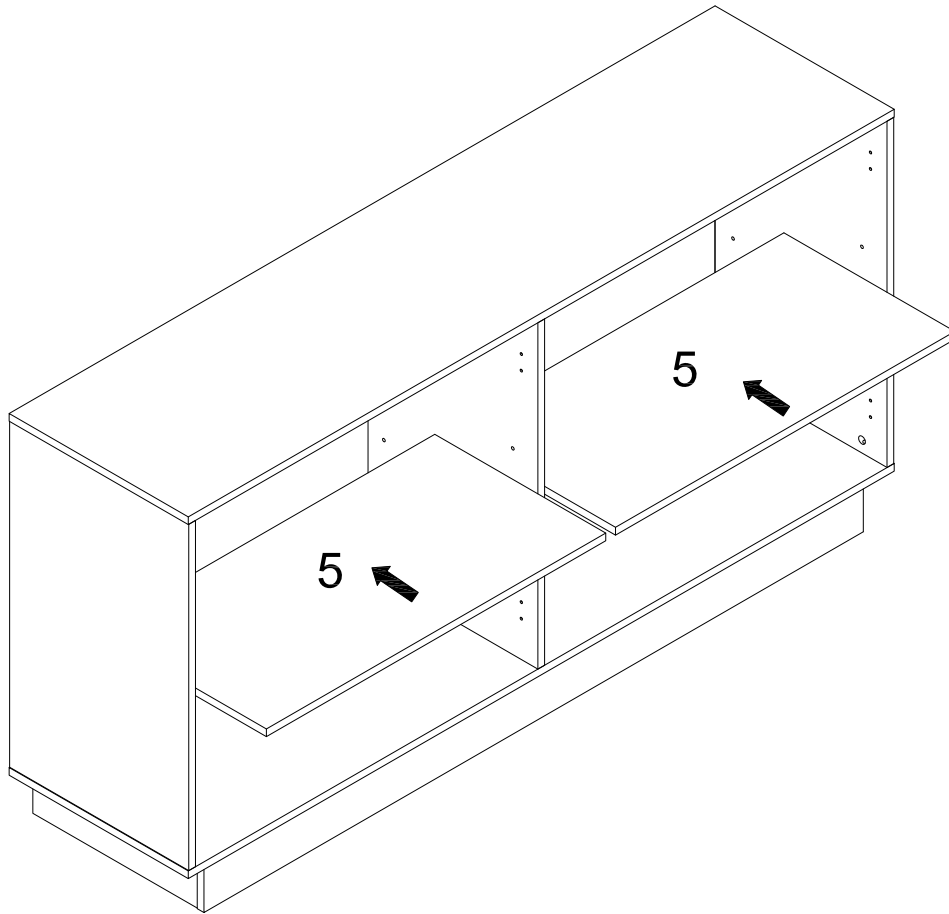
# STEP 10



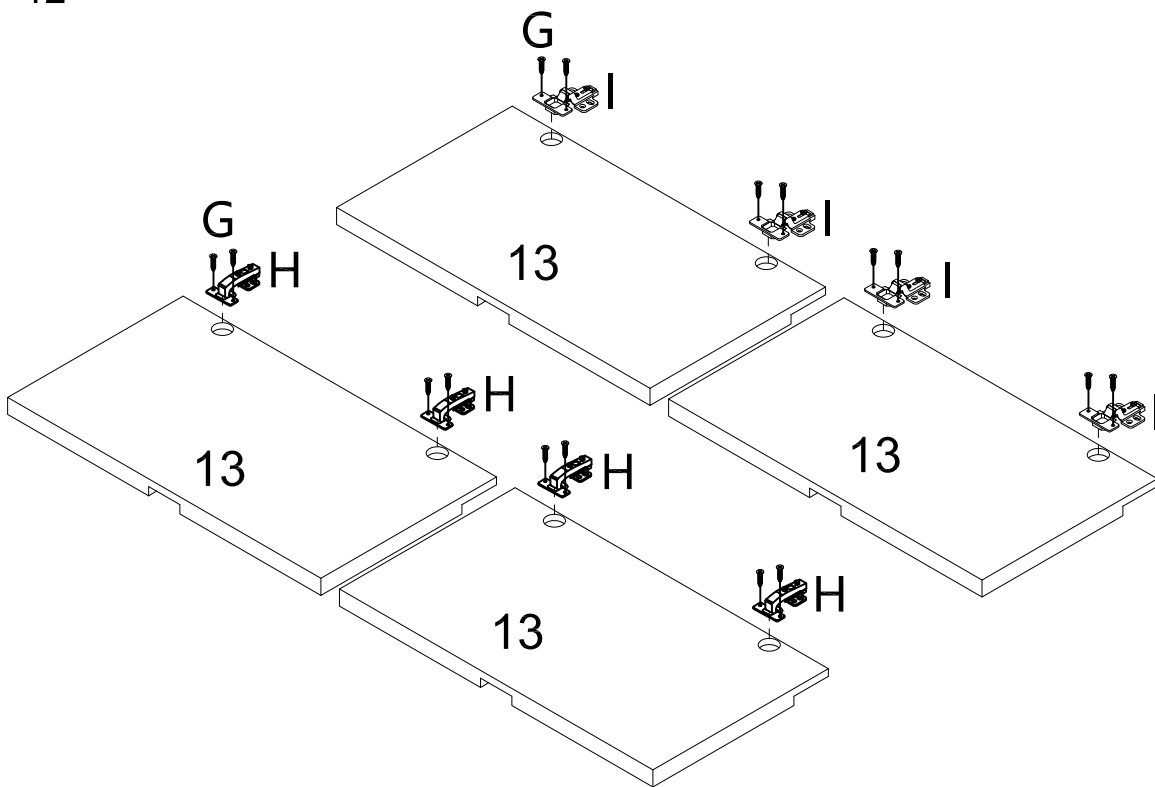
**No. E**  
Quantity: 8 Pcs



# STEP 11



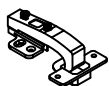
# STEP 12



**No. G**  
Quantity: 16 Pcs  
Screw  
φ 3.5\*14mm



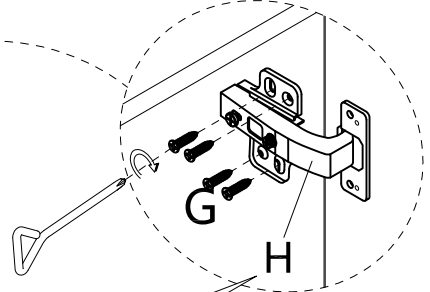
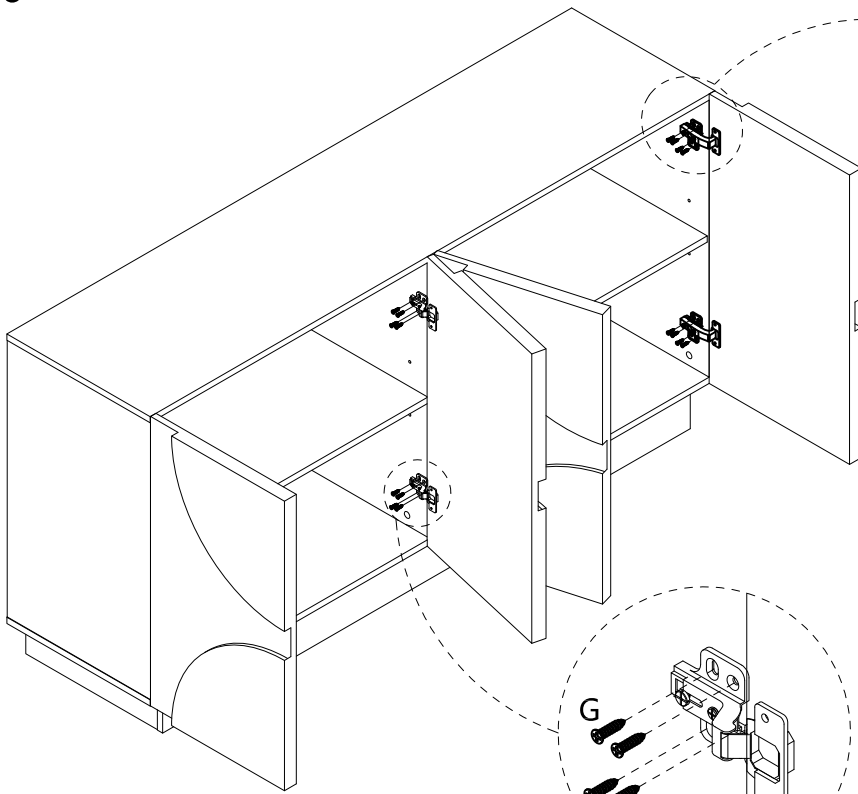
**No. H**  
Quantity: 4 PCS  
φ 35mm



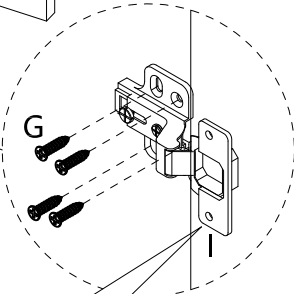
**No. I**  
Quantity: 4 Pcs  
φ 35mm



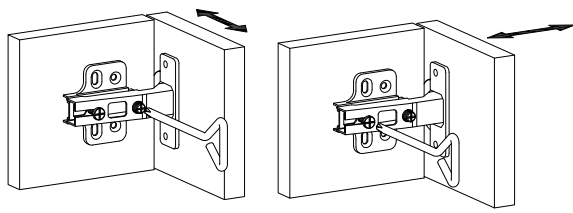
# STEP 13



This hinge "H" can be only used for side door!



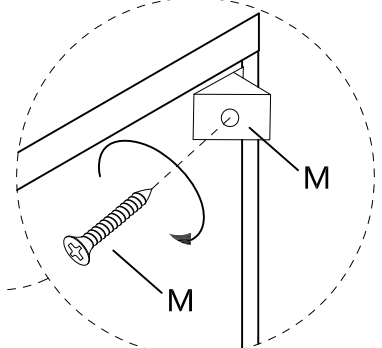
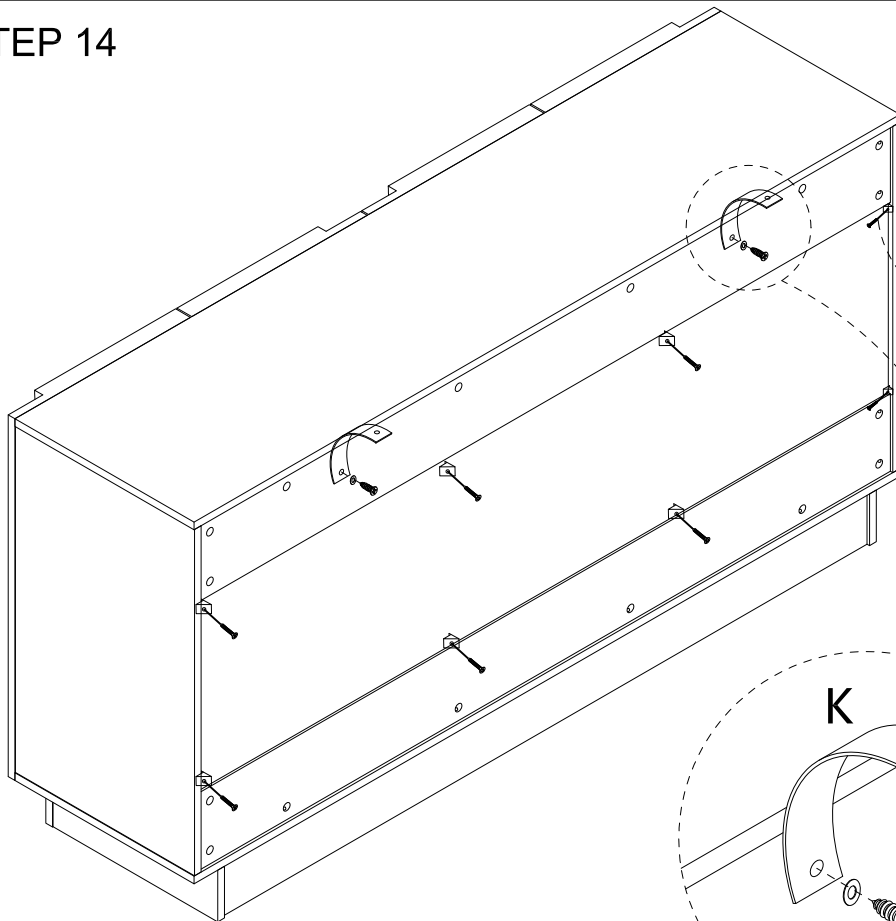
This hinge "I" can be only used for middle door!



**No. G**  
Quantity:32 Pcs  
Screw  
φ 3.5\*14mm



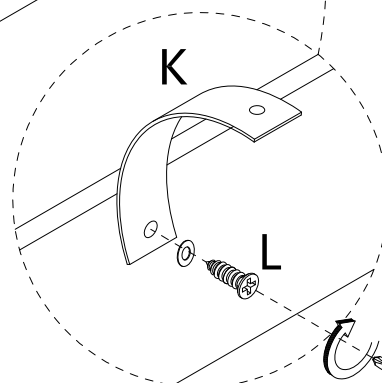
# STEP 14



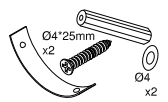
**No. M**  
Quantity:8 Pcs



**No. K**  
Quantity:2 Pcs  
Screw

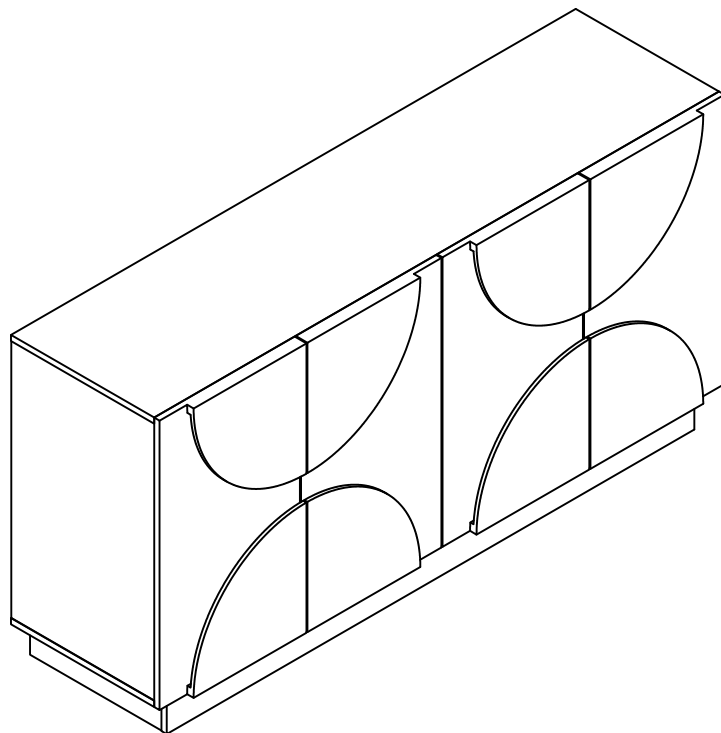
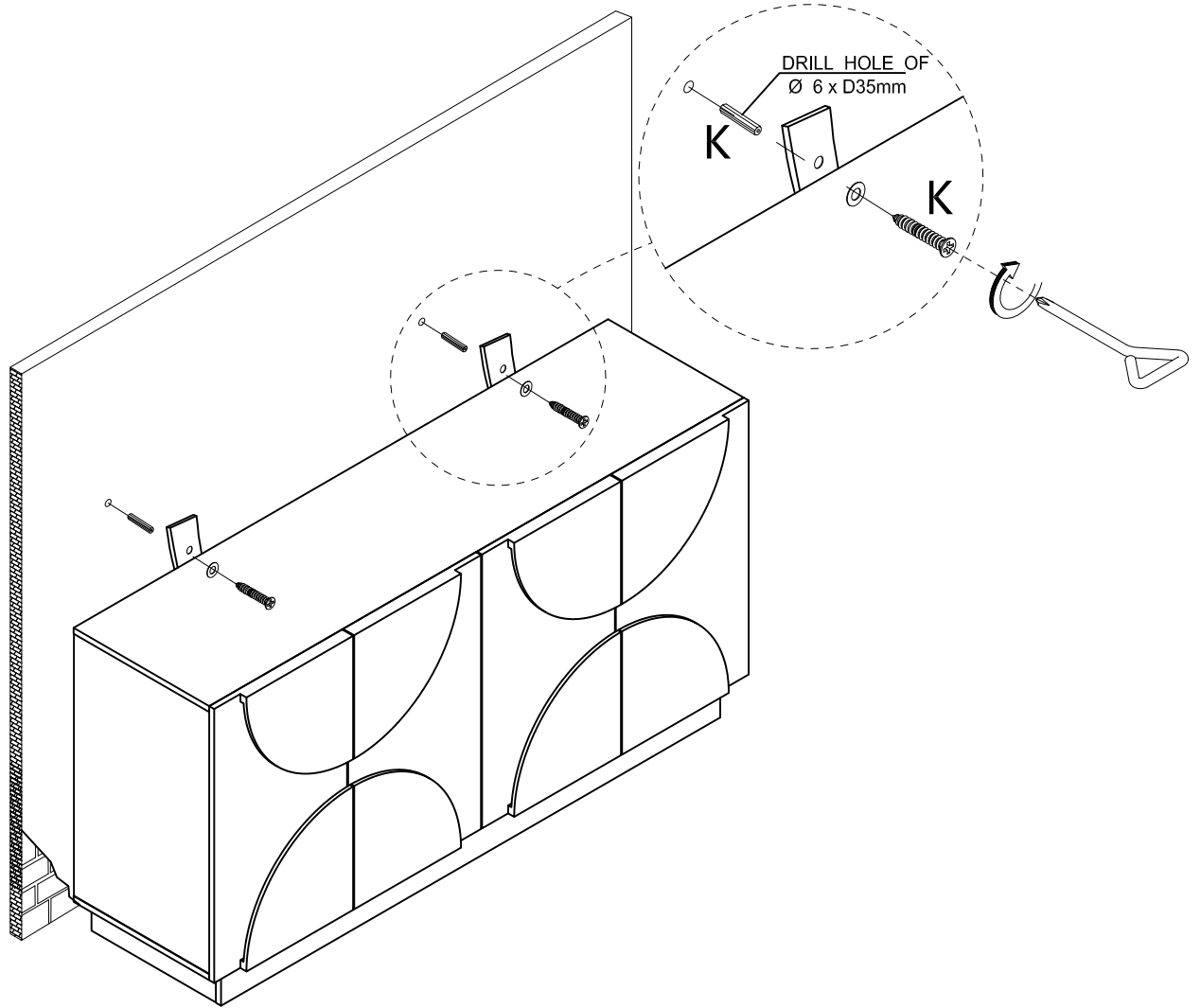


**No. K**



L=200mm

# STEP 15



lifely.com.au

Great job. You're done!

Don't forget to share how it looks in  
your space and tag us on Instagram.

@lifelyhome #homewithlifely!