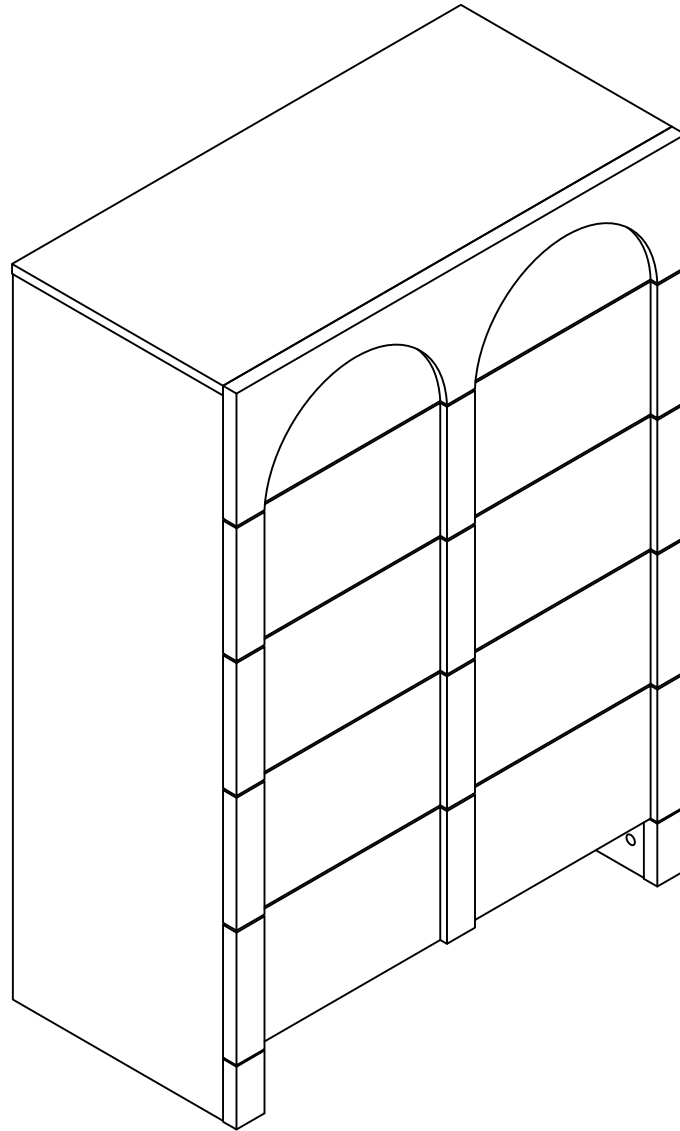


# Assembly Instructions

## Arch Series



# Lifely\*

### Product Code

ARH-5DC80-WHT Arch 5 Chest of Drawers

### Dimensions (W x D x H)

800\*400\*1136mm

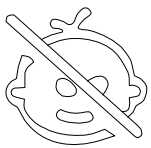
---

### Important

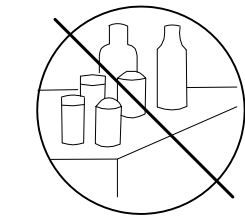
Please read through instruction carefully  
Before assembly and keep for future reference.

For our full catalogue of assembly instructions,  
Visit: [lifely.com.au/assembly](http://lifely.com.au/assembly).

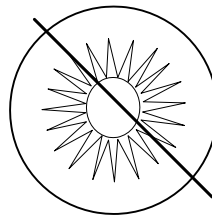
## Important Tips and Maintenance



1. Keep children and animals away from working area as smaller parts may cause choking if swallowed.



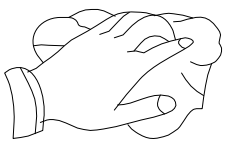
2. Never place liquids or anything damp upon furniture as it will mark. Ensure a coaster or running is beneath.



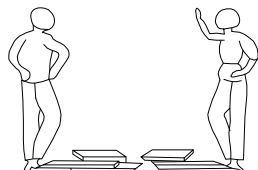
3. Never use ammonia based cleaning products as it will damage the finish.



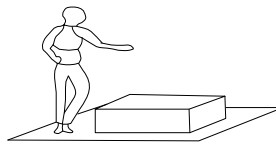
4. To avoid fading, keep furniture out of direct sunlight.



5. Use a soft or damp cloth (dry cloth) when wiping or cleaning surfaces.



6. Two person are required.



7. Lay a soft matt down to protect the furniture piece before and during assembly.

So your relationship is strong. But is it flat-pack furniture strong? Unless you're an aerospace engineer, assembling furniture can be slightly stressful. We recommend meditating quietly, pouring yourself a herbal tea (or slightly less herbal wine) and tackling things one step at a time. If you feel a passive aggressive remark coming on, try a compliment instead. E.g. "You're so good looking."

This 15-step assembly should take around 55 minutes with an Allen key - or 30 minutes with an electric drill.

Designed for everyday

## Component Hardware

Please check you have all the fittings  
part or tools are listed in below.

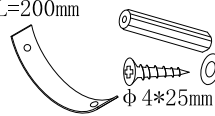
**No. A**  
Quantity:72 Pcs  
Cam  
 $\phi$  15\*12mm



**No. B**  
Quantity:72 Pcs  
Cam Lock Dowel  
 $\phi$  7\*25



**No. C**  
Quantity:1 Set  
Anti - dumping  
L=200mm



**No. G**  
Quantity:23 Pcs  
Screw  
 $\phi$  4\*35mm



**No. H**  
Quantity:40 Pcs  
Screw  
 $\phi$  3.5\*14mm



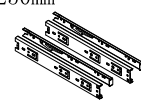
**No. I**  
Quantity:72Pcs  
Cover  
 $\phi$  20mm



**No. D**  
Quantity:1 Pc  
Screw  
 $\phi$  3.5\*12mm



**No. E**  
Quantity:5 Sets  
3 Step Running  
250mm



**No. F**  
Quantity:16Pcs  
Wood Dowel  
 $\phi$  8\*30mm



**No. J**  
Quantity:8Pcs  
Angle plastic  
 $\phi$  3\*18mm



**No. K**  
Quantity:1 Pc  
Key  
5mm



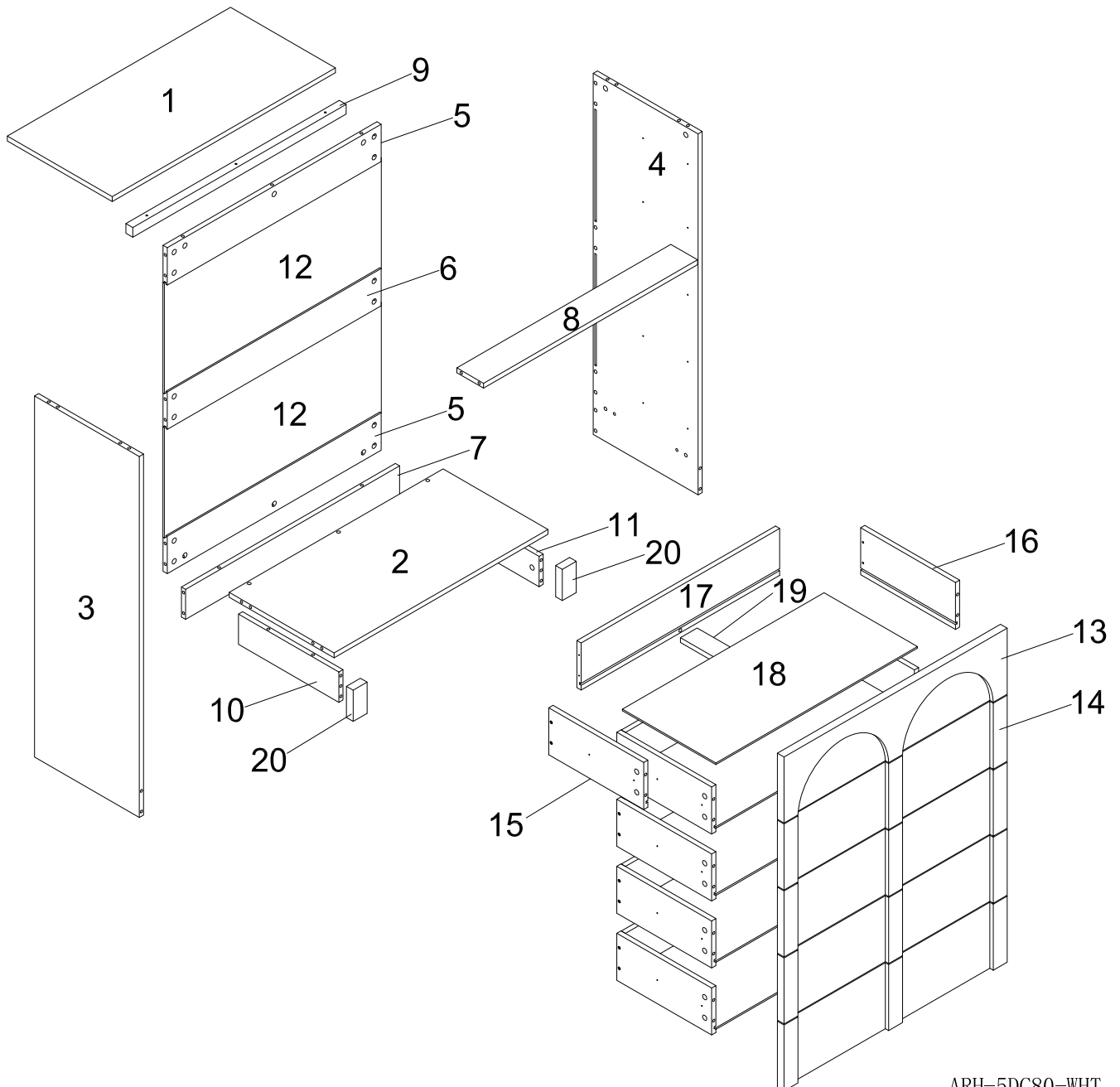
**No. L**  
Quantity:1 Pair  
Gloves



# Component Panels & part List

Please check you have all the panels are listed below.

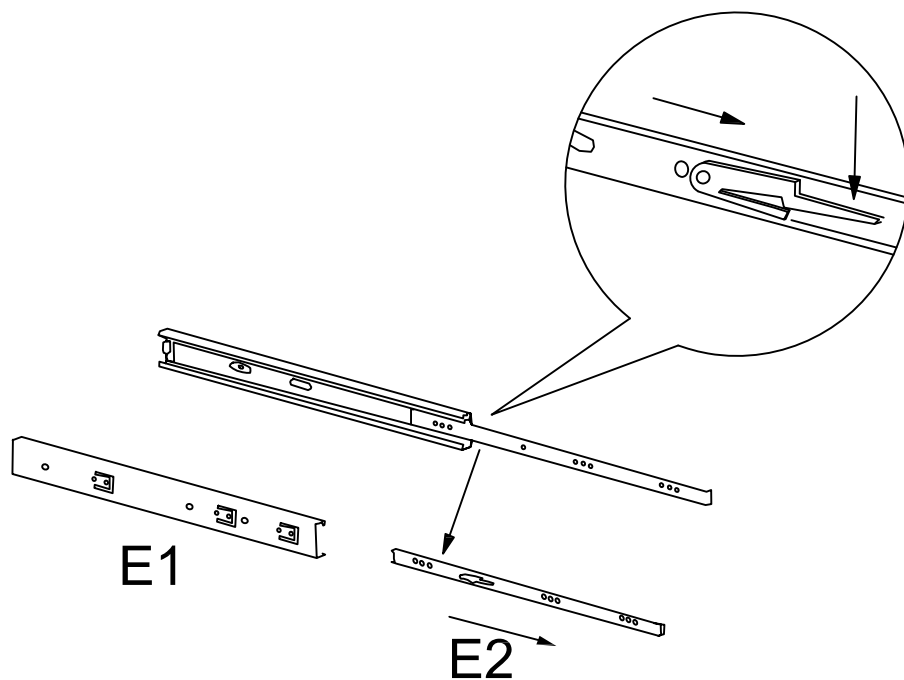
- |                             |         |                                 |         |
|-----------------------------|---------|---------------------------------|---------|
| 1. Top panel-----x1         | CTN 1/2 | 13. Drawer-Upper-----x1         | CTN 2/2 |
| 2. Bottom-----x1            | CTN 1/2 | 14. Drawer-down-----x4          | CTN 2/2 |
| 3. Side panel-Left-----x1   | CTN 1/2 | 15. Drawer Sideboard-Left---x5  | CTN 2/2 |
| 4. Side panel-Right-----x1  | CTN 1/2 | 16. Drawer Sideboard-Right---x5 | CTN 2/2 |
| 5. Back support-----x2      | CTN 1/2 | 17. Drawer Back Panel-----x5    | CTN 2/2 |
| 6. Back support-Middle--x1  | CTN 1/2 | 18. Drawer Bottom-----x5        | CTN 2/2 |
| 7. Footboard-Back-----x1    | CTN 1/2 | 19. Drawer Bottom-Support---x5  | CTN 2/2 |
| 8. Carcase support-----x1   | CTN 1/2 | 20. Decorative Panel-Front---x2 | CTN 2/2 |
| 9. Top panel-Support---x1   | CTN 1/2 |                                 |         |
| 10. Bottom support-Left--x1 | CTN 1/2 |                                 |         |
| 11. Bottom support-Right-x1 | CTN 1/2 |                                 |         |
| 12. Back panel-----x2       | CTN 1/2 |                                 |         |



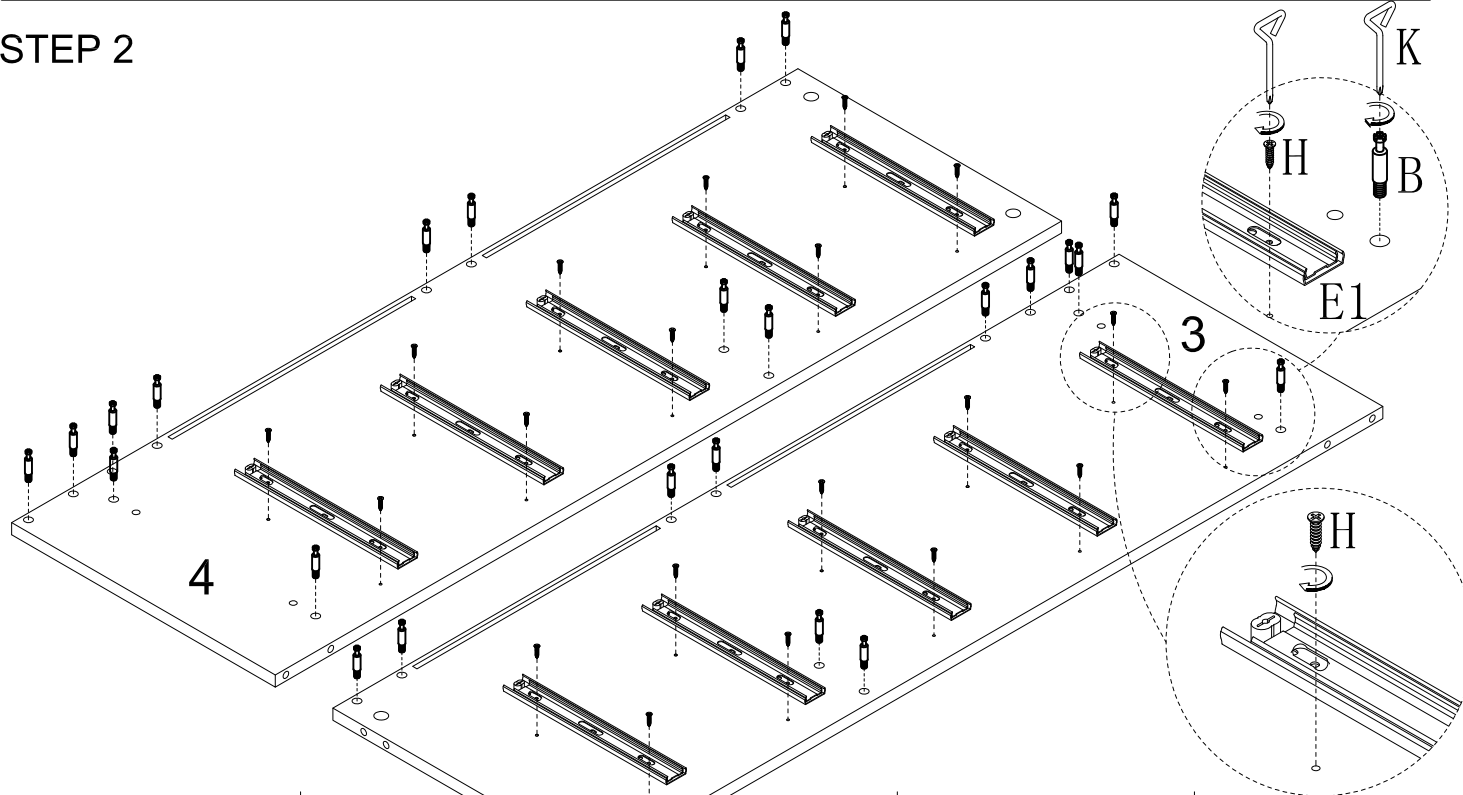
# STEP 1

## Drawer sliders Knock-down Instruction

- Press the slider to E1 & E2, two parts.



# STEP 2

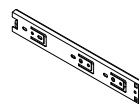


No. B  
Quantity:24 Pcs

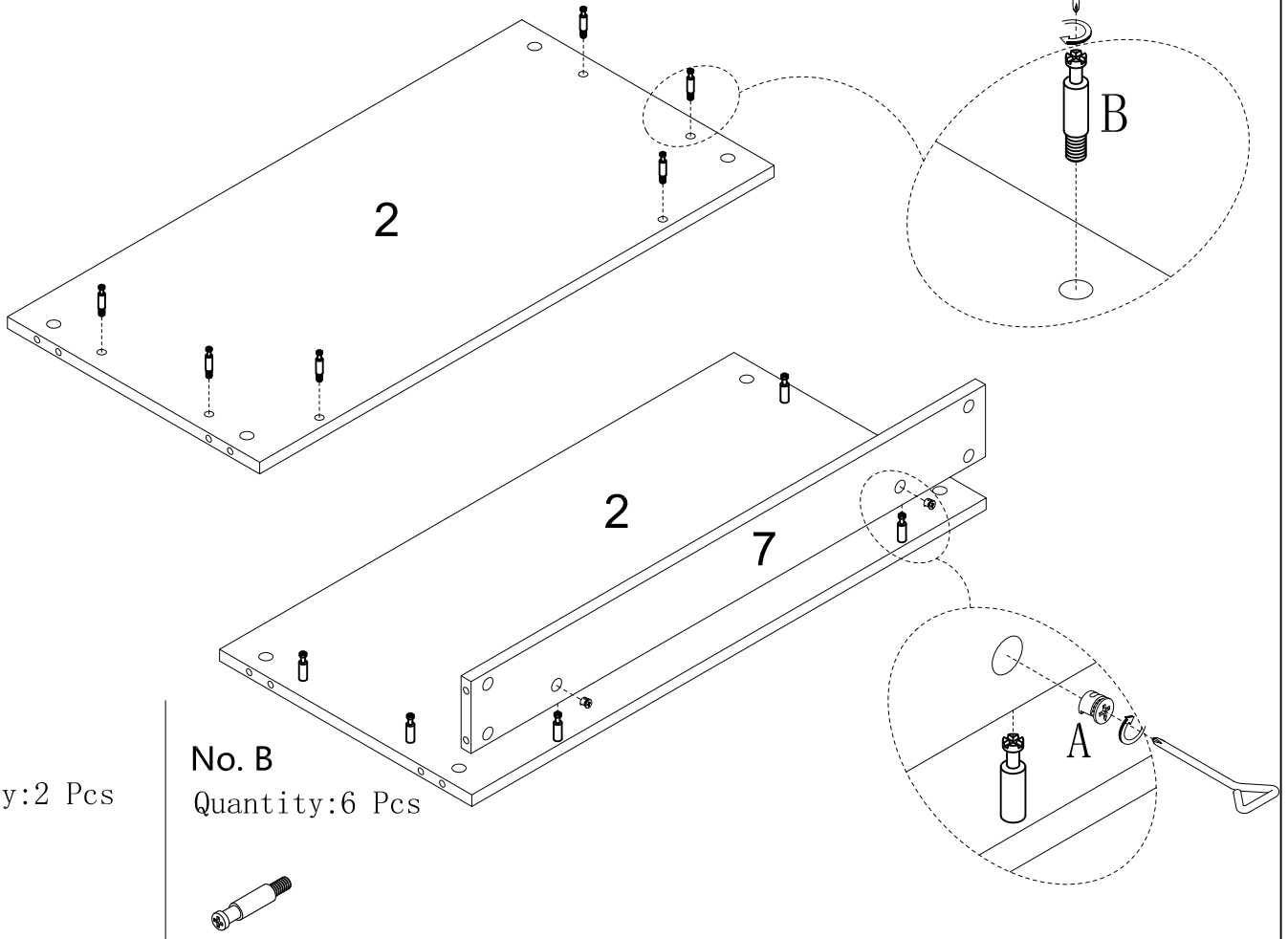
No. K  
Quantity:1 Pc

No. E  
Screw:5 PCS

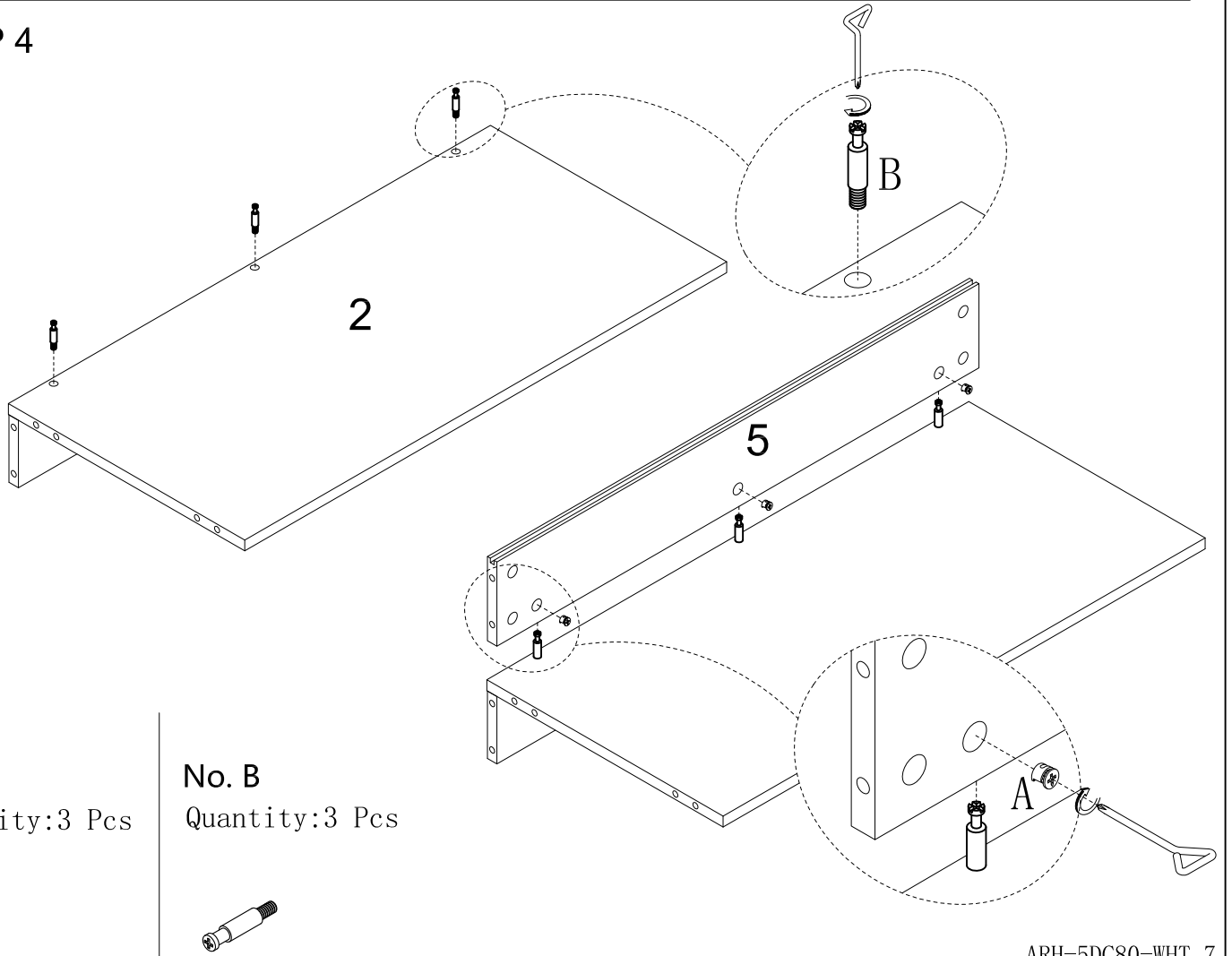
No. H  
Screw:20 PCS



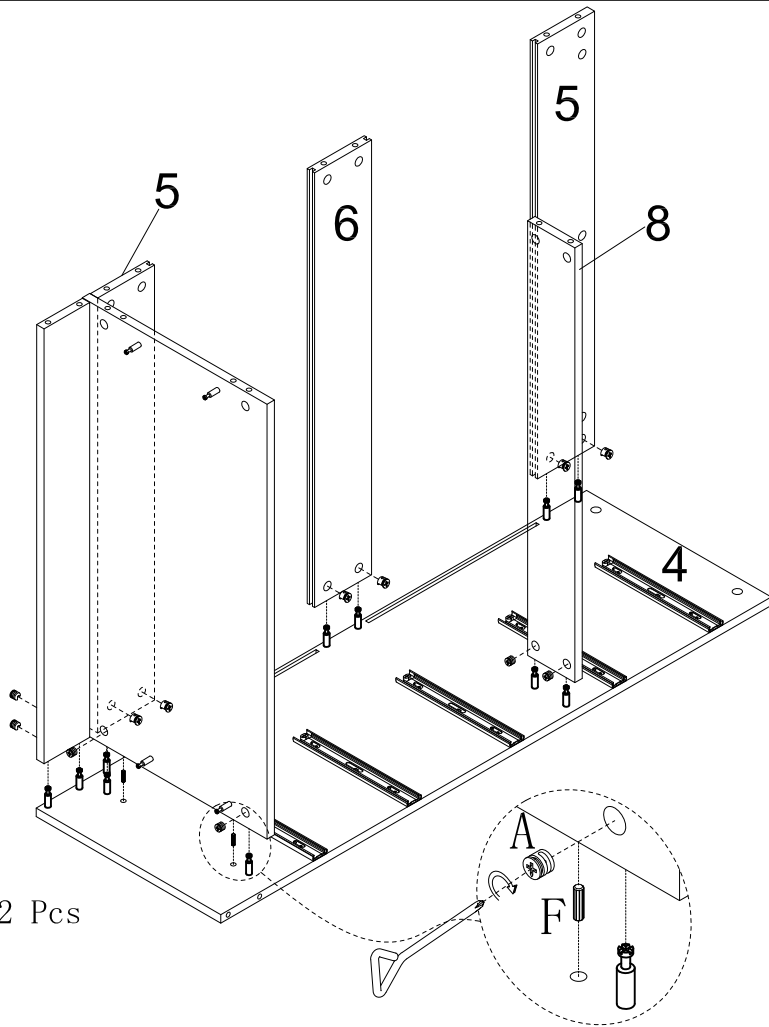
### STEP 3



### STEP 4



# STEP 5

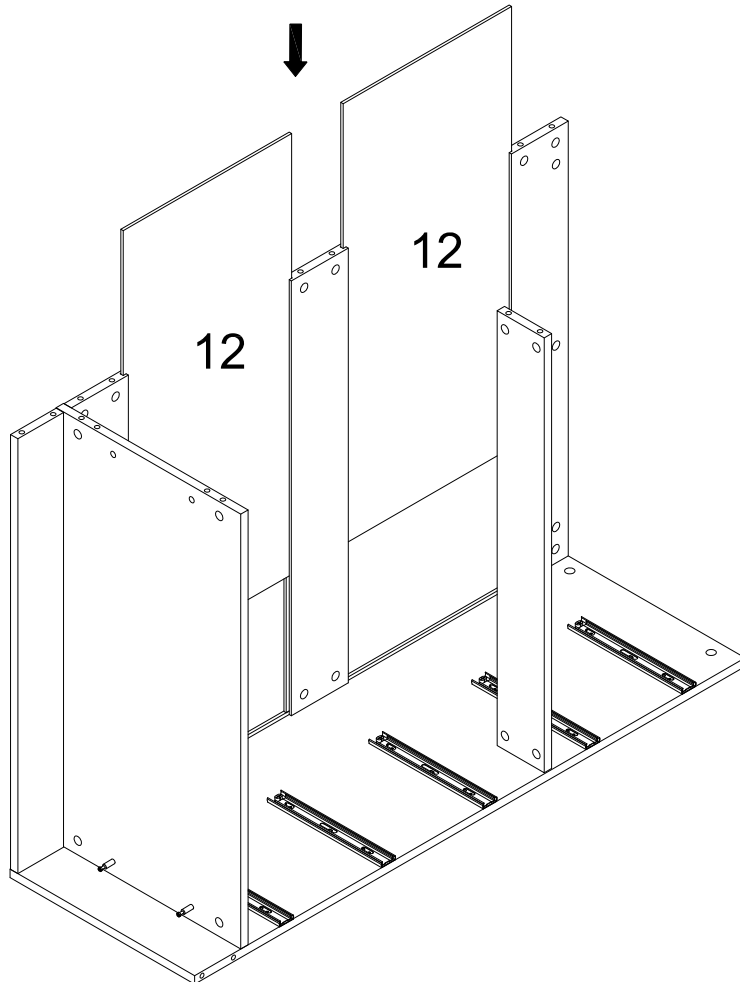


No. A  
Quantity:12 Pcs

No. F  
Quantity:2 Pcs

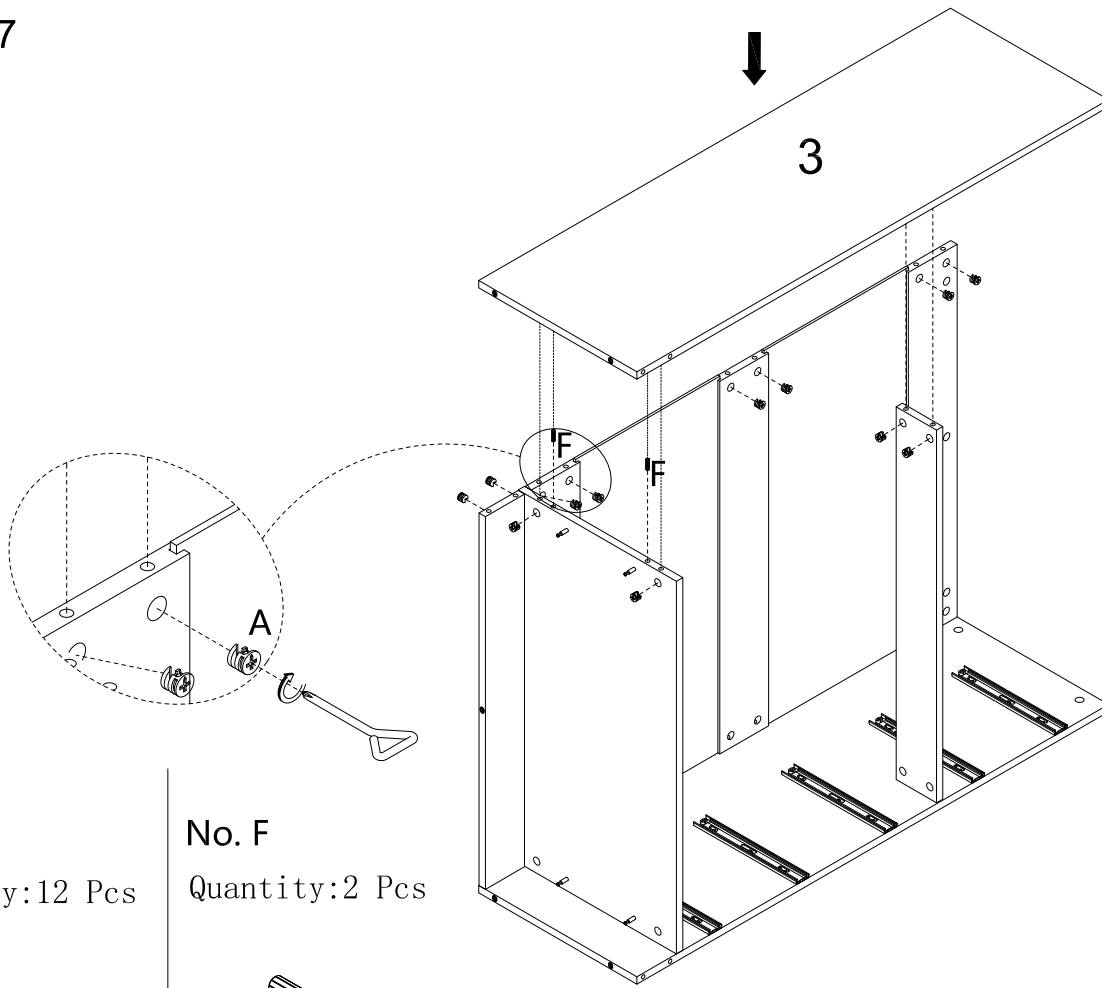


# STEP 6





# STEP 7



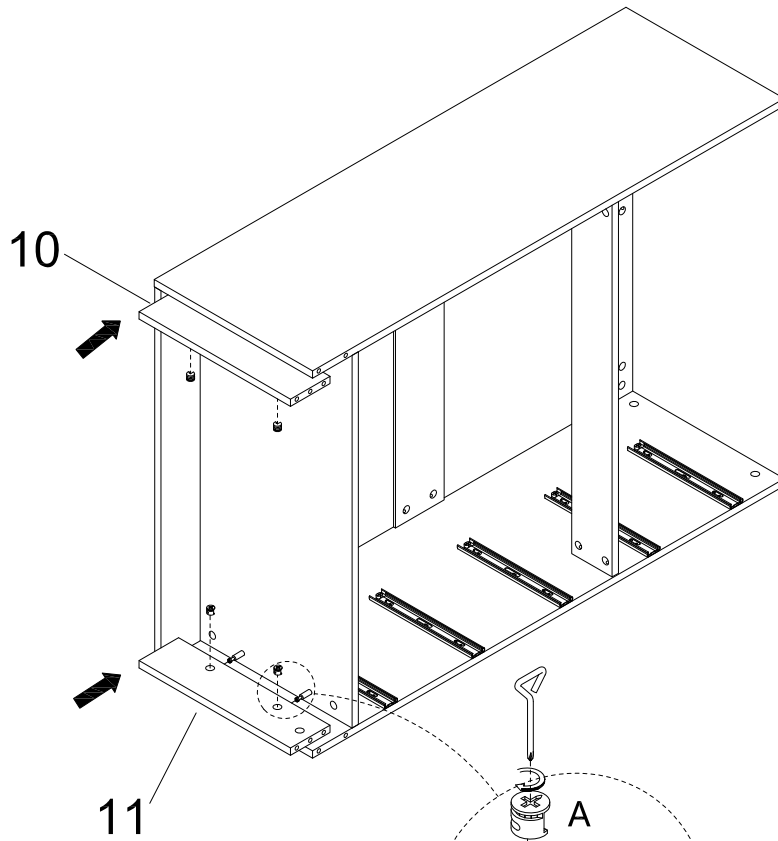
No. A  
Quantity:12 Pcs



No. F  
Quantity:2 Pcs



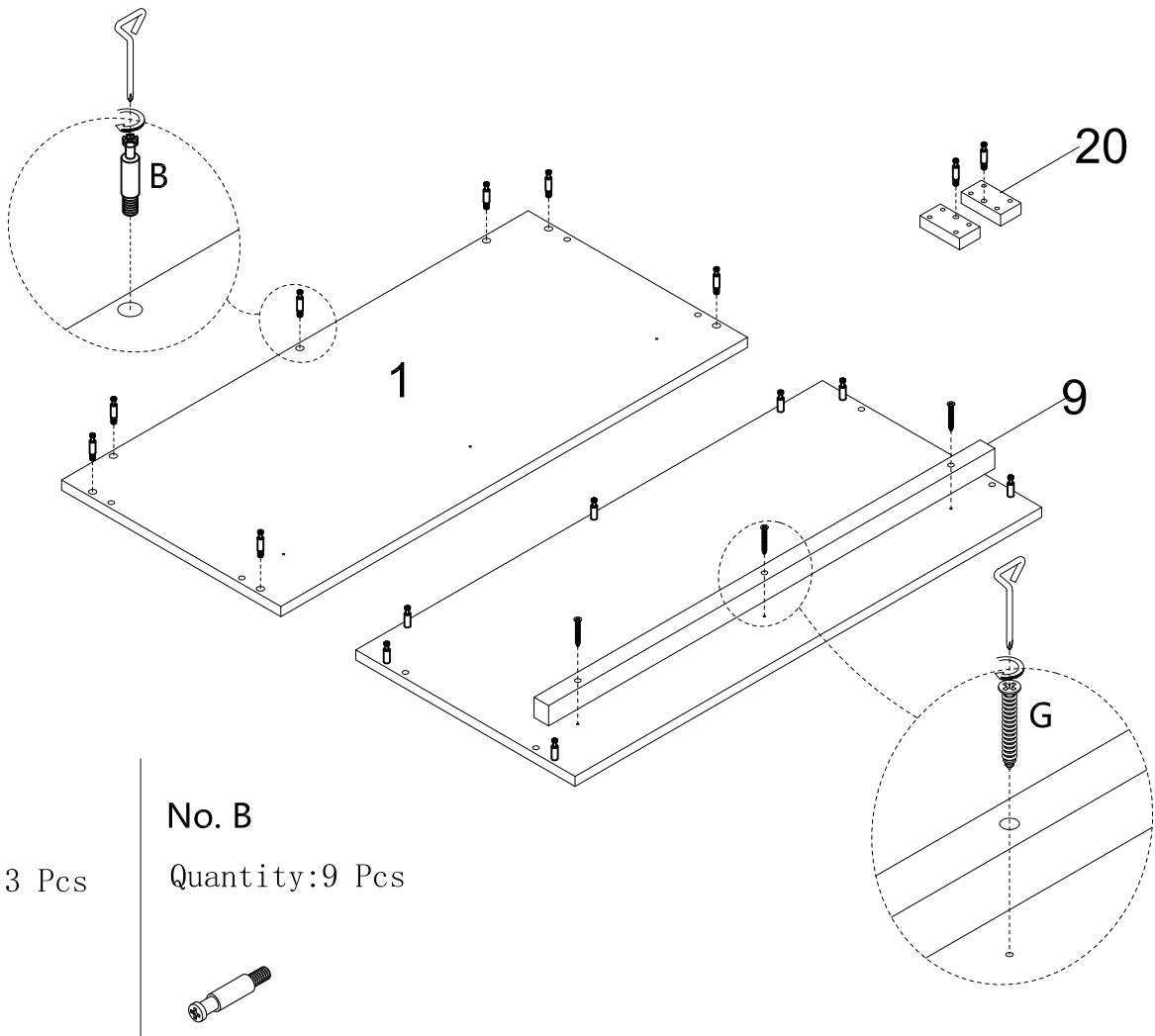
# STEP 8



No. A  
Quantity:4 Pcs



**STEP 9**



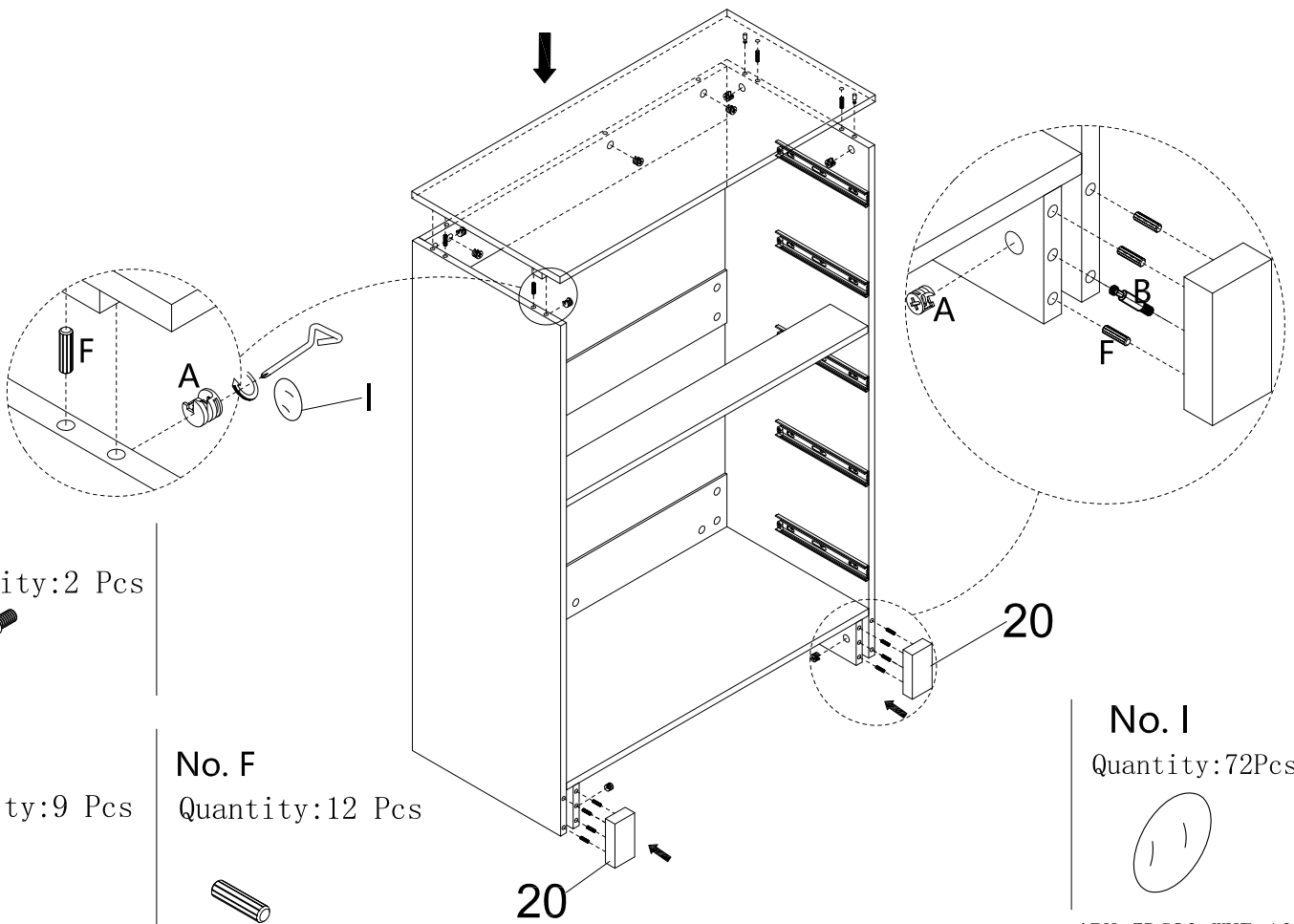
**No. G**  
Quantity:3 Pcs



**No. B**  
Quantity:9 Pcs



**STEP 10**



**No. B**  
Quantity:2 Pcs



**No. A**  
Quantity:9 Pcs



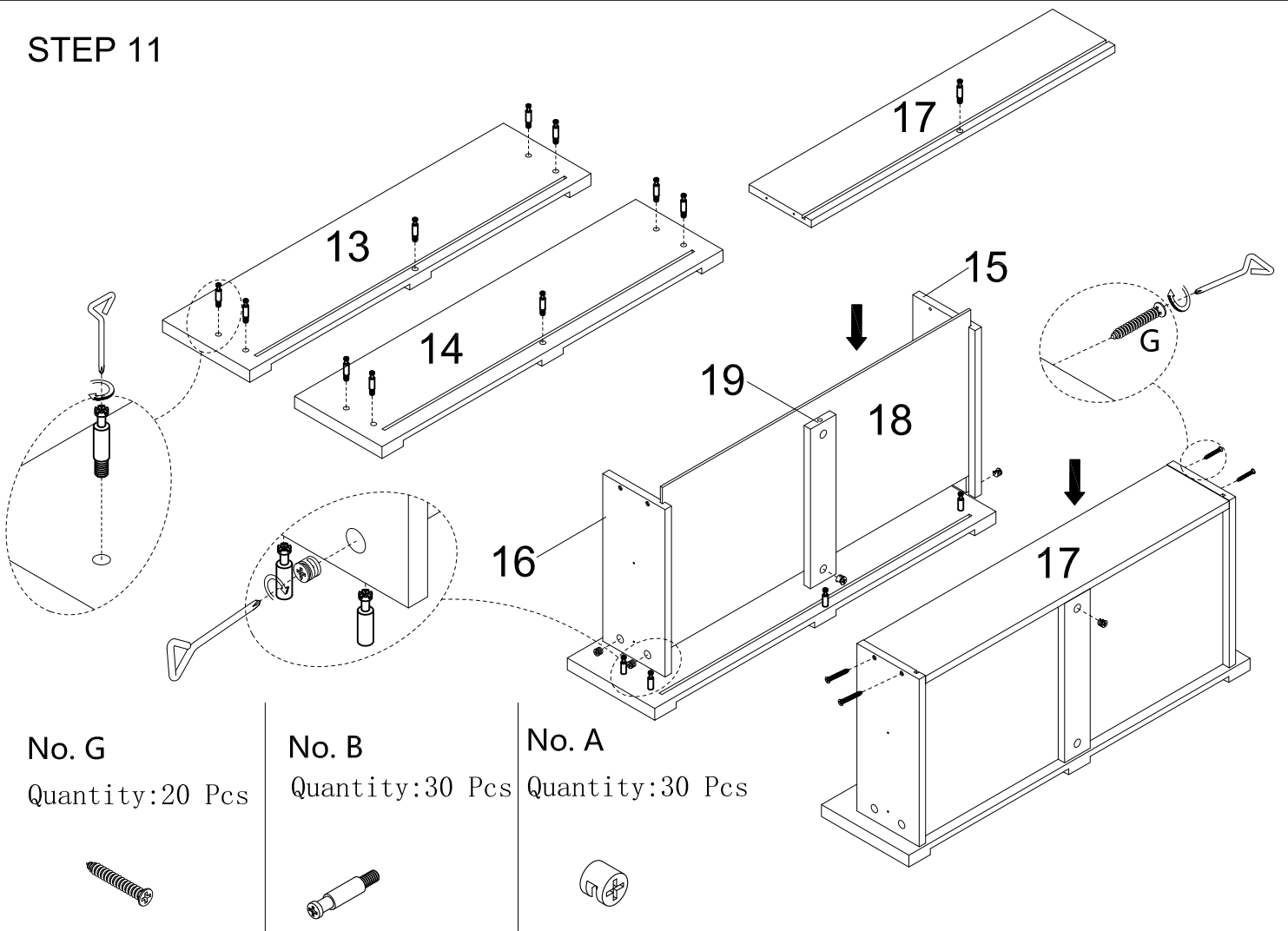
**No. F**  
Quantity:12 Pcs



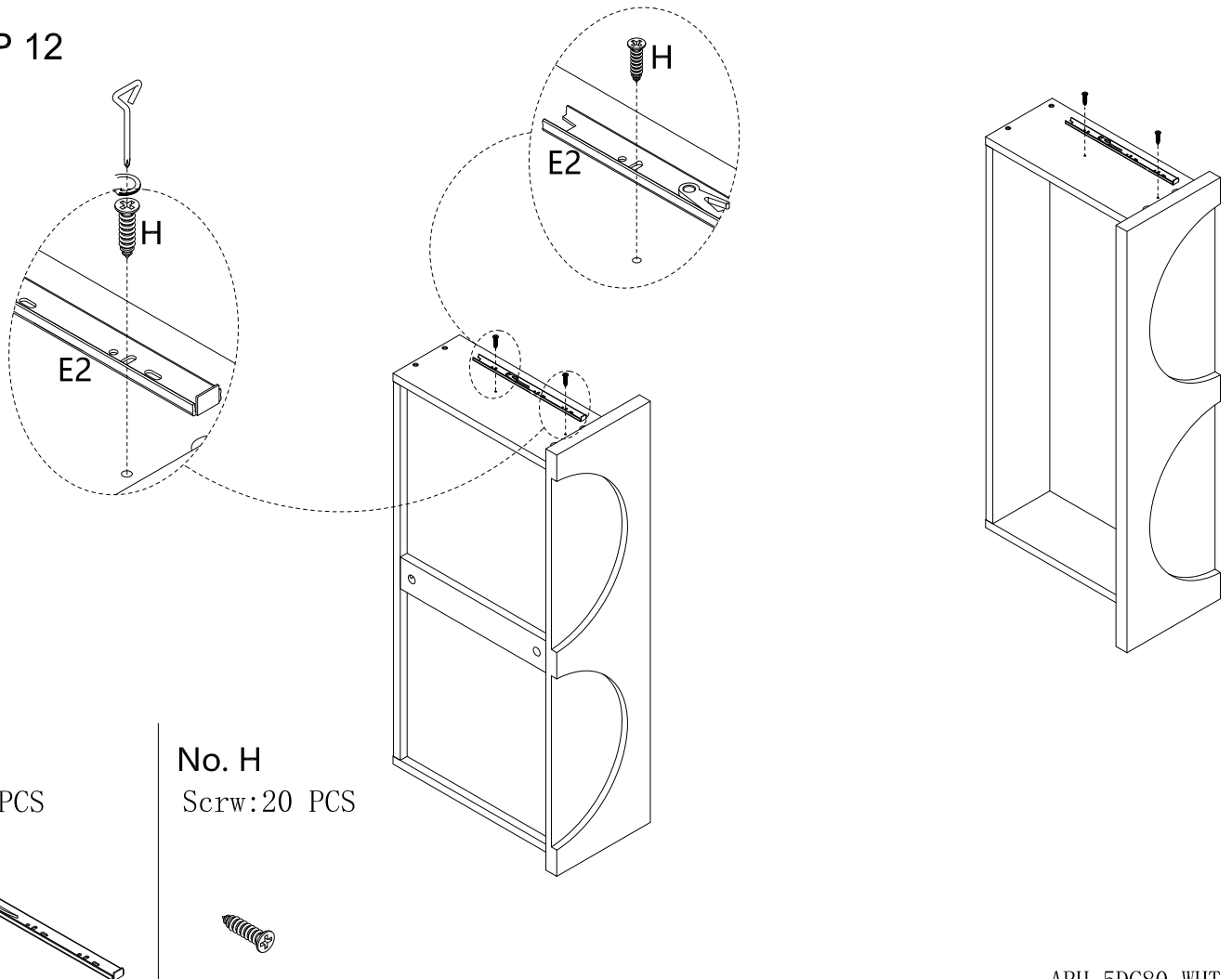
**No. I**  
Quantity:72Pcs



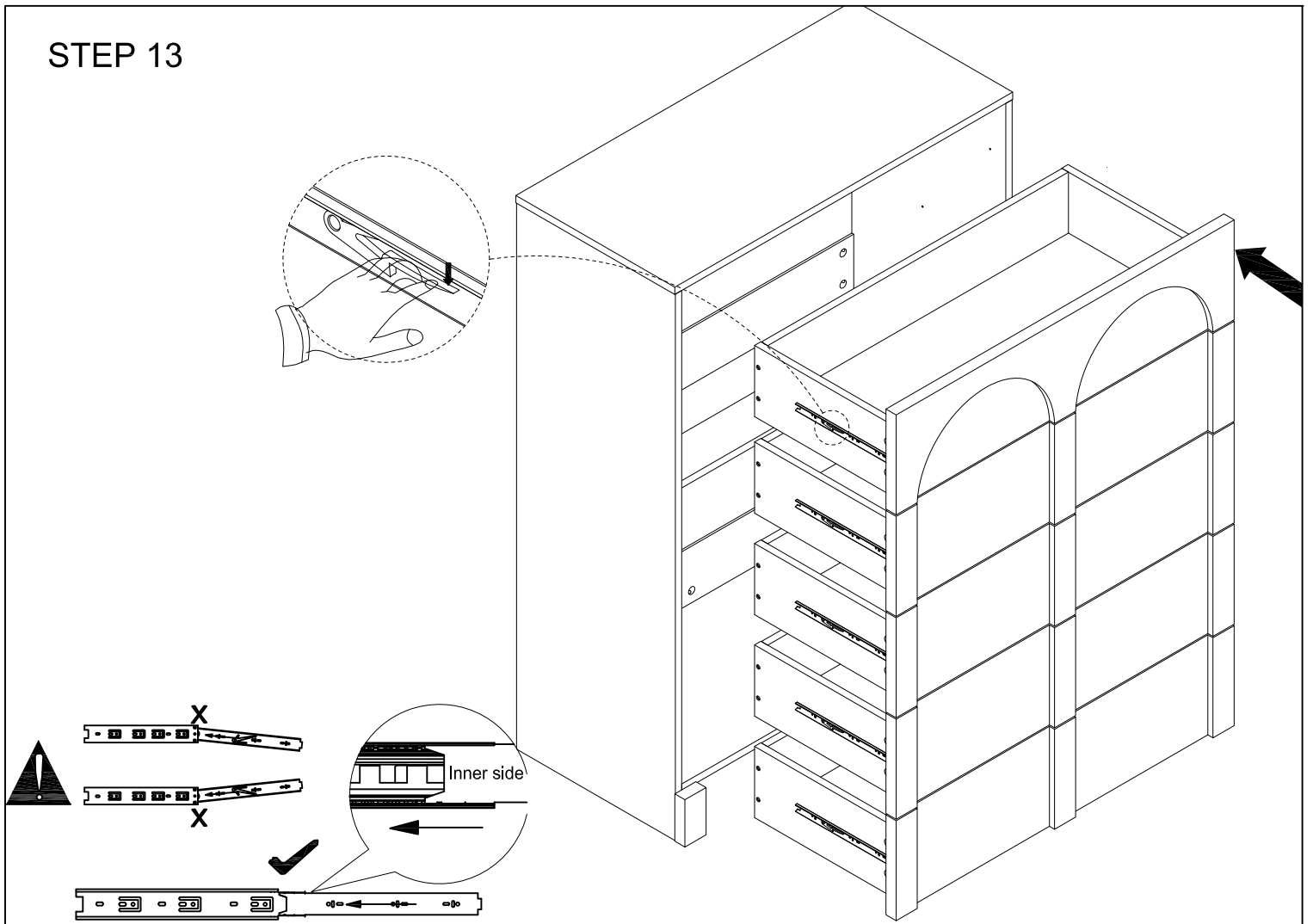
# STEP 11



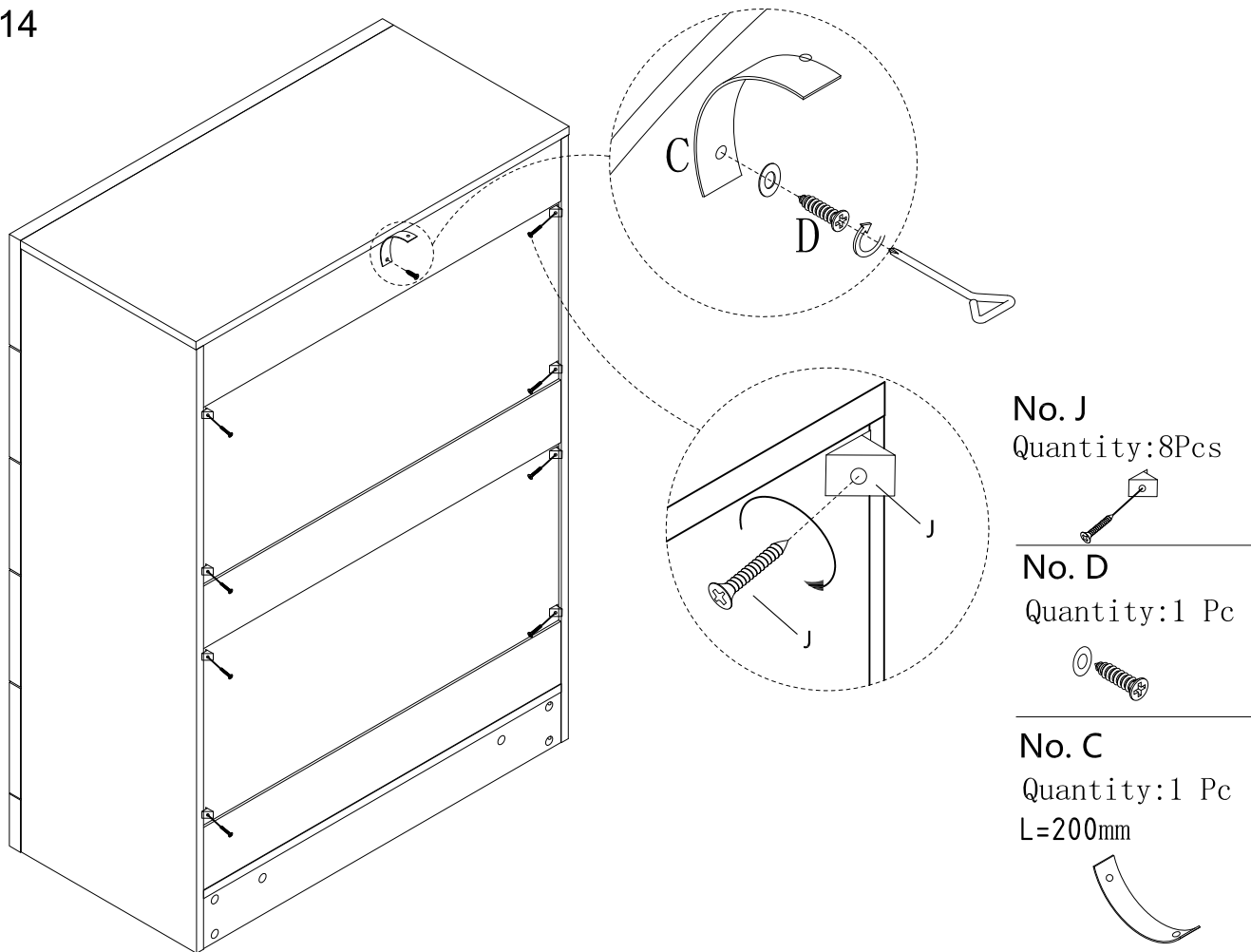
# STEP 12



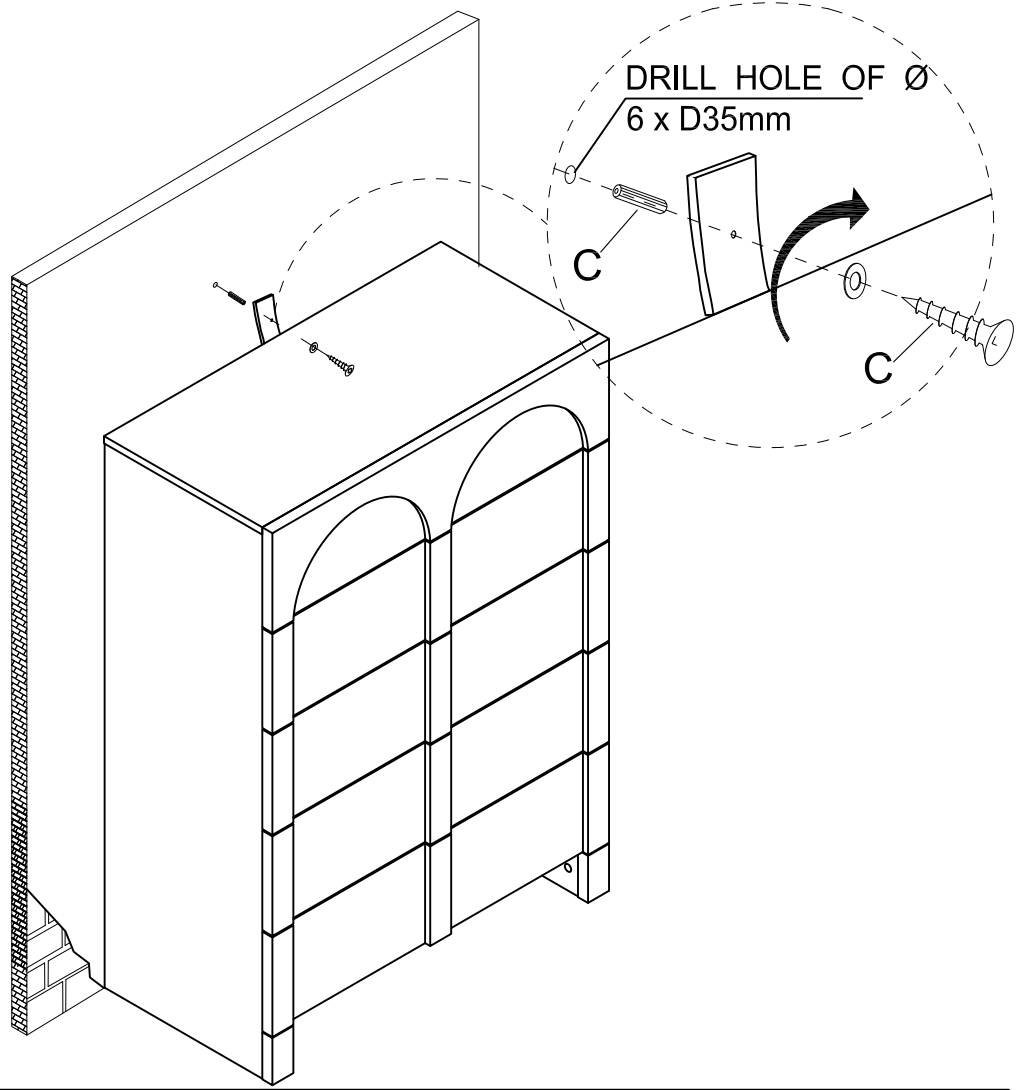
# STEP 13



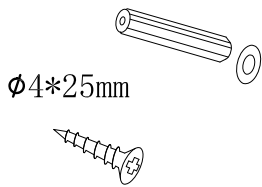
# STEP 14



# STEP 15



No. C  
Quantity: 1 Pc



Great job. You're done!

Don't forget to share how it looks in  
your space and tag us on Instagram.

@lifelyhome #homewithlifely!