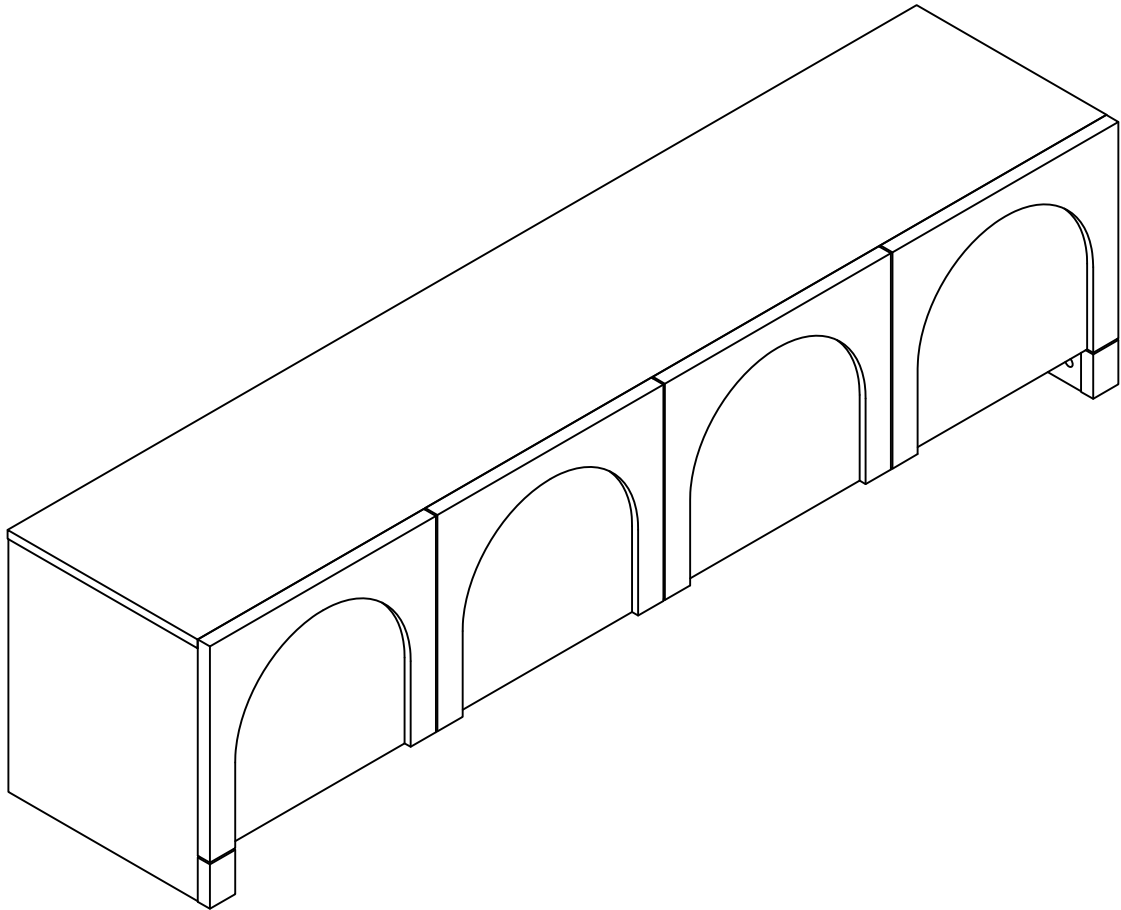


Assembly Instructions

Arch Series



Lifely*

Product Code

ARH-TV180-WHT Arch TV Unit

Dimensions (W x D x H)

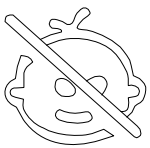
1800*400*450mm

Important

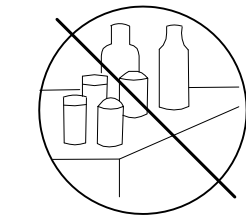
Please read through instruction carefully
Before assembly and keep for future reference.

For our full catalogue of assembly instructions,
Visit: lifely.com.au/assembly.

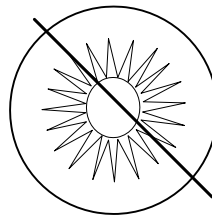
Important Tips and Maintenance



1. Keep children and animals away from working area as smaller parts may cause choking if swallowed.



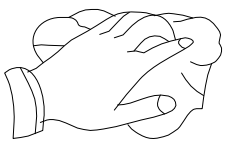
2. Never place liquids or anything damp upon furniture as it will mark. Ensure a coaster or running is beneath.



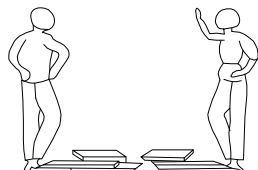
3. Never use ammonia based cleaning products as it will damage the finish.



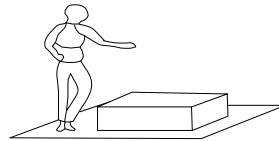
4. To avoid fading, keep furniture out of direct sunlight.



5. Use a soft or damp cloth (dry cloth) when wiping or cleaning surfaces.



6. Two person are required.



7. Lay a soft matt down to protect the furniture piece before and during assembly.

So your relationship is strong. But is it flat-pack furniture strong? Unless you're an aerospace engineer, assembling furniture can be slightly stressful. We recommend meditating quietly, pouring yourself a herbal tea (or slightly less herbal wine) and tackling things one step at a time. If you feel a passive aggressive remark coming on, try a compliment instead. E.g. "You're so good looking."

This 13-step assembly should take around 50 minutes with an Allen key - or 32 minutes with an electric drill.

Designed for everyday

Component Hardware

Please check you have all the fittings
part or tools are listed in below.

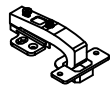
No. A
Quantity:46 Pcs
Cam
 ϕ 15*12mm



No. B
Quantity:46 Pcs
Cam Lock Dowel
 ϕ 7*25



No. C
Quantity:4 PCS
Spring Hinge
 ϕ 35mm



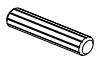
No. D
Quantity:4 Pcs
Spring Hinge
 ϕ 40mm



No. E
Quantity:16 Pcs
Shelf Support



No. F
Quantity:25Pcs
Wood Dowel
 ϕ 8*30mm



No. G
Quantity:1 Pcs
Screw
M6*25mm



No. H
Quantity:48 Pcs
Screw
 ϕ 3.5*14mm



No. I
Quantity:46Pc
Cover
 ϕ 20mm



No. J
Quantity:8Pcs
Angle plastic
 ϕ 3*18mm



No. K
Quantity:1 Pc
Key
5mm



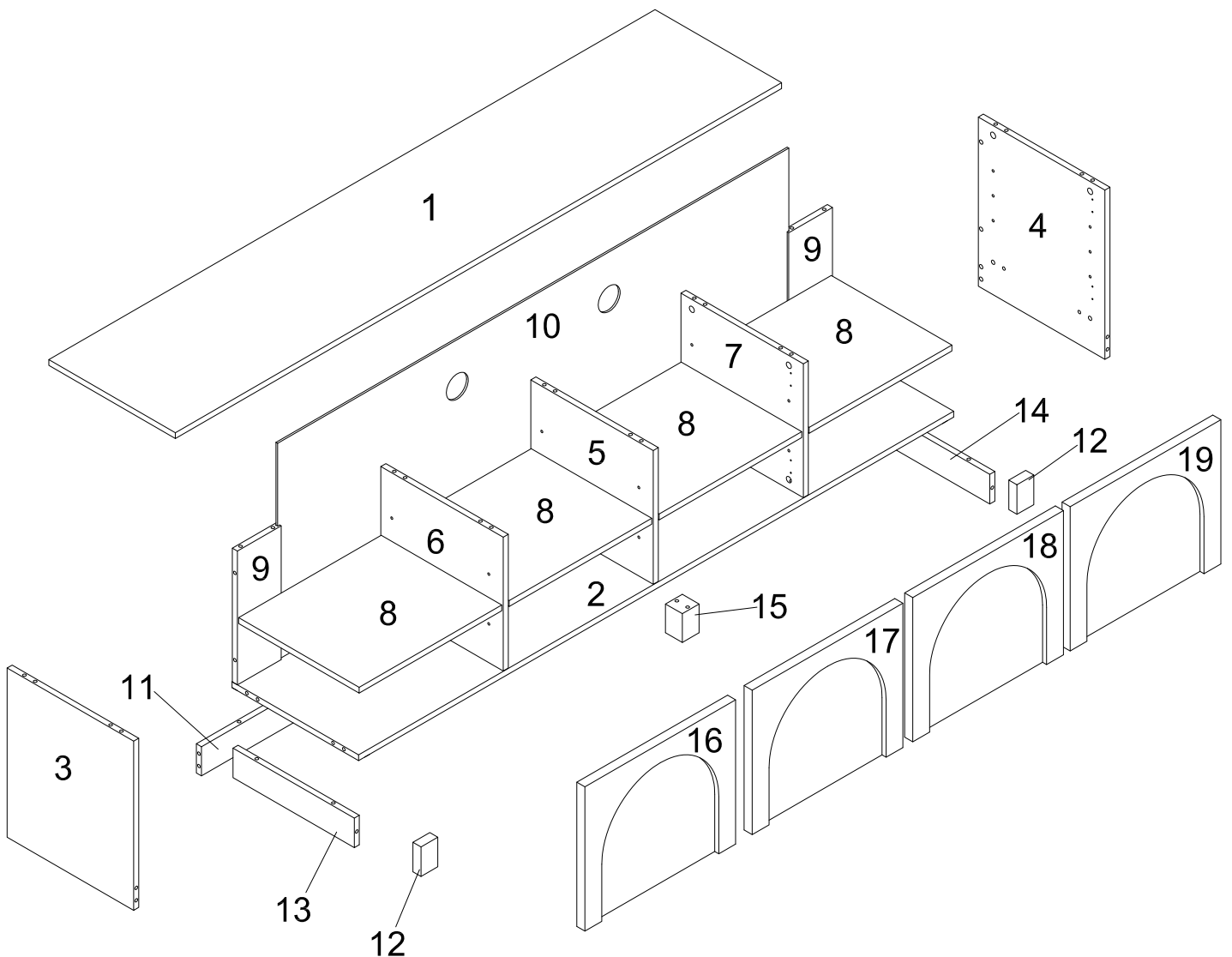
No. L
Quantity:1 Pair
Gloves



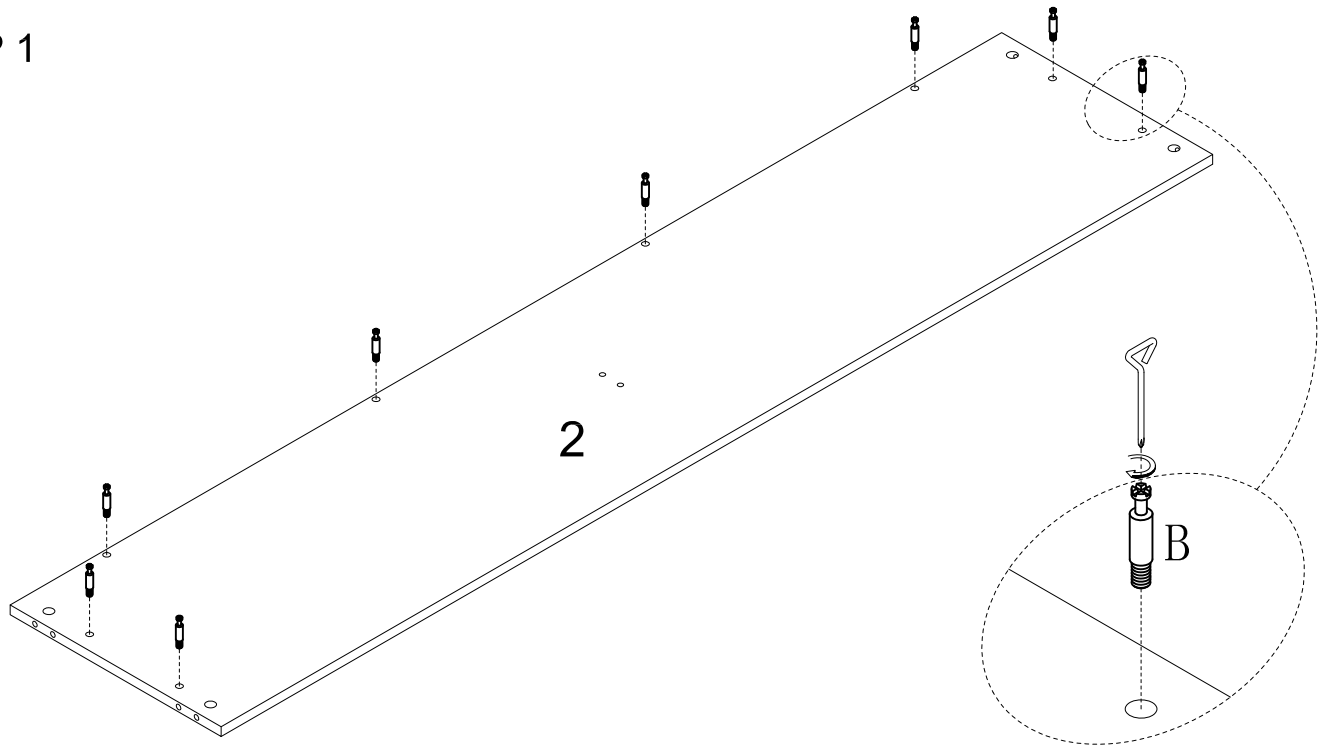
Component Panels & part List

Please check you have all the panels are listed below.

- | | | | | | |
|-----|----------------------------|---------|-----|--------------------------|---------|
| 1. | Top Panel-----x1 | CTN 1/2 | 13. | Bottom-Support Left---x1 | CTN 2/2 |
| 2. | Bottom-----x1 | CTN 1/2 | 14. | Bottom-Support Right--x1 | CTN 2/2 |
| 3. | Sideboard-Left-----x1 | CTN 2/2 | 15. | Leg-Middle-----x1 | CTN 2/2 |
| 4. | Sideboard-Right-----x1 | CTN 2/2 | 16. | Door-Left-----x1 | CTN 2/2 |
| 5. | Sideboard-Middle-----x1 | CTN 2/2 | 17. | Door-Right-----x1 | CTN 2/2 |
| 6. | Sideboard-Left Middle--x1 | CTN 2/2 | 18. | Door-Left Middle----x1 | CTN 2/2 |
| 7. | Sideboard-Right Middle--x1 | CTN 2/2 | 19. | Door-Right Middle----x1 | CTN 2/2 |
| 8. | Shelf-----x4 | CTN 1/2 | | | |
| 9. | Back Support-----x2 | CTN 2/2 | | | |
| 10. | Back Panel-----x1 | CTN 1/2 | | | |
| 11. | Footboard-Back-----x1 | CTN 1/2 | | | |
| 12. | Decorative Panel-Front--x2 | CTN 2/2 | | | |



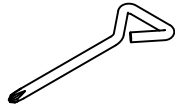
STEP 1



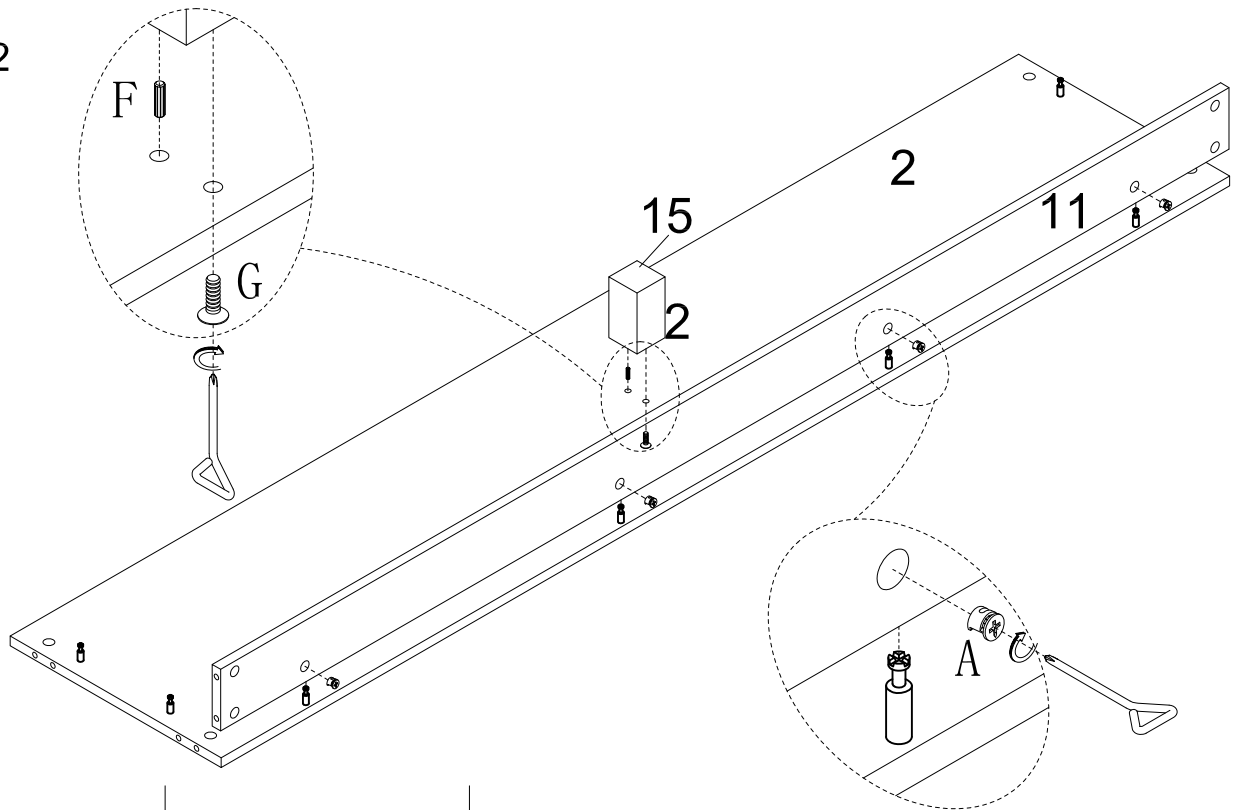
No. B
Quantity:8 Pcs



No. K
Quantity:1 Pc



STEP 2



No. A
Quantity:4 Pcs



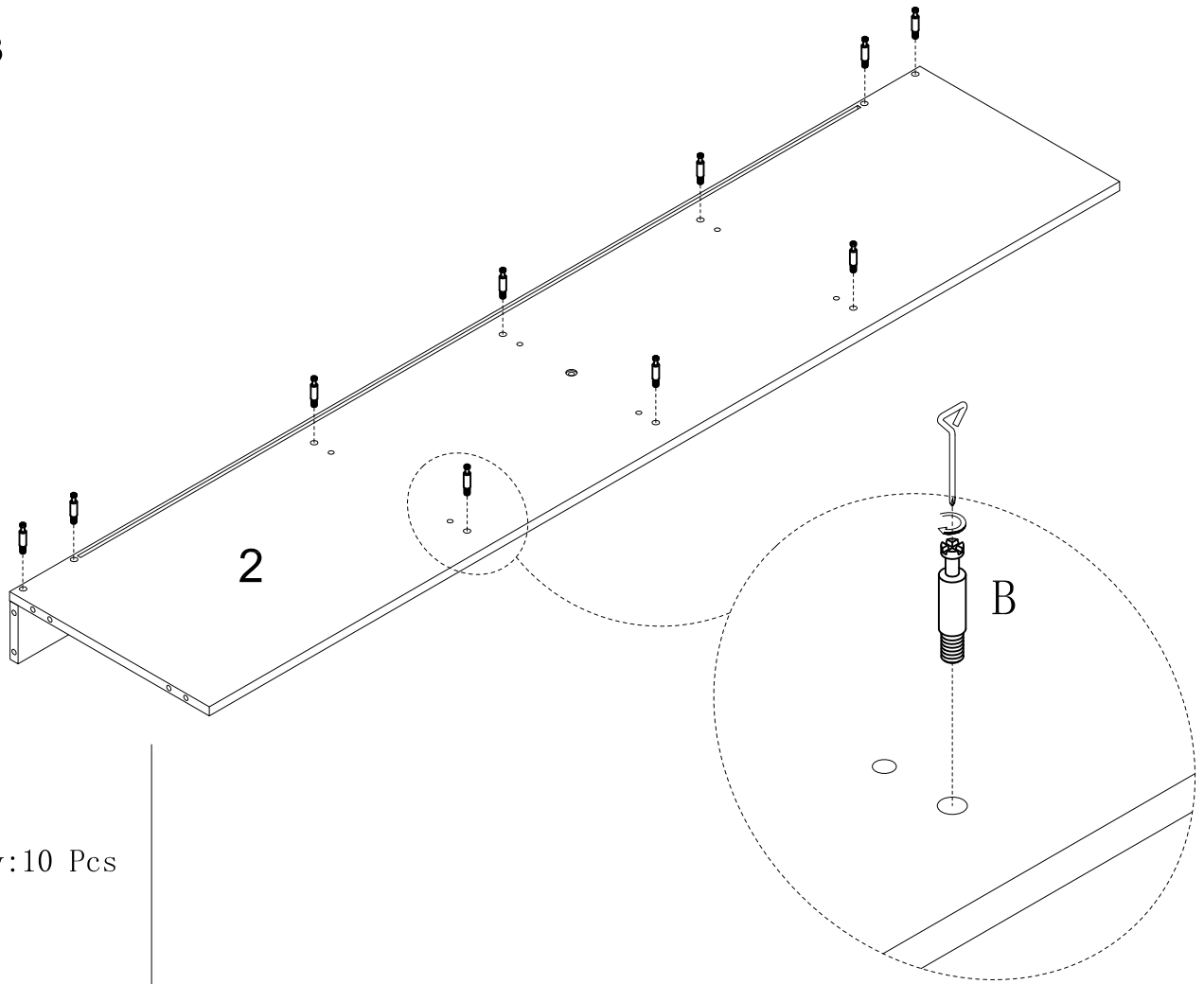
No. F
Quantity:1 Pc



No. G
Quantity:1 Pc



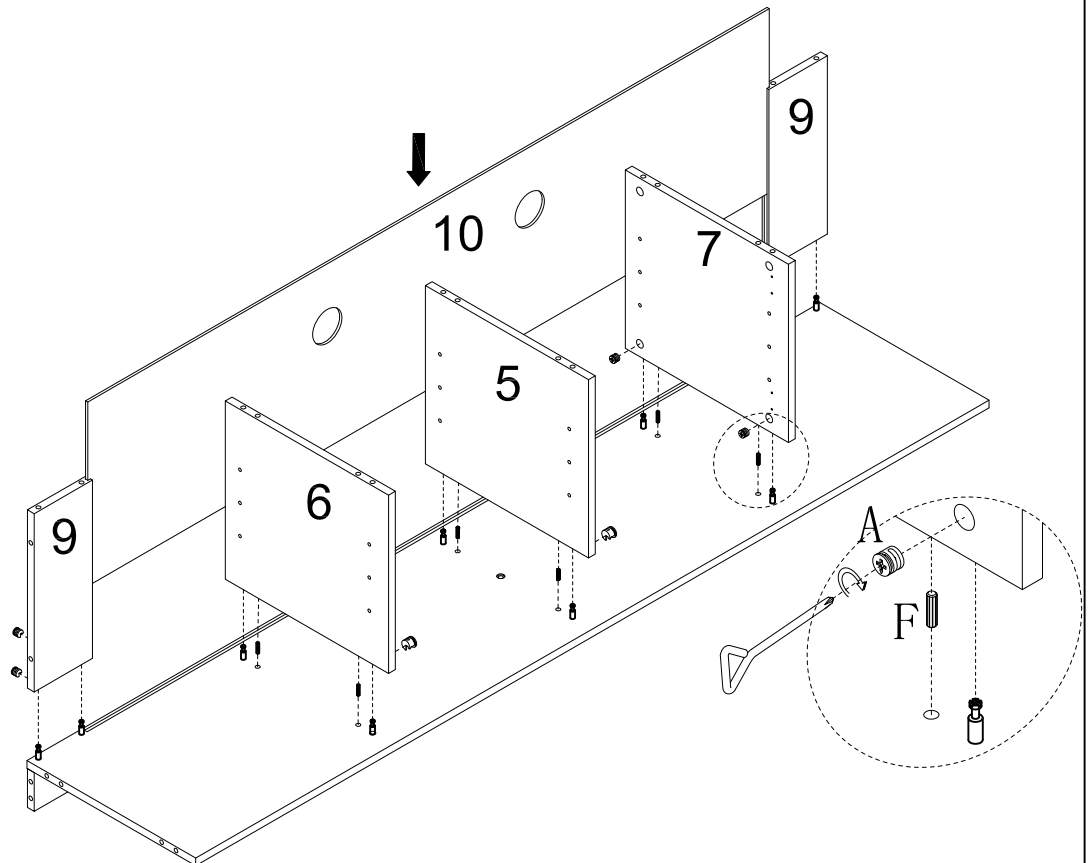
STEP 3



No. B
Quantity:10 Pcs



STEP 4



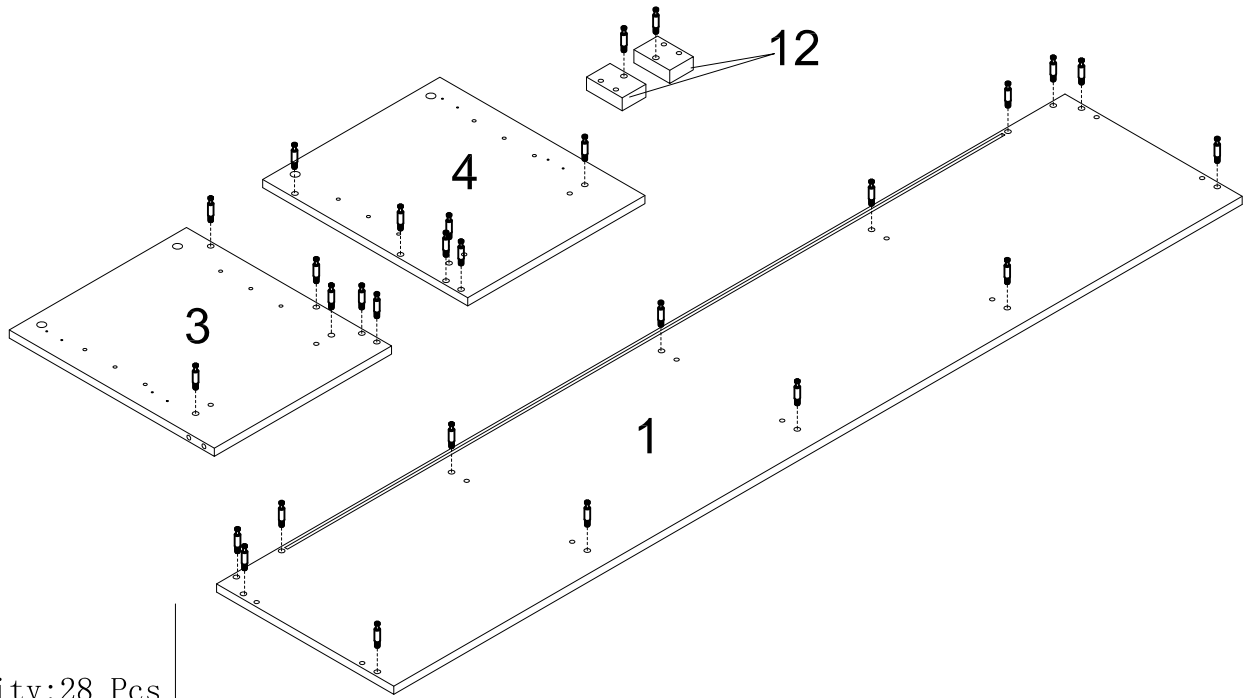
No. F
Quantity:6 Pcs



No. A
Quantity:10 Pcs



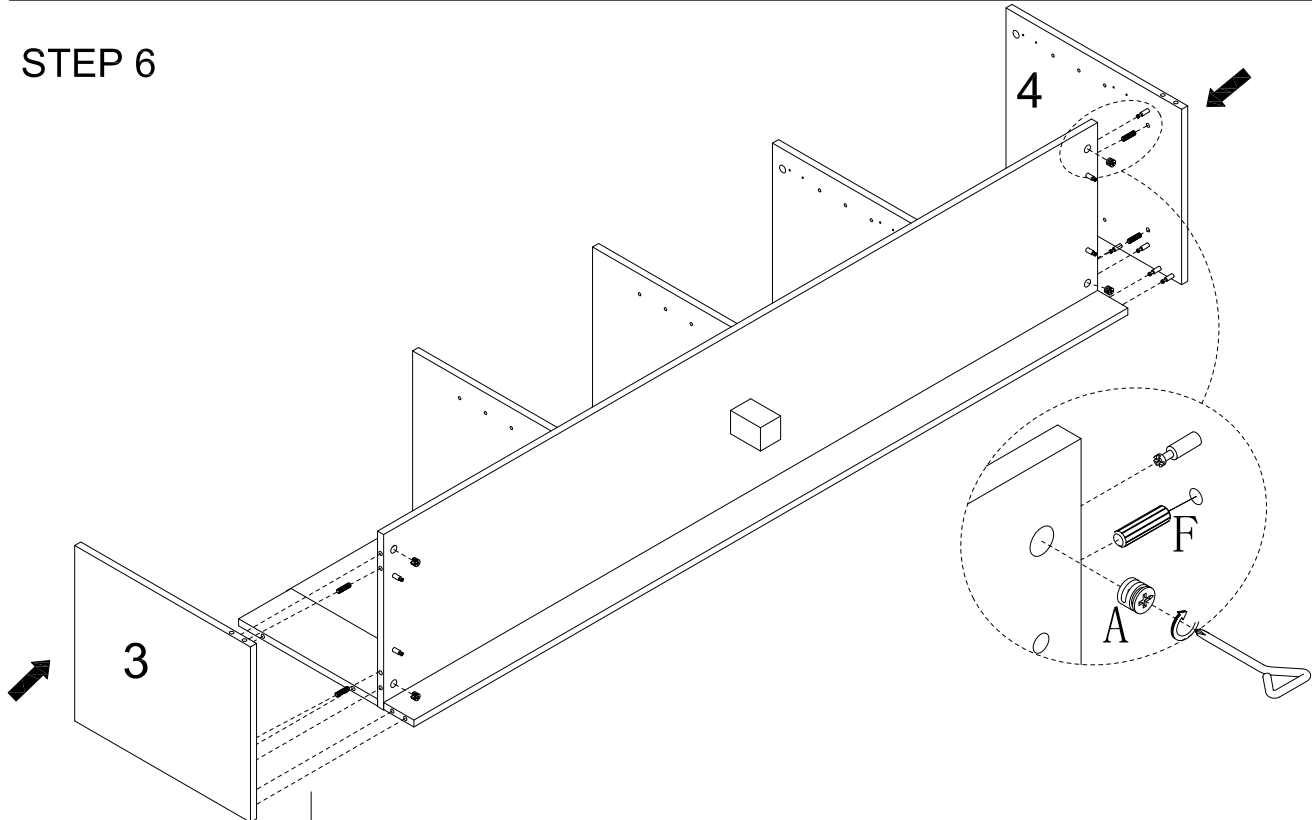
STEP 5



No. B
Quantity: 28 Pcs



STEP 6

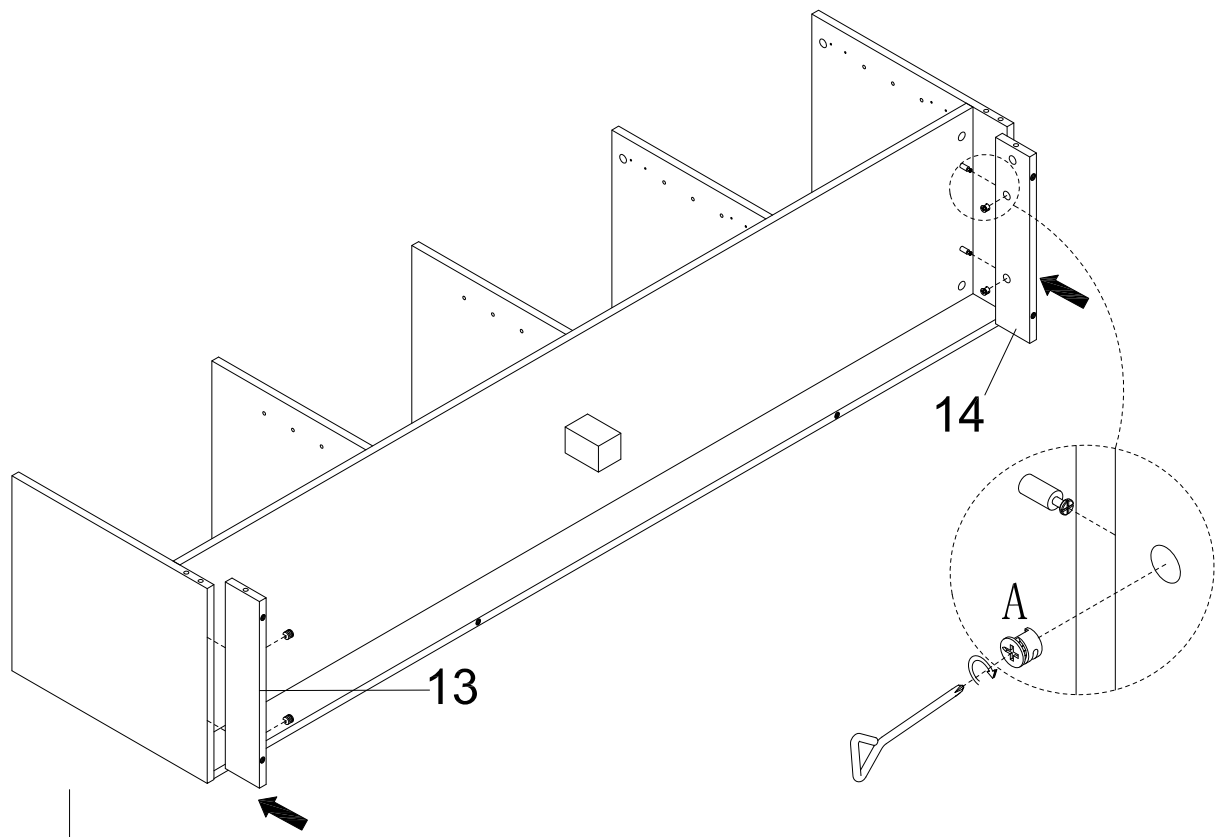


No. A
Quantity: 4 Pcs

No. F
Quantity: 4 Pcs



STEP 7

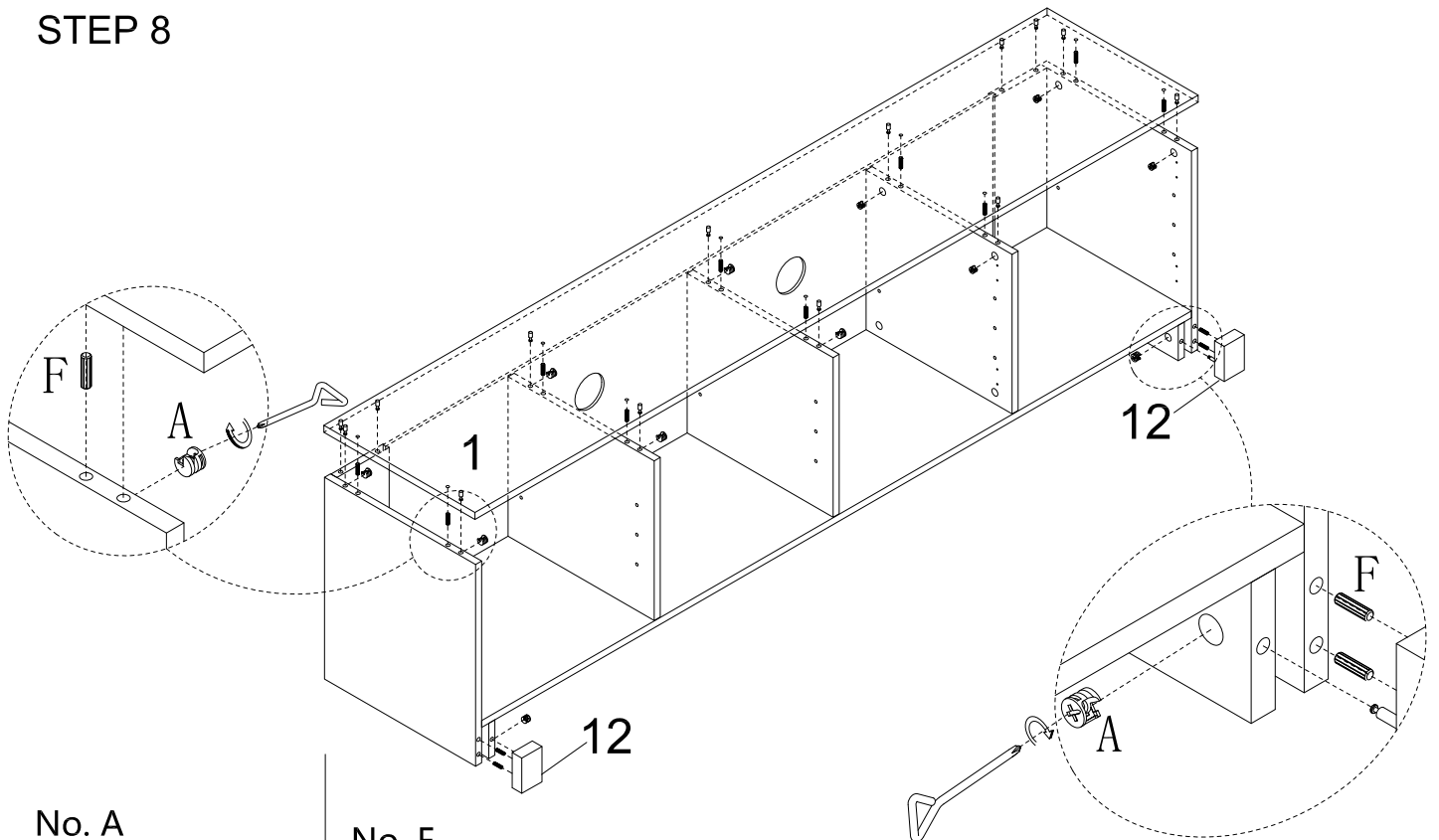


No. A

Quantity: 4 Pcs



STEP 8



No. A

Quantity: 12 Pcs

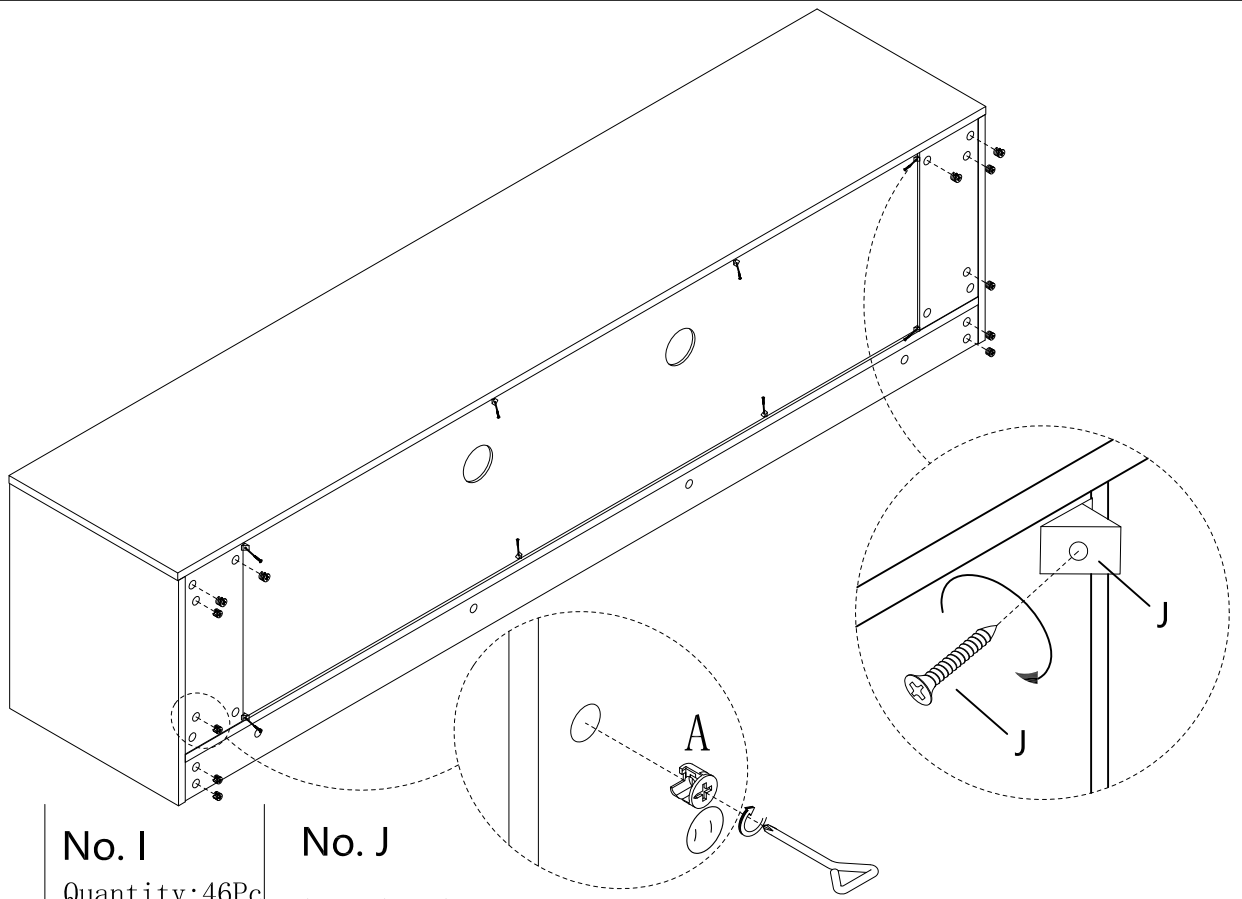


No. F

Quantity: 14 Pcs



STEP 9



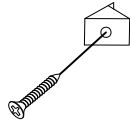
No. A
Quantity:12 Pcs



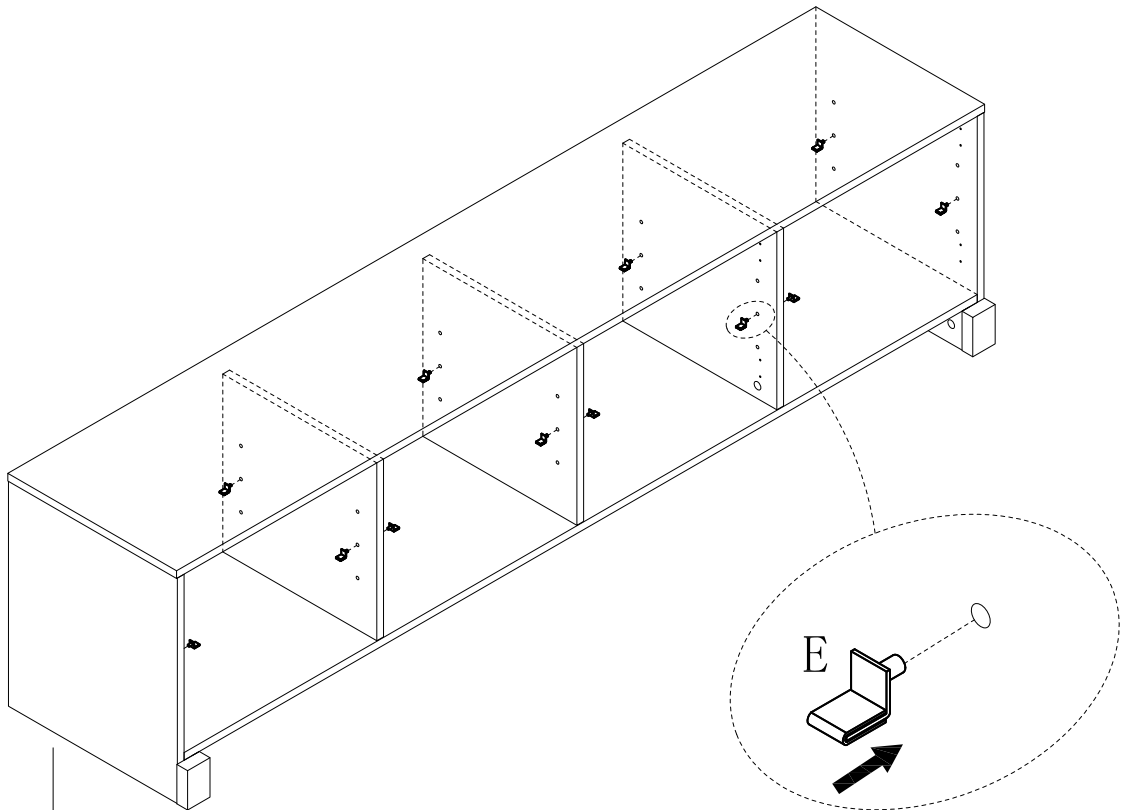
No. I
Quantity:46Pcs



No. J
Quantity:8Pcs



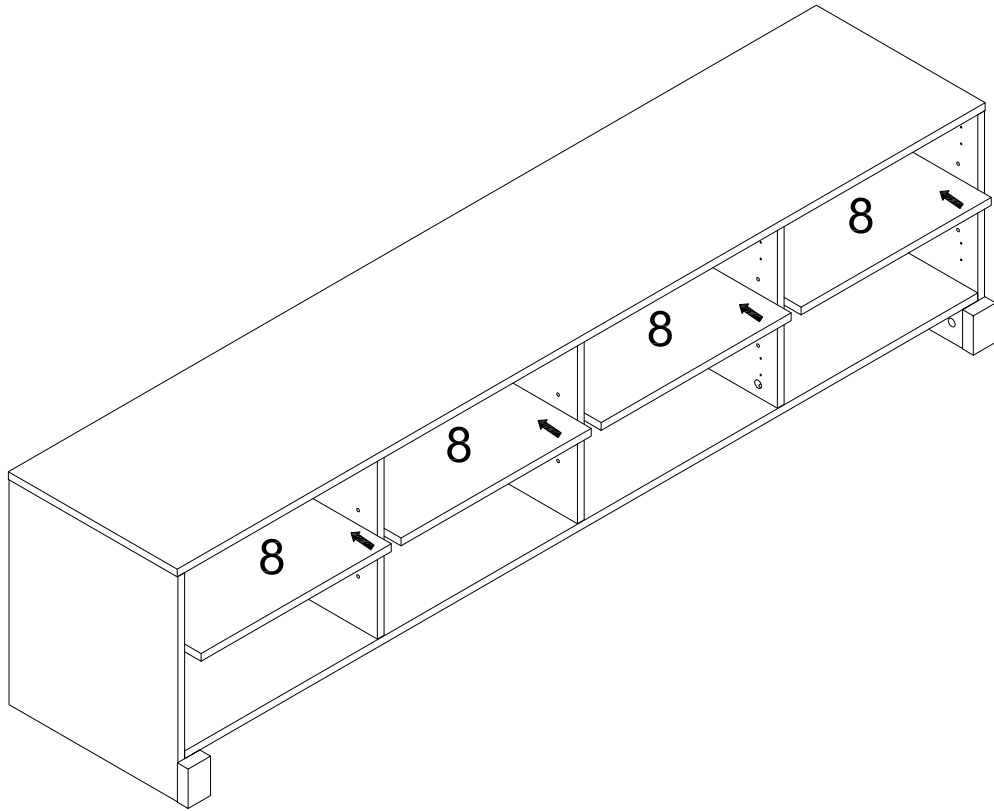
STEP 10



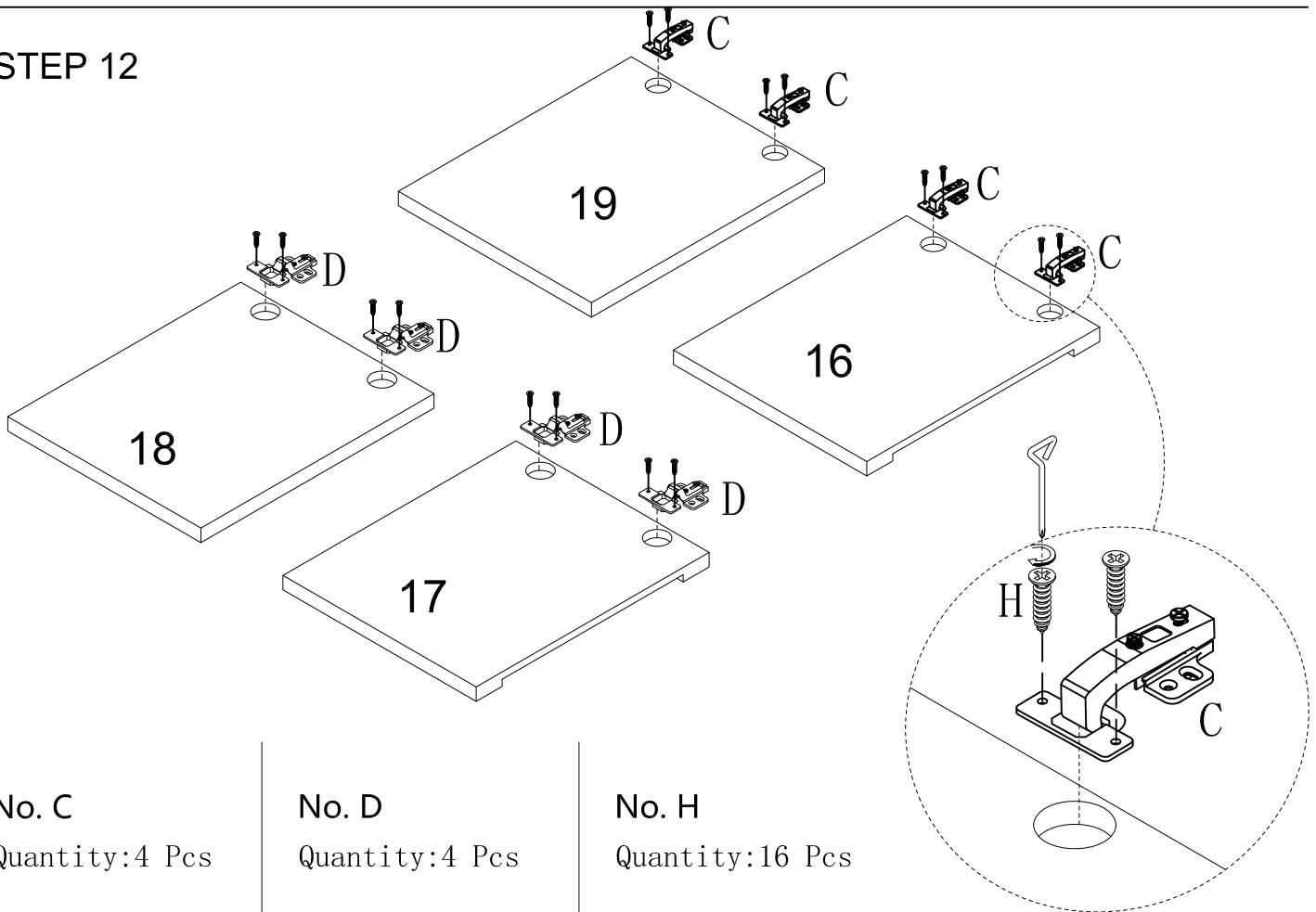
No. E
Quantity:16 Pcs



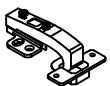
STEP 11



STEP 12



No. C
Quantity: 4 Pcs



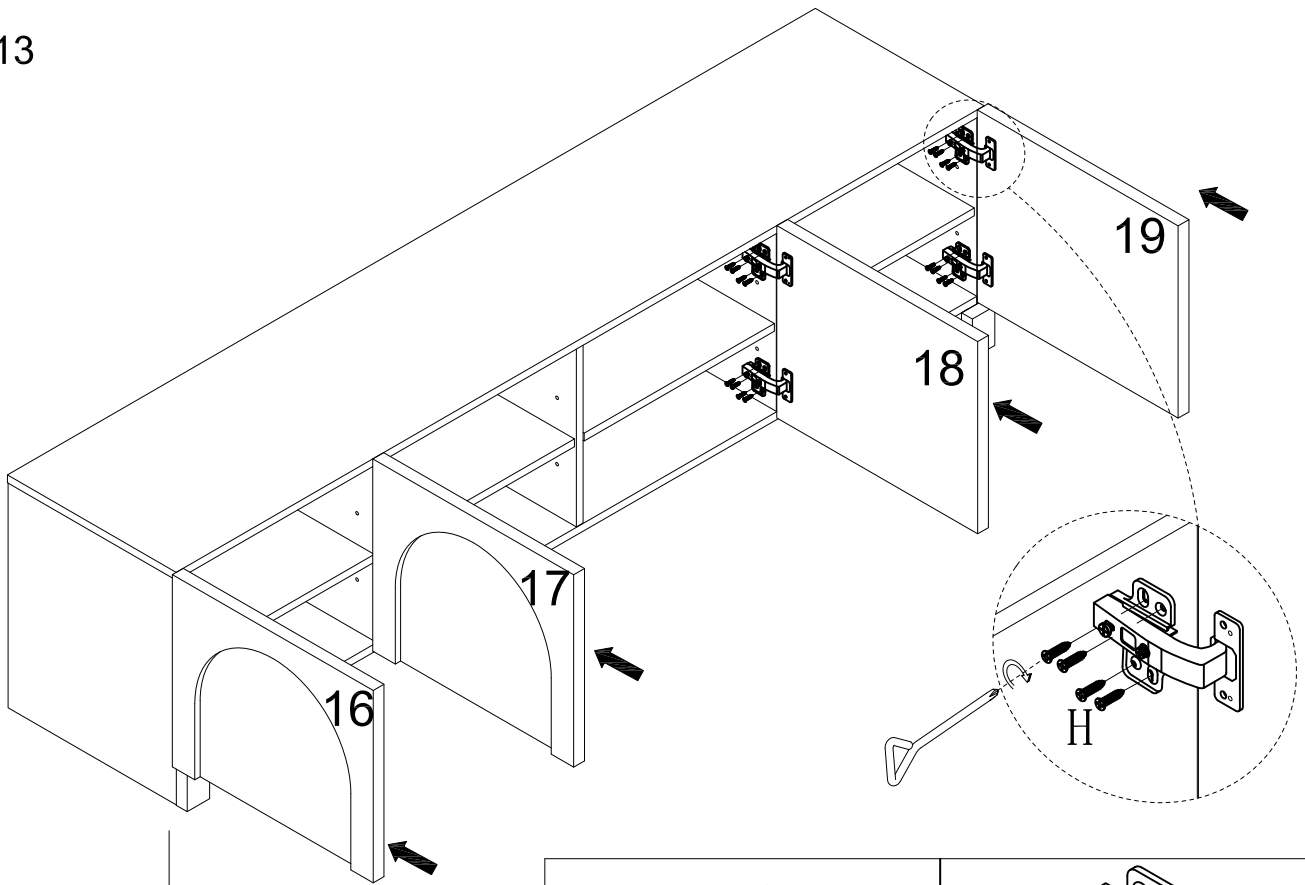
No. D
Quantity: 4 Pcs



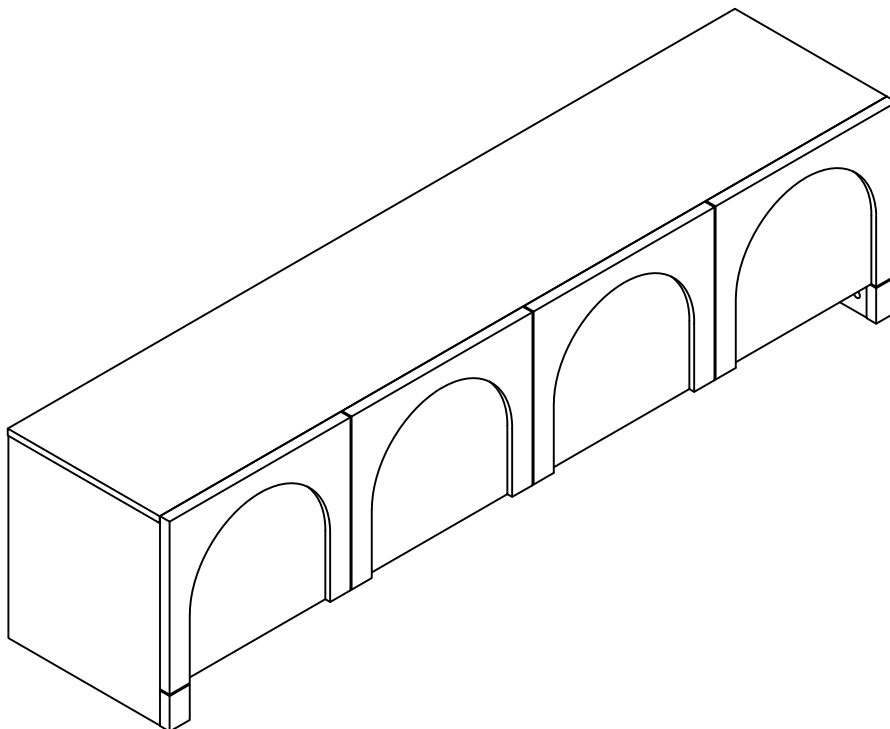
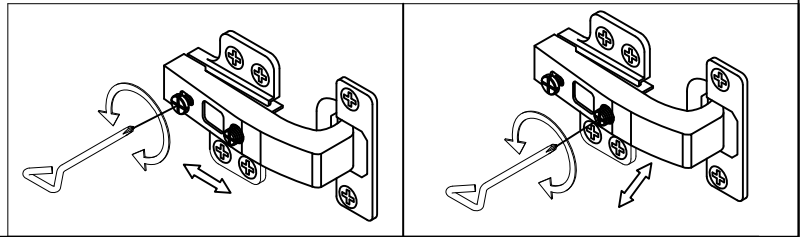
No. H
Quantity: 16 Pcs



STEP 13



No. H
Quantity: 32 Pcs



Great job. You're done!

Don't forget to share how it looks in
your space and tag us on Instagram.

@lifelyhome #homewithlifely!